

# Big Bag Discharge Station

# EasyFlow<sup>®</sup> Dust control



EasyFlow<sup>®</sup>  
Dust-Control Model

## Docking system

### BBD dust control model with docking system

**Rate:** 10 to 20 big bags/hr.

**Weight capacity:** 2 tons/big bag

**Objectives:** total dust control & flexibility of handling big bags

This FIBC unloader ensures the total containment during the big bag discharging step and maintains the big bag spout tension to permit easy flow while providing an ergonomical working station for the operator. Three versions are available: electric hoist, forklift loading or low structure.

### TECHNICAL SPECIFICATIONS

**Flow rate:** 10 to 20 big bags/hr.

**Weight capacity:** 2 tons

**Structural framework manufacturing:** mild steel, 304L stainless steel, 316L stainless steel

**Manufacturing of parts in contact with the product:** steel, 304L stainless steel, 316L stainless steel

**Required rate for dust extraction:** 150 m<sup>3</sup>/hr.\*

\*may vary according to the material

**Ergonomical access to the big bag:** 1.600 - 1.200 mm

### OPERATING SEQUENCE

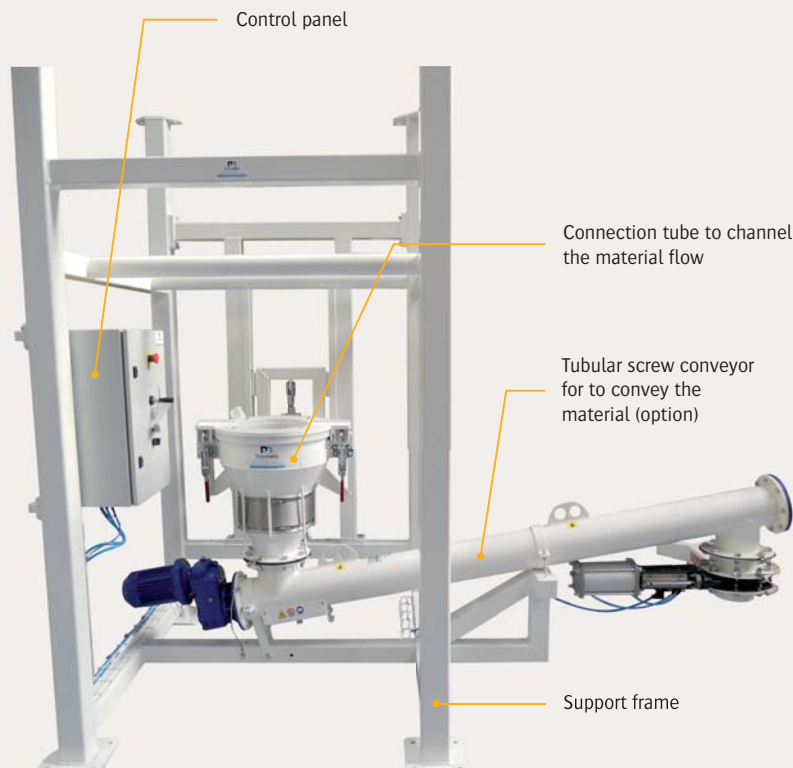
#### IMPLEMENTATION

1. Height adjustment of the connecting tube
2. Positioning the big bag spout into the double envelope tube
3. Set the big bag spout
4. Open the big bag unloading spout
5. 100% containment of the material flow

Equipment

TEST CENTER

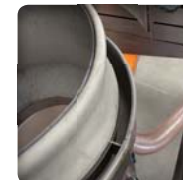
Available



➤ **Total dust containment with tensioning and docking cylinder:** it provides a dust-tight seal with the discharge spout of the big bag and eliminates the potential for contaminants to enter the process. The pneumatic cylinder enables the operator to adjust the connection height to fit different big bag sizes



➤ **Double envelope tube:** it ensures volumes balancing and thus avoids any pressure increase and/or flow problem



➤ **2 possible configurations for connecting the big bag spout:**  
1. The inflatable seal is fitted on the double envelope tube with a reorientation ring  
2. The "pinch" ring is activated manually or by pneumatic cylinders



➤ **Putting big bag under vacuum (optional):** at the end of emptying process, the operator can put the big bag under vacuum using dust collector to avoid dust emanation into production facilities

## Advantages



### Possible loading methods:



Electric hoist



Forklift

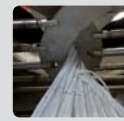


Low structure

## Options



Extractor fan

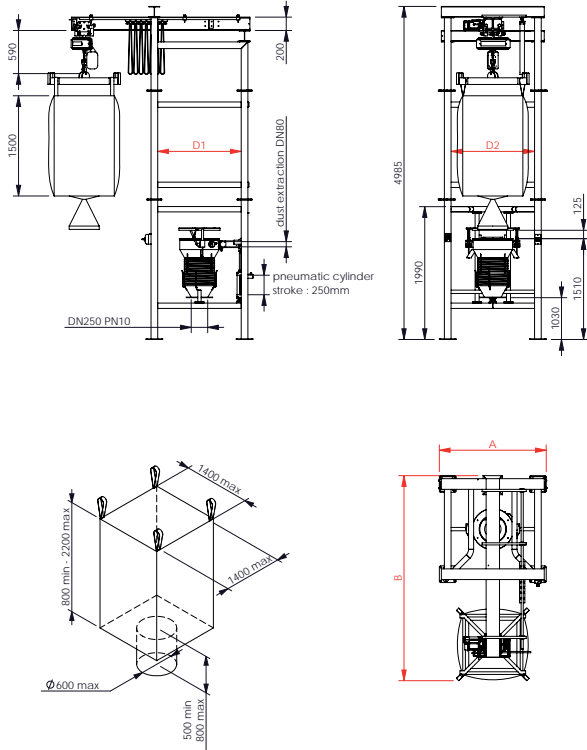


Control valve

See all our options on pages 24-28

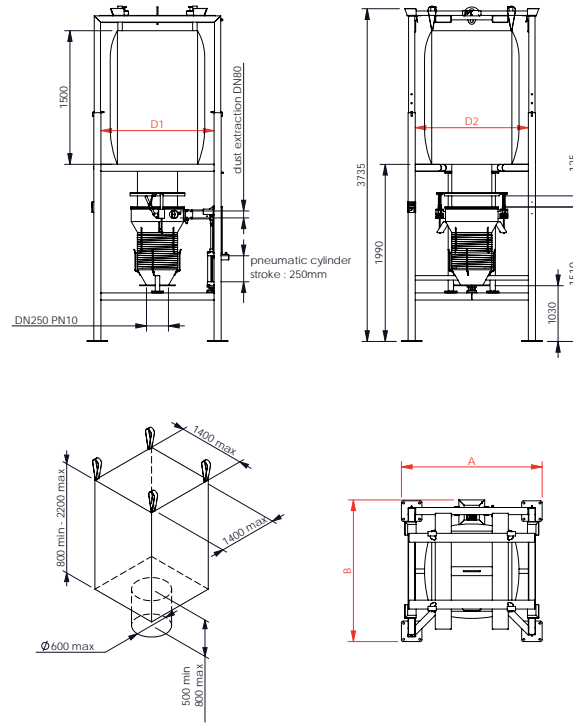
# Big Bag Discharge Station Dust control model Docking system

## Electric Hoist Loading



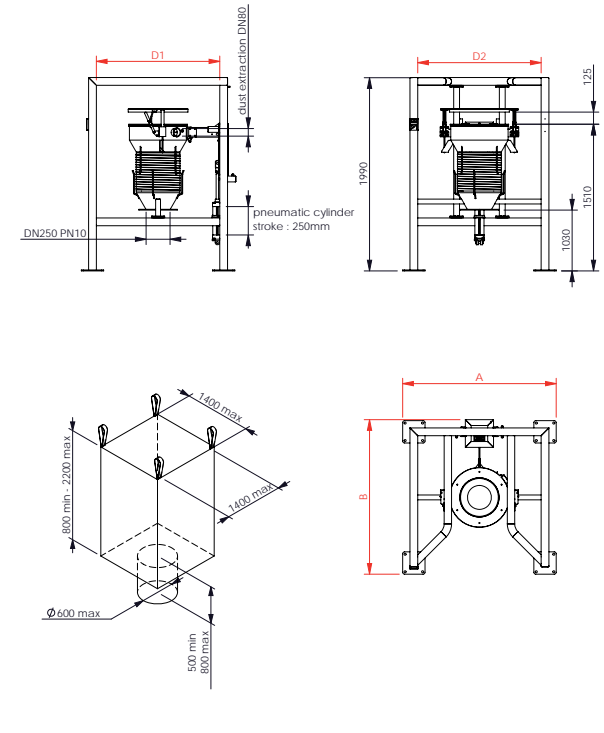
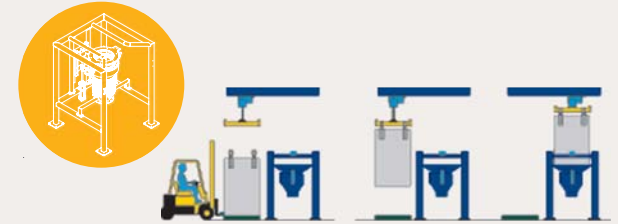
Models	Max. big bag height in mm.	Max. big bag width in mm.	D1	D2	A	B	Weight in kg
VBB125PTUT	2,200	1,150	1,250	1,250	1,600	3,100	1,100
VBB150PTUT	2,200	1,400	1,500	1,500	1,890	3,350	1,580

## Forklift Loading



Models	Max. big bag height in mm.	Max. big bag width in mm.	D1	D2	A	B	Weight in kg
VBB125CTUT	2,200	1,150	1,250	1,250	1,580	1,590	540
VBB150CTUT	2,200	1,400	1,500	1,500	1,830	1,840	800

## Low Structure



Models	Max. big bag height in mm.	Max. big bag width in mm.	D1	D2	A	B	Weight in kg
VBB125BTUT	2,200	1,150	1,250	1,250	1,580	1,590	420
VBB150BTUT	2,200	1,400	1,500	1,500	1,830	1,840	620