

# Sacktip® Enclosed: Manual Bag Dump Station — Dust Containment



Sacktip®

4 Standard Models:  
SE 800 - SE 1000 - SE 1200 - SE 1400

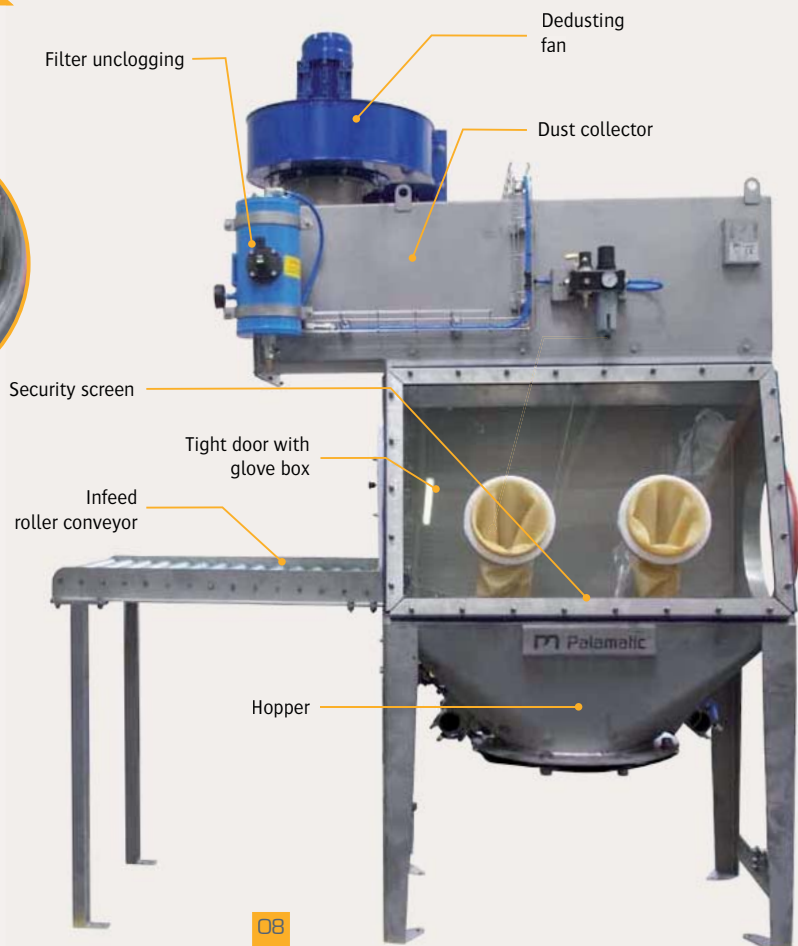
**Rate:** 2 sacks/min.  
**Objectives:** ergonomics and containment for toxic materials

## OBJECTIVES

- . Emptying of toxic or hazardous materials
- . Perfect ergonomics
- . Healthy work environment
- . Advanced dust containment
- . Operators protection from harmful dust

## MANUFACTURING

**Structure and parts in contact with the material:** mild steel, 304L stainless steel, 316L stainless steel  
**Access door:** plexiglass, antistatic lexan, tempered laminated glass  
**Sealing:** EPDM, NBR, natural rubber, silicone  
**Finishes:** customized RAL, peening, electropolishing



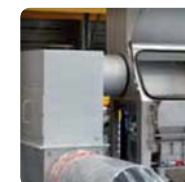
➤ **Glove box** for handling material in a closed and contained area: glass and gloves



➤ **Support** for secured opening tool with support cable



➤ **Mirror-polished finishes** to improve material flow and hygiene. Particularly suitable for the pharmaceutical industry



➤ **Side discharge chute for the bag** to maintain a clean working area and to eject the "dirty" emptied sack in a contained area

## Advantages



## STANDARD MODELS

Models	Length of the sacks (mm.)	Flow required for dedusting nozzle (m³/hr.)	Volume* of the hopper (L) *(volume of water)	Unloading diameter (DN)	Height from ground from drain flange (mm.)
SE 800	650	400	180	250	285
SE 1000	850	500	265	250	285
SE 1200	1,050	600	265	250	285
SE 1400	1,250	700	300	250	285

\*The volume of the hopper is defined according to the process requirements

## ALTERNATIVES

The introduction of sacks can be conducted by a system of sealed lock chamber (alternatives: belt conveyor, roller conveyor ...)



## Options



Lump breaker



Drum unloading

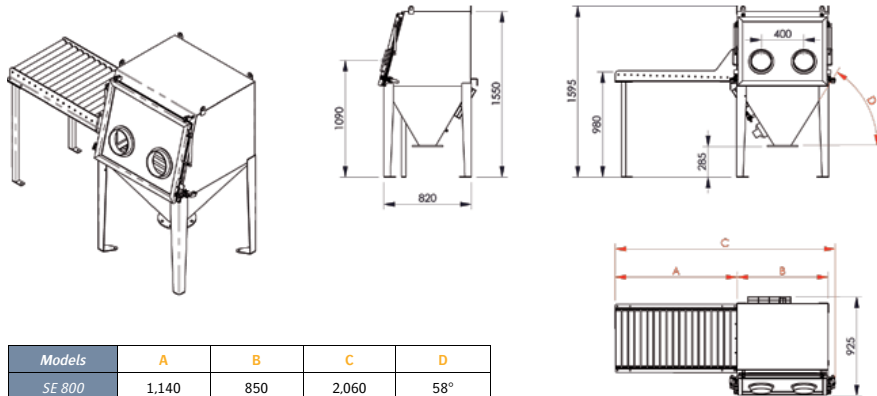
# Sacktip® Enclosed: Manual Bag Dump Station — Dust Containment



Sacktip®  
Enclosed

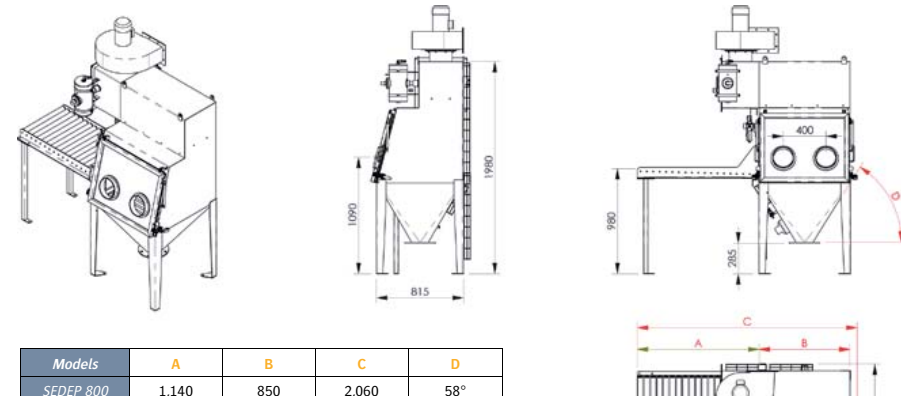
4 Standard Models:  
SE 800 - SE 1000 - SE 1200 - SE 1400

## ▶ CONFINED MANUAL BAG DUMP STATION



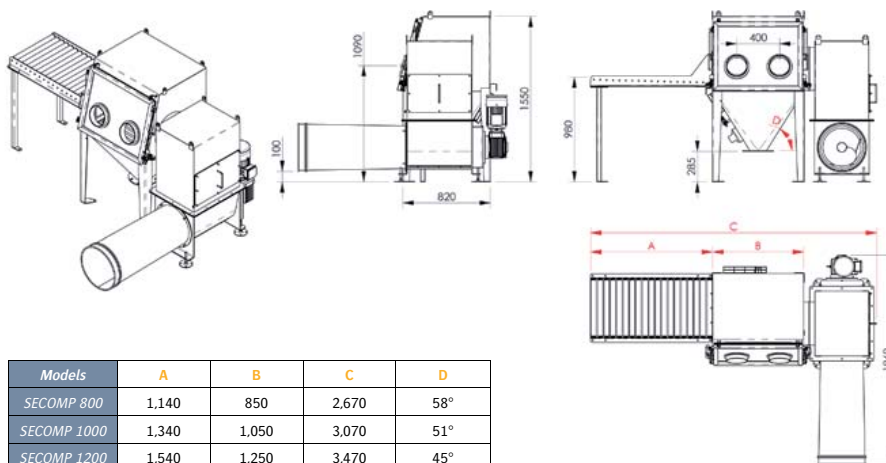
Models	A	B	C	D
SE 800	1.140	850	2.060	58°
SE 1000	1.340	1.050	2.460	51°
SE 1200	1.540	1.250	2.860	45°
SE 1400	1.740	1.450	3.260	41°

## ▶ OPTION: DUST COLLECTOR



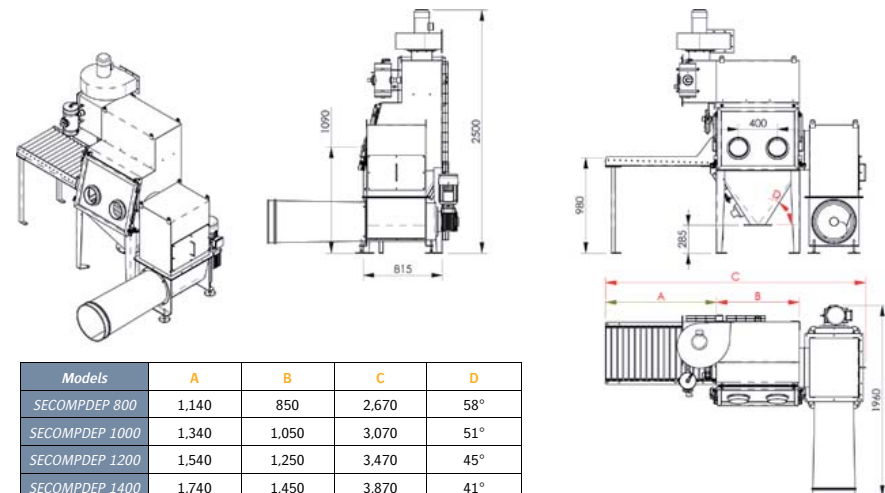
Models	A	B	C	D
SEDEP 800	1.140	850	2.060	58°
SEDEP 1000	1.340	1.050	2.460	51°
SEDEP 1200	1.540	1.250	2.860	45°
SEDEP 1400	1.740	1.450	3.260	41°

## ▶ OPTION: COMPACTOR



Models	A	B	C	D
SECOMP 800	1.140	850	2.670	58°
SECOMP 1000	1.340	1.050	3.070	51°
SECOMP 1200	1.540	1.250	3.470	45°
SECOMP 1400	1.740	1.450	3.870	41°

## ▶ OPTIONS: COMPACTOR AND DUST COLLECTOR



Models	A	B	C	D
SECOMPDEP 800	1.140	850	2.670	58°
SECOMPDEP 1000	1.340	1.050	3.070	51°
SECOMPDEP 1200	1.540	1.250	3.470	45°
SECOMPDEP 1400	1.740	1.450	3.870	41°





## ▶ VACUUM SACK LIFTER

### Easy lifting and handling of the bag.

The manipulator provides the operator with maximal working ergonomics. The problem of load handling is fully resolved with the introduction of this equipment. The manipulator is suitable for all types of bags (materials and weight).



## ▶ GLOVE BOX

### It optimizes containment and enables the handling of toxic materials.

The gloves are set on the door and mounted on PVC glove ports. Spring clips provide containment and closing. A neon facilitates opening operations through the plexiglass. The glove box is designed to allow opening and dumping of the bag and sack contents in a confined environment. The operator is protected from any contact with potential hazardous bulk materials. Also, it prevents the bulk material from contamination or interaction with the outside environment.



## ▶ MAGNETIC BARS

### It guarantees the hygienic process by eliminating foreign substances.

The magnetic bars, installed on the dumping system, preserve the quality of materials brought into your process. The strong magnetic power capacity (13,000 Gauss) can capture the sub-millimeter particles.



## ▶ BELT CONVEYOR

### To provide buffer storage upstream of the unloading system.

The conveyor belt allows operator to make a buffer storage of sacks to optimize the discharge cadences. The layout length and configuration are custom-manufactured to suit your needs and your constraints on site.



## ▶ WEIGHING - DOSING

### To monitor the quantity of the loaded powder, the unloading hopper can be mounted on load cells.

Number of cells: 4  
 Weighing accuracy: < 1kg  
 Implementation: shock absorber + anti-failover device  
 Input signal 4-20 mA  
 Possible profibus communication + RS 232 + Ethernet



## ▶ CIP

### Rotative cleaning nozzles/heads - Clean In Place (CIP).

To ensure the material change without cross-contamination, the washing nozzles are located inside the unloading unit.

Pressure of washing nozzles: 3 bars  
 Technology: fixed or rotating 360°  
 Centralized wirings and connection to the network with a clamp system.



## ▶ VIBRATORS / VIBRATING BIN AERATORS

### They facilitate the flow and discharge of stored materials.

These vibrators transmit multi-directional vibrations to the walls, while the vibrating bin aerators combine a fluidization effect against the inner walls of the hopper.

These devices allow proper flowing of your bulk materials. They help break vaults or chimneys and greatly reduce retention.



## ▶ AUTOMATIC CUTTING SYSTEM FOR SACKS

### This system ensures maximum ergonomics and safety by preventing the operator from cutting and turning the bag.

A blade actuated by a pneumatic cylinders penetrates the bag through the grid. The operation is secured with a safety switch fitted on the door or with hand control.



## ▶ LUMP BREAKER

### Our lump breakers are the ideal solution to crush materials that tend to form lumps.

Your materials stored in bags may tend to make lumps during storage. It is then sometimes imperative to standardize the powder particle size in order to allow its use in the downstream process, such as pneumatic conveying or introduction into a reactor or a mixer.



## ▶ SACK COMPACTOR

### Protect the operator against potential exposure to dust during unloading.

The PALAMATIC PROCESS sack compactor enables reducing of the waste volume and maintains healthy, dust-free environment. It can be mounted on one of the hopper sides. The compacted sacks are contained within a polyethylene sheath (up to 60 sacks/m. - depending on the size and type of sacks).

It may be positioned on the left, on the right or at rear of the unloading unit, with three possible positions for each of these orientations.