

FlowMatic® 05 - LT*

GROSS WEIGHT - COMMERCIAL WEIGHING



05

Rate: 10 to 30 big bags/hr.
Weight capacity: 2 tons/big bag
Objectives: hygienic & ergonomic system for operators

* Lifting Table

GROSS WEIGHING FILLING UNIT WITH SUSPENDED BIG BAG

The FlowMatic® 05 model is an effective and flexible solution for bulk packaging that are subject to strong hygiene constraints: the weighing system is implanted on the filling head which reduces retention areas on the ground. The big bag can be lowered with a lifting table and automatic hooks.

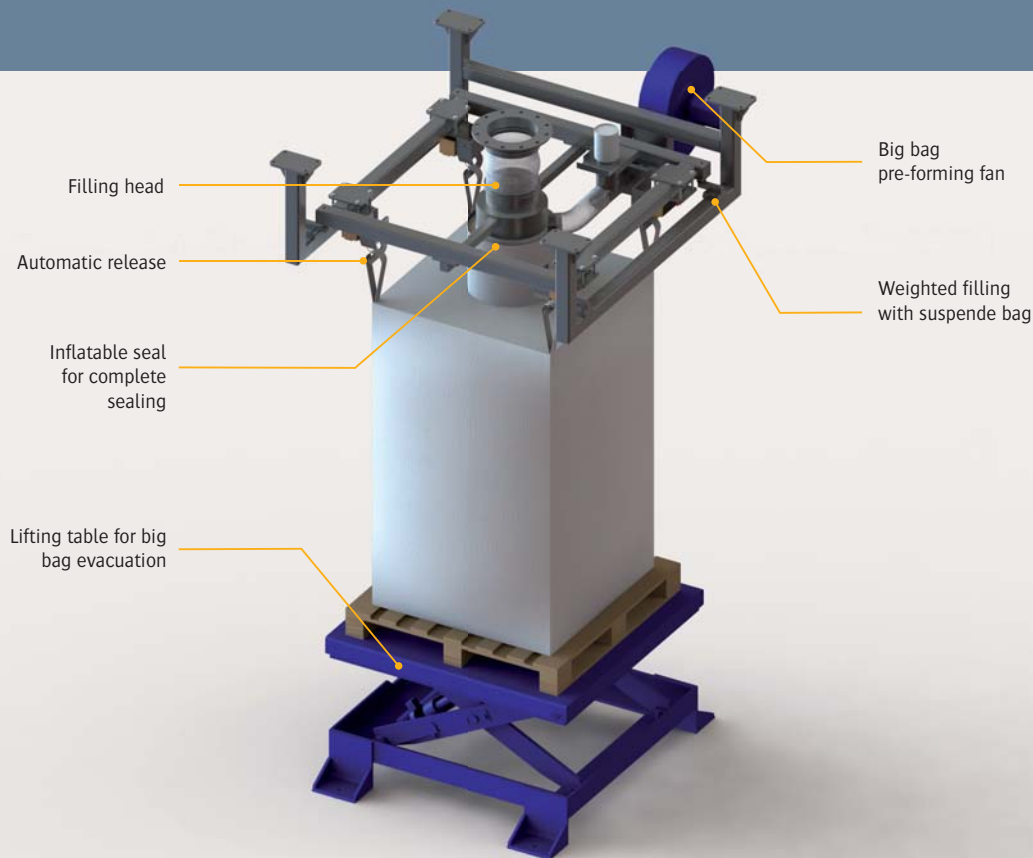
TECHNICAL SPECIFICATIONS

Flow rate: 10 to 30 big bags/hr.
Manufacturing materials: mild steel, SS 304L, SS 316L
Finishes: RAL 9006, micro-blasted, electropolishing
Installed power: 1.6 kW
Average power consumption: 0.2 kW
Compressed air consumption: 2.9 Nm³/hr.
Service pressure: 6 bars
Input 4 - 20 mA: 1
Input TOR: 3
Output TOR: 5
Weighing precision: ± 500 grams
Dust collecting rate: 300 m³/hr.
Maximum dimensions of big bags:
Length x width x height: 1,550 x 1,550 x 2,400 mm

OPERATING SEQUENCE

AVERAGE TIME FOR A COMPLETE CYCLE: 2 MIN.

1. The big bag is placed on the filling station
2. The big bag inlet is connected to the filling head by an inflatable gasket ensuring the sealing
3. A fan inflates and shapes the big bag
4. Another fan is used to exhaust the air through a reverse jet filter
5. Big bag filling process at high flow rate
6. Weighing control: low filling flow rate to adjust final dosing
7. When the big bag filling sequence is completed, the lifting table is raised, the sealing gasket is deflated and the big bag is automatically released
8. Lowering the lifting table
9. Use a forklift to transport the pallet containing the big bag



▶ **Automatic release:** process time optimization



▶ **Suspended structure** facilitates floor cleaning

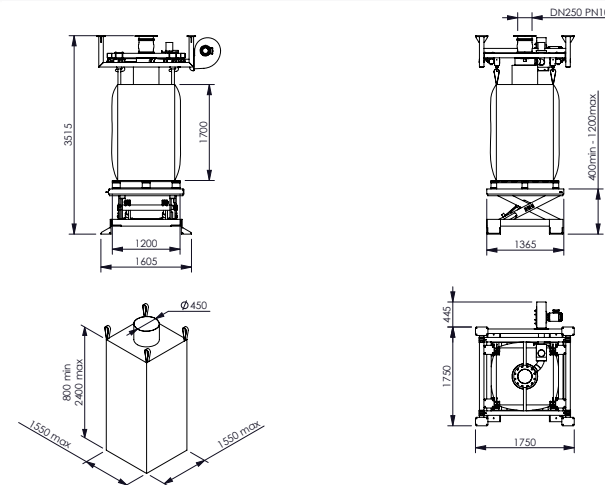


▶ **Filling head with double envelope** enables big bag air discharging through degassing line during the filling



▶ **Inflatable seal** to ensure dust containment for a clean workplace

Advantages



Options



Operator access platform



Vibrating table

FlowMatic® 05 - HC*

GROSS WEIGHT - COMMERCIAL WEIGHING



05

Rate: 10 to 30 big bags/hr.
Weight capacity: 2 tons/big bag
Objectives: hygiene & ergonomics for the operators

*Hydraulic Cylinder

GROSS WEIGHING FILLING UNIT WITH SUSPENDED BIG BAG

The FlowMatic® 05 model is an effective and flexible solution for bulk packaging that are subject to strong hygiene constraints: the weighing system is incorporated in the filling head which reduces retention areas on the ground. The big bag is designed to be actuated by a hydraulic cylinder.

TECHNICAL SPECIFICATIONS

Flow rate: 10 to 30 big bags/hr.
Manufacturing materials: mild steel, SS 304L, SS 316L
Finishes: RAL 9006, micro-blasted, electropolishing
Installed power: 1.6 kW
Average power consumption: 0.2 kW
Compressed air consumption: 2.9 Nm³/hr.
Service pressure: 6 bars
Input 4 - 20 mA: 1
Input TOR: 3
Output TOR: 5
Weighing precision: ± 500 grams
Dust collecting rate: 300 m³/hr.
Maximum dimensions of big bags:
Length x width x height: 1,550 x 1,550 x 2,400 mm

OPERATING SEQUENCE

AVERAGE TIME FOR A COMPLETE CYCLE: 2 MIN.

1. The big bag is placed on the filling station
2. The big bag inlet is connected to the filling head by an inflatable gasket ensuring the sealing
3. The big bag is raised
4. A fan inflates and shapes the big bag
5. Another fan is used to exhaust the air through a reverse jet filter
6. Big bag filling process at high flow rate
7. Weighing control: low filling flow rate to adjust final dosing
8. When the big bag filling sequence is completed, the hydraulic cylinder is lowered, the sealing gasket is deflated and the big bag is automatically released
9. The big bag can be removed using either a forklift or a pallet truck



▶ **Big bag removal** with pallet truck or lift truck



▶ **Big bags stacking** for space optimization

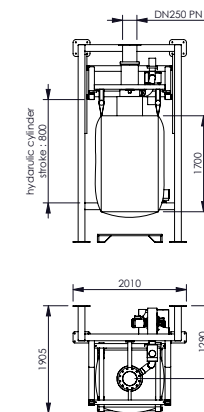
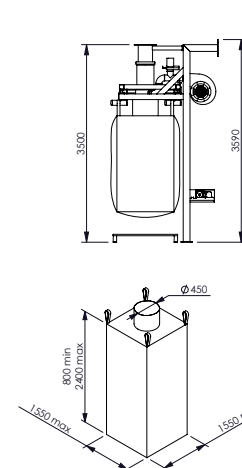


▶ **Hygienic design:** the low ground coverage facilitates the cleaning process



▶ **Inflatable seal** to ensure dust containment for a clean workplace

Advantages



Options



Automatic big bag release



Magnetic detector