

Vibrating Conveyor



Capacity: up to 20 m³/h.
Elevation: 8 degrees max.
Applications: conveying and dosing
Manufacturing: mild steel/stainless steel

VIBRATING CONVEYOR FOR BULK MATERIALS CONVEYING AND DOSING

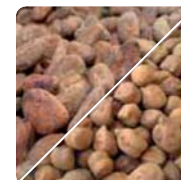
By controlling the vibration amplitude, the conveying is performed with gentle handling. The complete absence of mechanical parts in contact with the material allows hygienic applications and simple cleaning phases. The vibrating conveyor is the ideal solution to ensure hygiene and soft handling of fragile products.

OPERATING MODE

The vibrating conveyors are installed in bulk material handling processes to ensure the dosing or the constant feeding of a machine. All versions use the same principle: a trough fitted with a vibrator for the transport and that is suspended at four points, insulating the conveying device from the structure.



➤ **Dosing or conveying applications**



➤ **Ideal for high particle size materials**



➤ **Respect of delicate materials**



➤ **Not much mechanics, low maintenance = easy cleaning**

Advantages



➤ **Extremity hatch for inspection and cleaning**



➤ **Installation on springs to ensure optimum insulation with high amplitude**



➤ **Vibrating motor set on the tube with reinforcing barrel for power transmission**

SETTINGS



➤ **Microdosing**
For sprinkling and dosing applications



➤ **Custom made manufacturing**
Example: capsules calibrator



➤ **Trough manufacturing**
Open or tight trough



➤ **Implantation**
Suspended or on the floor trough

SILENT BLOCK AND SILENT BLOCK WITH SPRINGS

Depending on the application, the stiffness and the damping system are adapted.

Standard devices:

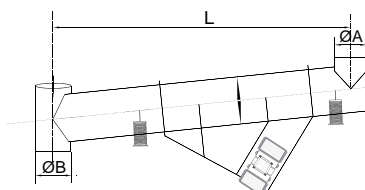


➤ **Silent block**

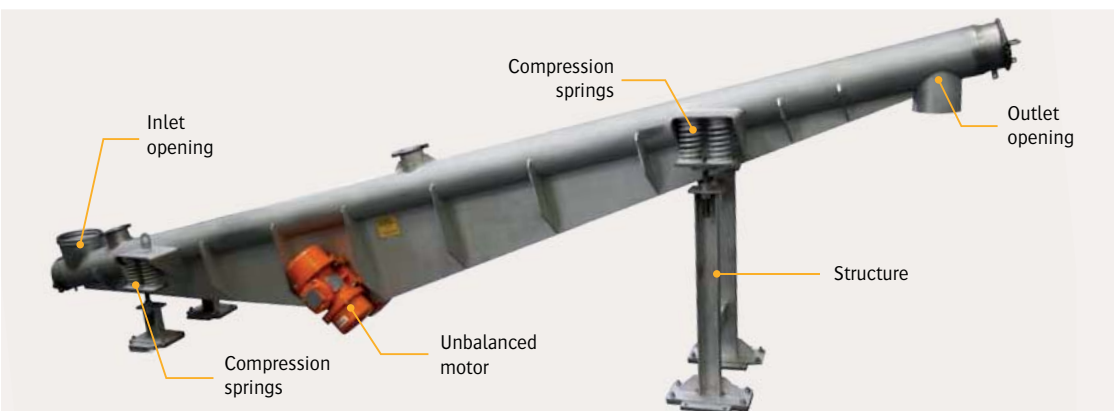


➤ **Springs**

DIMENSIONS



| Tube Ø (mm.) | Length | | A Max. inlet Ø (mm.) | B Max. outlet Ø (mm.) | Max. degree | |
|--------------|--------|-------|----------------------------|-----------------------------|-------------|-----------|
| | Min. | Max. | | | Upwards | Downwards |
| 88.9 | 300 | 2,000 | 150 | 150 | 8° | 15° |
| 114.3 | 300 | 3,000 | 200 | 200 | 8° | 15° |
| 139.7 | 500 | 3,000 | 250 | 250 | 8° | 15° |
| 168.3 | 500 | 4,000 | 250 | 250 | 8° | 15° |
| 219.10 | 500 | 5,000 | 250 | 300 | 8° | 15° |
| 273.0 | 500 | 6,000 | 300 | 350 | 8° | 15° |
| 323.9 | 750 | 6,500 | 375 | 400 | 8° | 15° |



2 TYPES OF VIBRATING MOTORS



1. Magnetic vibrating motor
Stroke from 0 to 4 mm.
Strength from 1 to 1.6 tons



2. Electric vibrating motors mounted in pairs
Stroke from 0 to 20 mm.
Strength from 1 to 5 tons