

Bulk Bag Compactor



Objectives: dust control & management of empty bulk bags

Compression rate: 4 to 10 bulk bag/m.*
*Depending on the type of bulk bags

SIMPLE AND EASY SOLUTION FOR DUST FREE HANDLING AND WASTE VOLUME REDUCTION

With an efficient and compact design, the compactor is suitable for all types of bulk bags, eliminating the majority of dust through the installation of a connection to the dedusting network with the possibility to recover residual fines by specific tray. A polyethylene sheath positioned at the end of the compacting tube allows the collection of empty bulk bags while minimizing their volume.

TECHNICAL SPECIFICATIONS

The compacting screw "pushes" the empty bags inside the dust-proof sheath. With an efficient and compact design, the compactor is suitable for all types of bags (paper, polyethylene, plastic, woven plastic, hessian bags...)

Characteristics

- . Mild steel, 304L stainless steel, 316L stainless steel
- . Motor 2.2 kW (direct coupling)
- . Applied bearing

A polyethylene sheath positioned at the end of the compacting tube allows the collection of empty bulk bags at the output of the compactor. The tensioning ring of the sheath permits a completely dust-proof compression of the bag fragments. A dedusting nozzle optimizes the cleanliness of the work station. The compaction takes place in a completely confined area.



▶ Compacting screw



▶ Suitable for all types of big bags

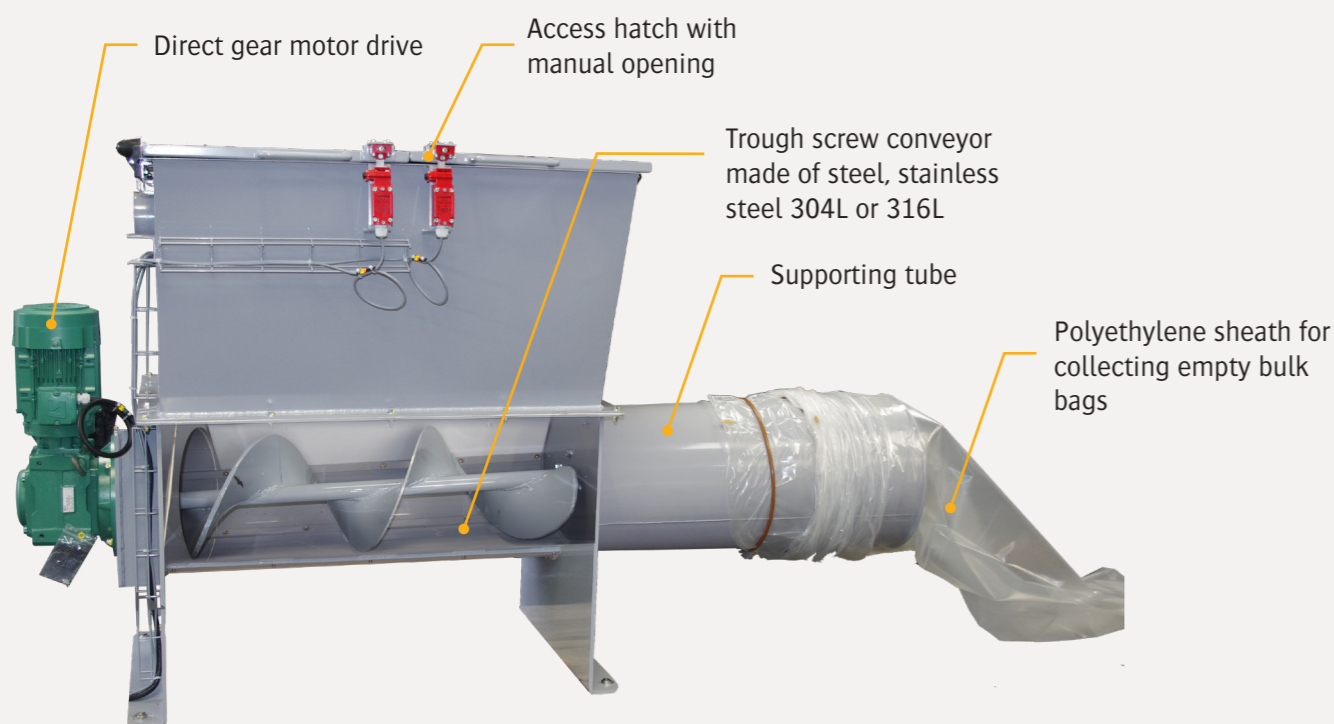


▶ 100% hermetic containment sheath, clean working environment and possibility to recover residual fines by specific tray



▶ Ergonomic access door for the operator

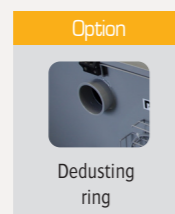
Advantages



2 VERSIONS

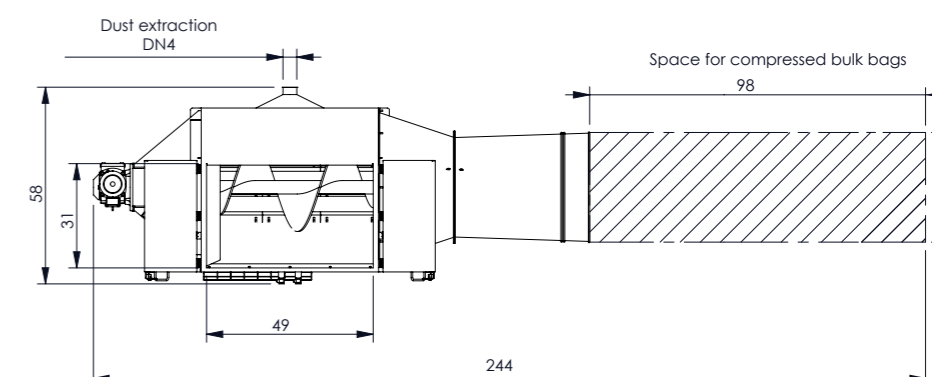
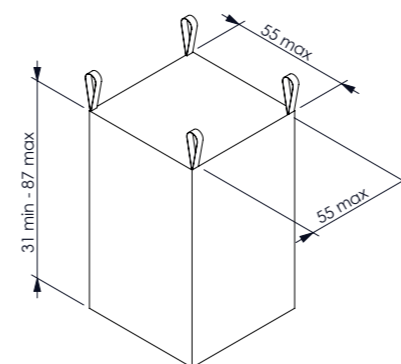
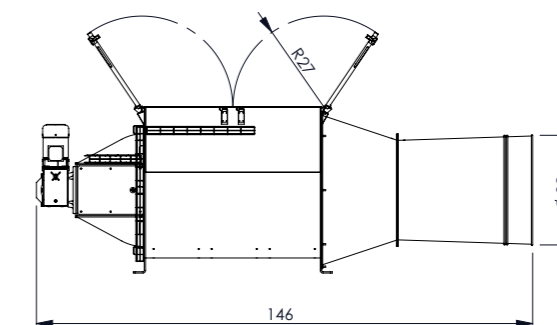
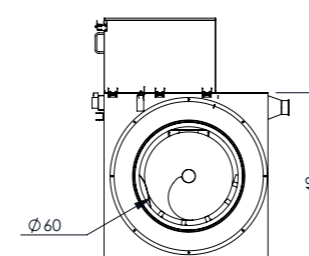


INDEPENDANT COMPACTOR



INTEGRATED COMPACTOR

- Options
- Dedusting ring
 - Automatic doors
 - Access hatch



Dimensions in inches