

Table de nomenclature

REP.	DESIGNATION(FR)	DESIGNATION(ENGLISH)	QTE
1	CONNEXION DEPOUSSIERAGE	DEDUSTING CONNECTION	1
2	STRUCTURE	STRUCTURE	1
3	COFFRET PNEUMATIQUE ET DE COMMANDE	CONTROL AND PNEUMATIC BOX	1
4	FOURCHE AVEC ENTRAXE REGLABLE	FORK WITH ADJUSTABLE WIDTH	1
5	TETE DE REMPLISSAGE	FILLING HEAD	1
6	JOINT GONFLANT	INFLATING SEAL	1
7	SUPPORT DE FOURCHE	FORKS SUPPORT	1
8	VENTILATEUR DE GONFLAGE BIG BAG	BIG BAG INFLATING FAN	1
9	SYSTEME DE PESE	WEIGHING SYSTEM	1
10	VERIN HYDRAULIQUE	HYDRAULIC CYLINDER	1
11	GROUPE HYDRAULIQUE	HYDRAULIC POMP	1

DIMENSION : [inch]  
mm

PLAN D'INFORMATION / INFORMATION DRAWING

PALAMATIC N'AYANT PAS EN CHARGE LE GENIE CIVIL, IL EST DE VOTRE RESPONSABILITE DE VOUS ASSURER DE LA RESISTANCE, DE LA STABILITE ET DE LA PLANEITE DE VOS SUPPORT OU SOLS RECEVANTS NOS EQUIPEMENTS, AUX DIFFERENTS EFFORTS ET CONTRAINTES AUQUELS ILS POURAIENT ETRE SOUMIS.

CIVIL ENGINEERING WORKS ARE NOT INCLUDED IN PALAMATIC'S SCOPE OF SUPPLY. IT IS THE CLIENT'S RESPONSIBILITY TO ENSURE THE STABILITY, RESISTANCE AND FLATNESS OF THE STRUCTURES AND TERRAIN ON WHICH, PALAMATIC'S EQUIPMENT WILL BE MOUNTED. THESE STRUCTURES AND TERRAIN MUST BE ABLE TO WITHSTAND THE DIFFERENT LOADS AND CONSTRAINTS BROUGHT ON BY THESE EQUIPMENTS

CE PLAN EST LA PROPRIETE DE LA SOCIETE PALAMATIC - IL NE PEUT ETRE COPIE OU UTILISE SANS AUTORISATION

THIS DRAWING IS THE PROPERTY OF THE COMPANY PALAMATIC - IT CANNOT BE COPIED OR USED WITHOUT AUTHORIZATION

Rue de l'Écolais 02 90 56 20 61  
Z.A. de la Croix Rouge  
35530 BRECE  
CYRIL.PICHARD@PALAMATIC.FR



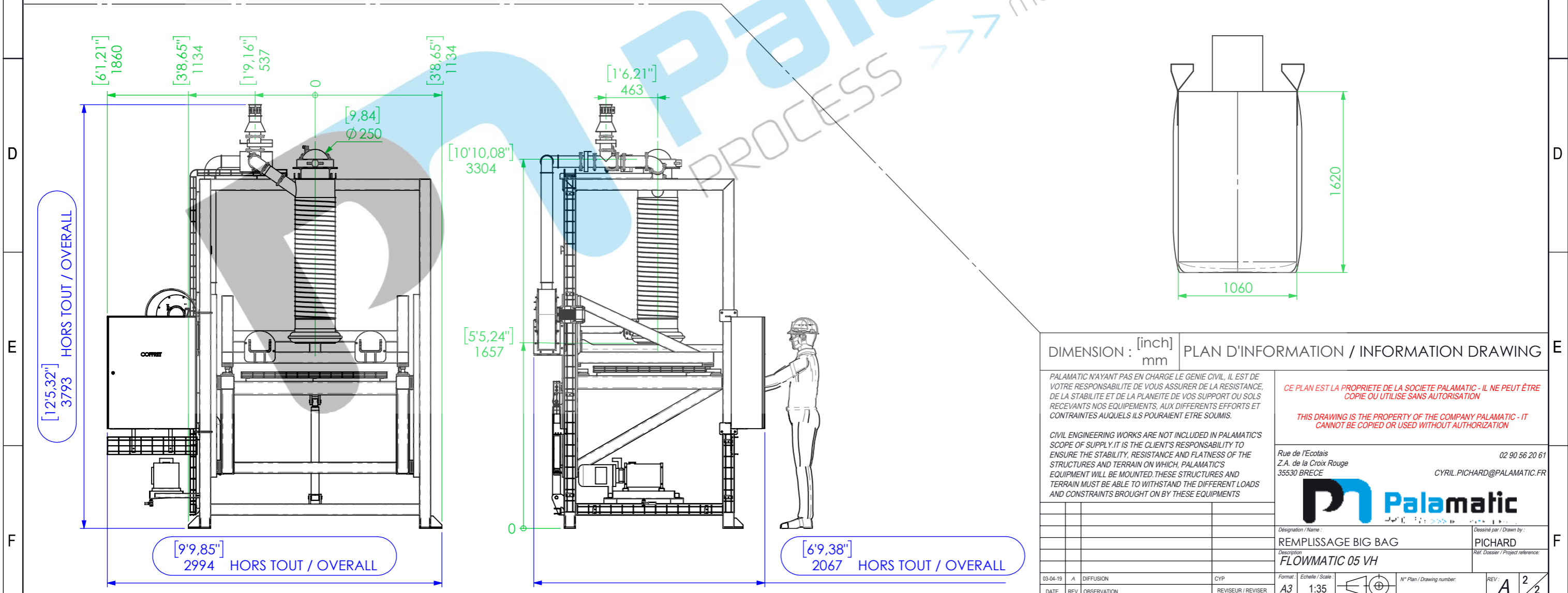
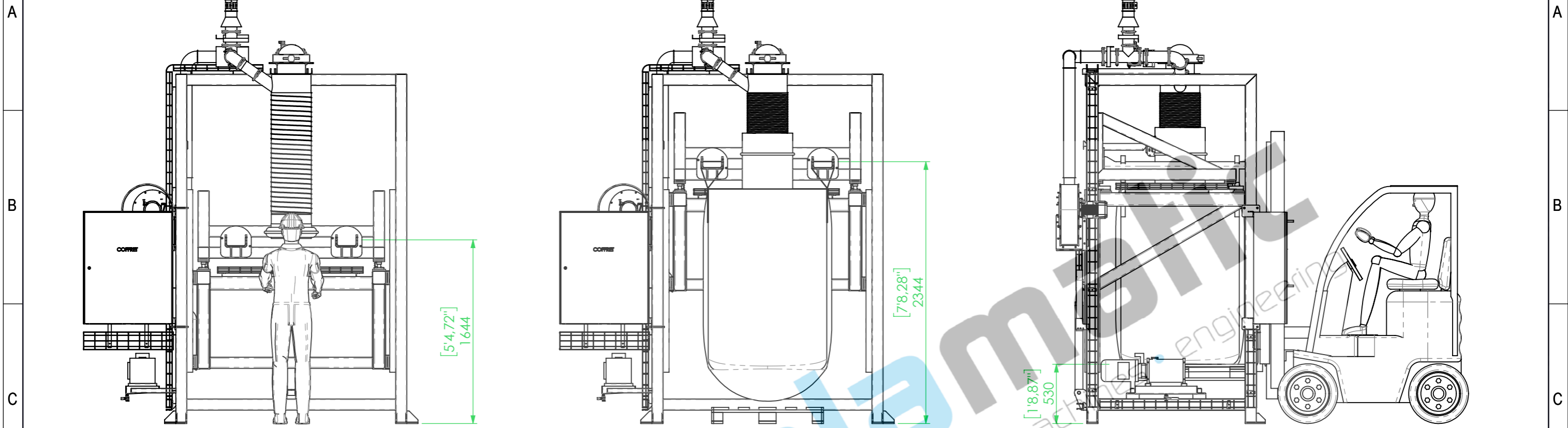
Designation / Name : REMPLISSAGE BIG BAG  
Description : FLOWMATIC 05 VH  
Dessiné par / Drawn by : PICHARD  
Ref. Dossier / Project reference:

03-04-19 A DIFFUSION CYP  
DATE REV OBSERVATION REVISER / REVISER  
Format / Echelle / Scale : A3 1:25  
N° Plan / Drawing number : A 1/2

MISE EN PLACE BIG BAG / BIG BAG SETTING UP:

REPLISSAGE BIG BAG / BIG BAG FILLING:

DECHARGEMENT BIG BAG / BIG BAG UNLOADING:



DIMENSION : [inch] mm		PLAN D'INFORMATION / INFORMATION DRAWING	
<p>PALAMATIC N'AYANT PAS EN CHARGE LE GENIE CIVIL, IL EST DE VOTRE RESPONSABILITE DE VOUS ASSURER DE LA RESISTANCE, DE LA STABILITE ET DE LA PLANEITE DE VOS SUPPORT OU SOLS RECEVANTS NOS EQUIPEMENTS, AUX DIFFERENTS EFFORTS ET CONTRAINTES AUQUELS ILS POURAIENT ETRE SOUMIS.</p> <p>CIVIL ENGINEERING WORKS ARE NOT INCLUDED IN PALAMATIC'S SCOPE OF SUPPLY. IT IS THE CLIENT'S RESPONSIBILITY TO ENSURE THE STABILITY, RESISTANCE AND FLATNESS OF THE STRUCTURES AND TERRAIN ON WHICH, PALAMATIC'S EQUIPMENT WILL BE MOUNTED. THESE STRUCTURES AND TERRAIN MUST BE ABLE TO WITHSTAND THE DIFFERENT LOADS AND CONSTRAINTS BROUGHT ON BY THESE EQUIPMENTS</p>		<p>CE PLAN EST LA PROPRIETE DE LA SOCIETE PALAMATIC - IL NE PEUT ETRE COPIE OU UTILISE SANS AUTORISATION</p> <p>THIS DRAWING IS THE PROPERTY OF THE COMPANY PALAMATIC - IT CANNOT BE COPIED OR USED WITHOUT AUTHORIZATION</p>	
<p>Rue de l'Ecolais Z.A. de la Croix Rouge 35530 BRECE</p>		<p>02 90 56 20 61 CYRIL.PICHARD@PALAMATIC.FR</p>	
<p>Designation / Name : REPLISSAGE BIG BAG</p>		<p>Dessiné par / Drawn by : PICHARD</p>	
<p>Date : 03-04-19</p>		<p>Format : Echelle / Scale : A3 1:35</p>	
<p>REV : A</p>		<p>N° Plan / Drawing number : A 2 / 2</p>	