

Table de nomenclature			
REP.	DESIGNATION (FR)	DESIGNATION (ENGLISH)	QTE
1	DEPILEUR DE PALETTE	PALLET UNSTACKER	1
2	RESERVE DE SAC VIDE	EMPTY BAG STORAGE	1
3	STATION DE REMPLISSAGE BIG BAG	BIG BAG FILLING STATION	1
4	PLATEFORME OPERATEUR	OPERATOR PLATFORM	1
5	LIGNE DE CONVOYEUR MOTORISE	MOTORIZED CONVEYOR LINE	1
6	COFFRET DE COMMANDE	CONTROL CABINET	1
7	TREMIE PESEE	WEIGHING HOPPER	1
8	TUBE DE CHUTE PRODUIT ET VIS DE DOSAGE	PRODUCT FILLING TUBE AND DOSING SCREW	1

DIMENSION : [inch] / mm PLAN D'INFORMATION / INFORMATION DRAWING

PALAMATIC N'AYANT PAS EN CHARGE LE GENIE CIVIL, IL EST DE VOTRE RESPONSABILITE DE VOUS ASSURER DE LA RESISTANCE, DE LA STABILITE ET DE LA PLANEITE DE VOS SUPPORT OU SOLS RECEVANTS NOS EQUIPEMENTS, AUX DIFFERENTS EFFORTS ET CONTRAINTES AUQUELS ILS POURAIENT ETRE SOUMIS.

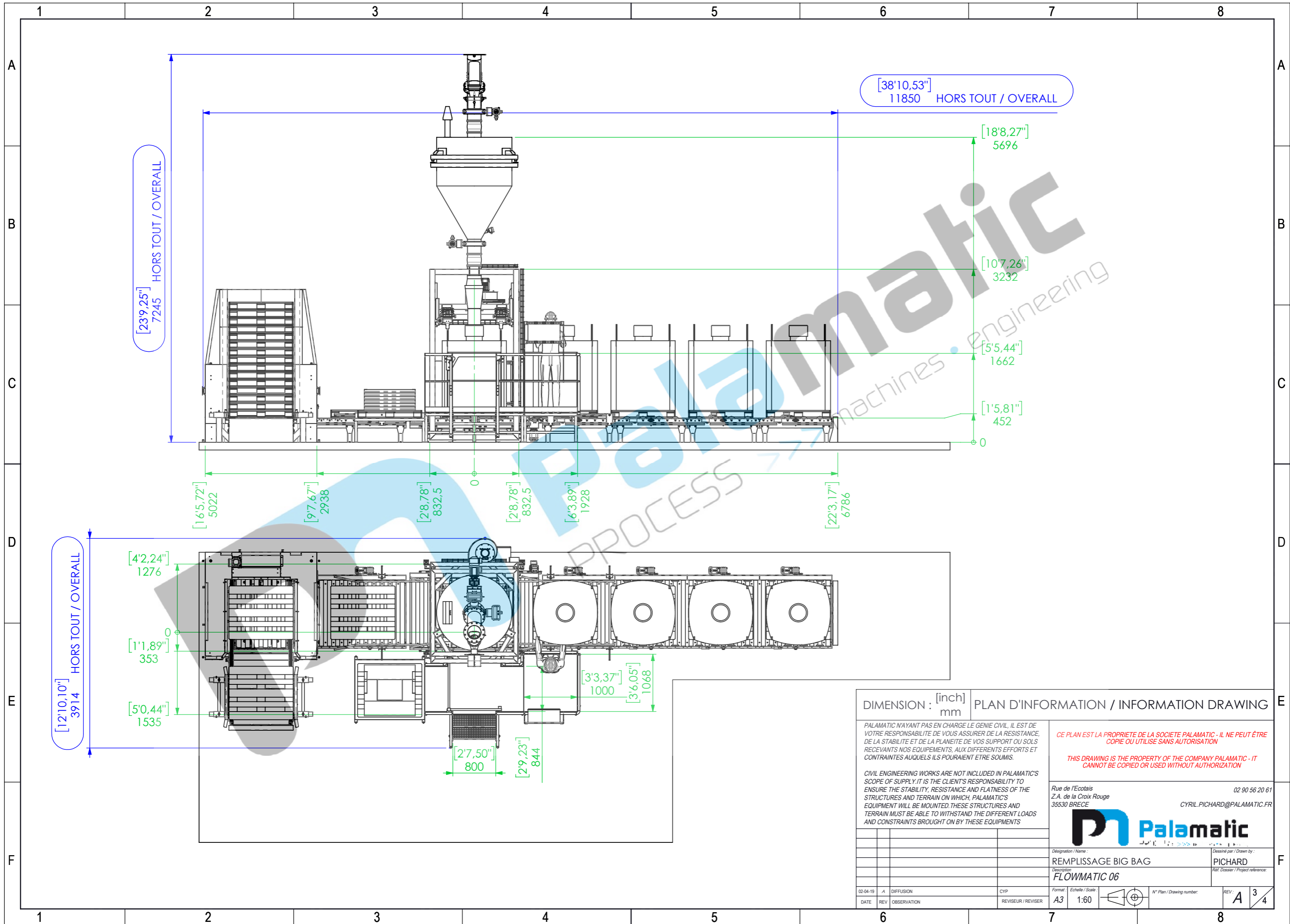
CIVIL ENGINEERING WORKS ARE NOT INCLUDED IN PALAMATIC'S SCOPE OF SUPPLY. IT IS THE CLIENT'S RESPONSIBILITY TO ENSURE THE STABILITY, RESISTANCE AND FLATNESS OF THE STRUCTURES AND TERRAIN ON WHICH, PALAMATIC'S EQUIPMENT WILL BE MOUNTED. THESE STRUCTURES AND TERRAIN MUST BE ABLE TO WITHSTAND THE DIFFERENT LOADS AND CONSTRAINTS BROUGHT ON BY THESE EQUIPMENTS

CE PLAN EST LA PROPRIETE DE LA SOCIETE PALAMATIC - IL NE PEUT ETRE COPIE OU UTILISE SANS AUTORISATION
THIS DRAWING IS THE PROPERTY OF THE COMPANY PALAMATIC - IT CANNOT BE COPIED OR USED WITHOUT AUTHORIZATION

Rue de l'Ecotais 02 90 56 20 61
Z.A. de la Croix Rouge
35530 BRECE
CYRIL.PICHARD@PALAMATIC.FR



Designation / Name : REPLISSAGE BIG BAG		Dessiné par / Drawn by : PICHARD	
Description : FLOWMATIC 06		Ref. Dossier / Project reference:	
02-04-19	A	DIFFUSION	CYP
DATE	REV	OBSERVATION	REVISER / REVISER
Format : Echelle / Scale : A3 1:40		N° Plan / Drawing number : REV: A 1/4	



DIMENSION : [inch] / mm **PLAN D'INFORMATION / INFORMATION DRAWING**

PALAMATIC N'AYANT PAS EN CHARGE LE GENIE CIVIL, IL EST DE VOTRE RESPONSABILITE DE VOUS ASSURER DE LA RESISTANCE, DE LA STABILITE ET DE LA PLANEITE DE VOS SUPPORT OU SOLS RECEVANTS NOS EQUIPEMENTS, AUX DIFFERENTS EFFORTS ET CONTRAINTES AUQUELS ILS POURAIENT ETRE SOUMIS.

CIVIL ENGINEERING WORKS ARE NOT INCLUDED IN PALAMATIC'S SCOPE OF SUPPLY. IT IS THE CLIENT'S RESPONSIBILITY TO ENSURE THE STABILITY, RESISTANCE AND FLATNESS OF THE STRUCTURES AND TERRAIN ON WHICH, PALAMATIC'S EQUIPMENT WILL BE MOUNTED. THESE STRUCTURES AND TERRAIN MUST BE ABLE TO WITHSTAND THE DIFFERENT LOADS AND CONSTRAINTS BROUGHT ON BY THESE EQUIPMENTS

CE PLAN EST LA PROPRIETE DE LA SOCIETE PALAMATIC - IL NE PEUT ETRE COPIE OU UTILISE SANS AUTORISATION
THIS DRAWING IS THE PROPERTY OF THE COMPANY PALAMATIC - IT CANNOT BE COPIED OR USED WITHOUT AUTHORIZATION

Rue de l'Ecotais 02 90 56 20 61
 Z.A. de la Croix Rouge 35530 BRECE
 CYRIL.PICHARD@PALAMATIC.FR

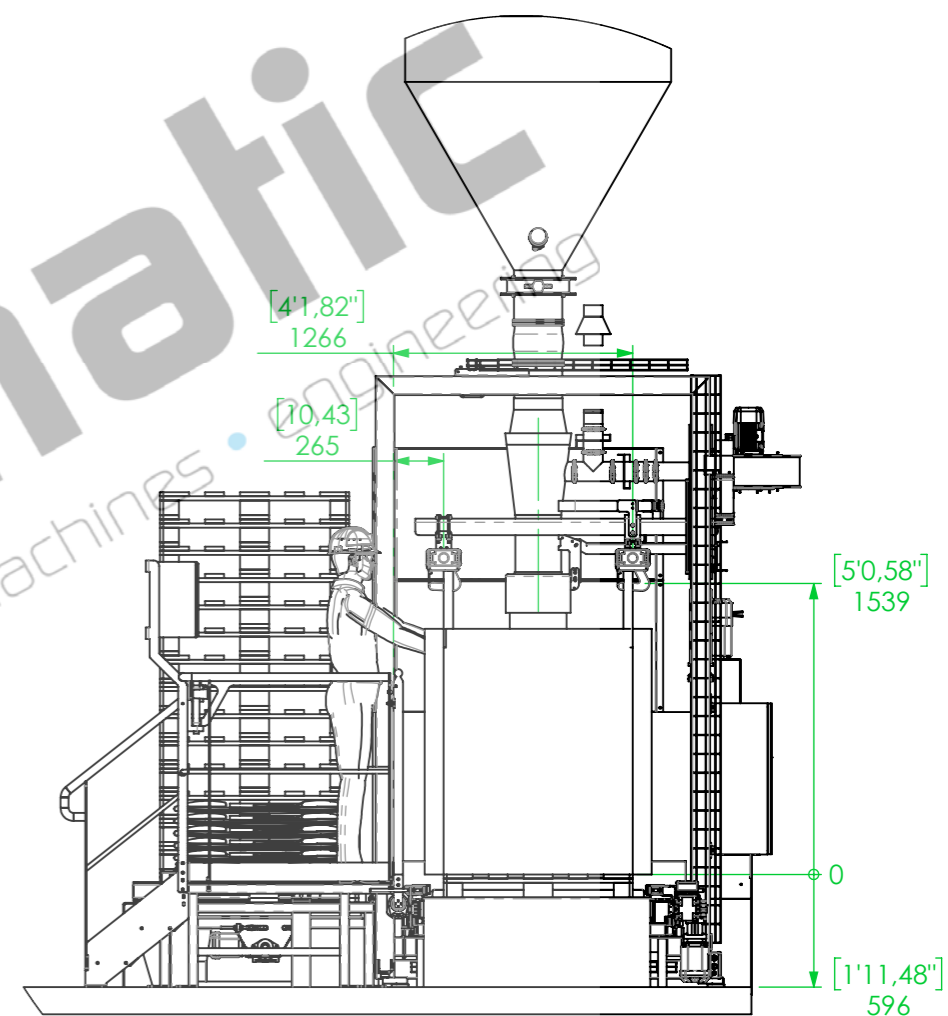
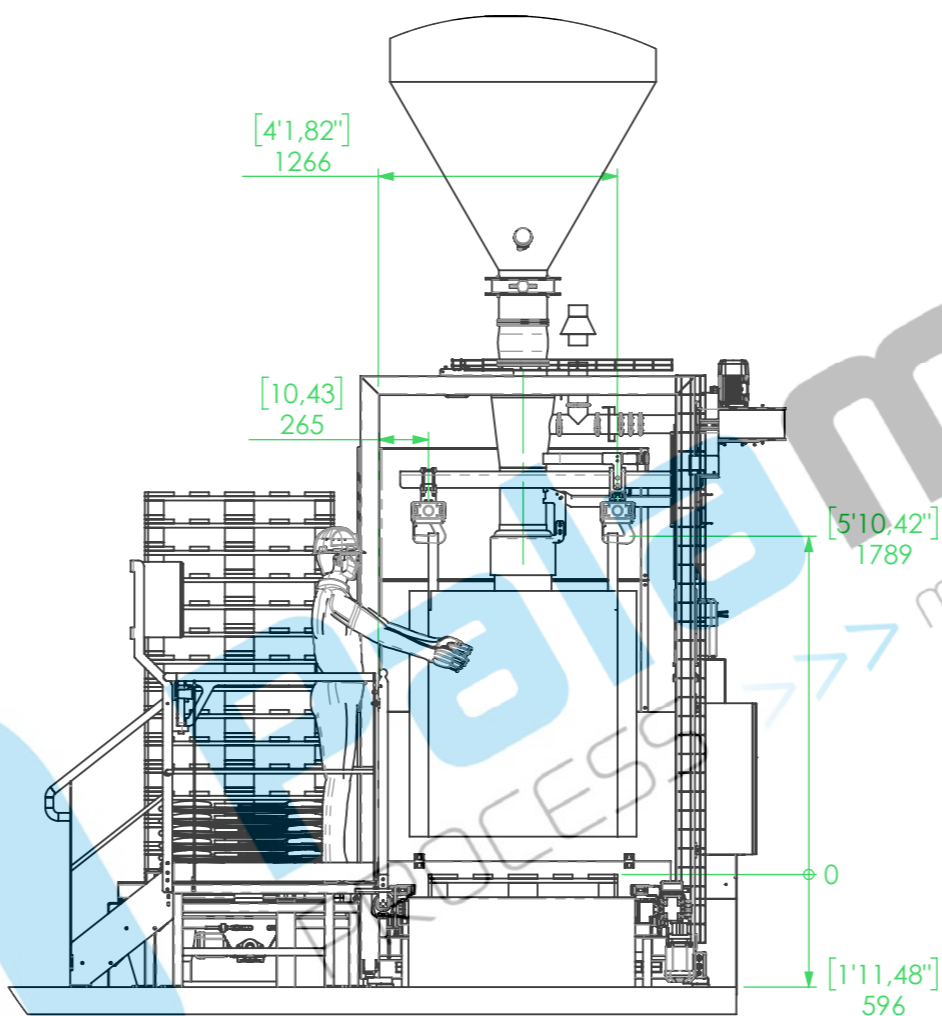
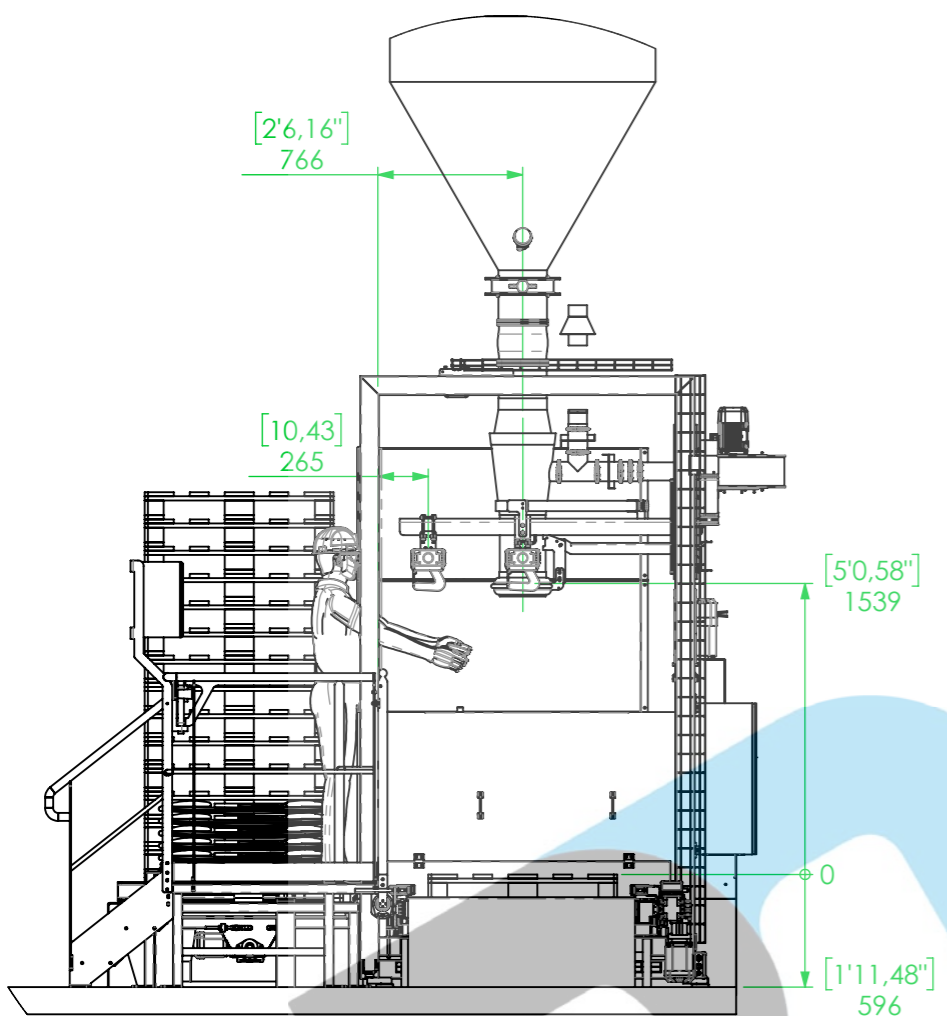


Designation / Name :		REMPLISSAGE BIG BAG		Dessiné par / Drawn by :		PICHARD	
Description :		FLOWMATIC 06		Ref. Dossier / Project reference :			
02-04-19	A	DIFFUSION	CYP	Format / Echelle / Scale :	A3 1:60	N° Plan / Drawing number :	REV: A 3/4
DATE	REV	OBSERVATION	REVISUR / REVISER				

MISE EN PLACE BIG BAG / BIG BAG POSITIONNING

REPLISSAGE BIG BAG / BIG BAG FILLING

LARGAGE DU BIG BAG ET FERMETURE DE LA MANCHETTE /
BIG BAG DROPPING AND CLOSURE OF THE CUFF



DIMENSION : [inch] / mm PLAN D'INFORMATION / INFORMATION DRAWING

PALAMATIC N'AYANT PAS EN CHARGE LE GENIE CIVIL, IL EST DE VOTRE RESPONSABILITE DE VOUS ASSURER DE LA RESISTANCE, DE LA STABILITE ET DE LA PLANEITE DE VOS SUPPORT OU SOLS RECEVANTS NOS EQUIPEMENTS, AUX DIFFERENTS EFFORTS ET CONTRAINTES AUQUELS ILS POURAIENT ETRE SOUMIS.

CIVIL ENGINEERING WORKS ARE NOT INCLUDED IN PALAMATIC'S SCOPE OF SUPPLY. IT IS THE CLIENT'S RESPONSIBILITY TO ENSURE THE STABILITY, RESISTANCE AND FLATNESS OF THE STRUCTURES AND TERRAIN ON WHICH, PALAMATIC'S EQUIPMENT WILL BE MOUNTED. THESE STRUCTURES AND TERRAIN MUST BE ABLE TO WITHSTAND THE DIFFERENT LOADS AND CONSTRAINTS BROUGHT ON BY THESE EQUIPMENTS

CE PLAN EST LA PROPRIETE DE LA SOCIETE PALAMATIC - IL NE PEUT ETRE COPIE OU UTILISE SANS AUTORISATION

THIS DRAWING IS THE PROPERTY OF THE COMPANY PALAMATIC - IT CANNOT BE COPIED OR USED WITHOUT AUTHORIZATION

Rue de l'Écolais 02 90 56 20 61
Z.A. de la Croix Rouge
35530 BRECE
CYRIL.PICHARD@PALAMATIC.FR



Designation / Name : Description : Dessiné par / Drawn by :

REPLISSAGE BIG BAG PICHARD

FLOWMATIC 06 Ref. Dossier / Project reference :

02-04-19	A	DIFFUSION	CYP	Format / Echelle / Scale :	N° Plan / Drawing number :	REV: A 4
DATE	REV	OBSERVATION	REVISOR / REVISER	A3 1:40		