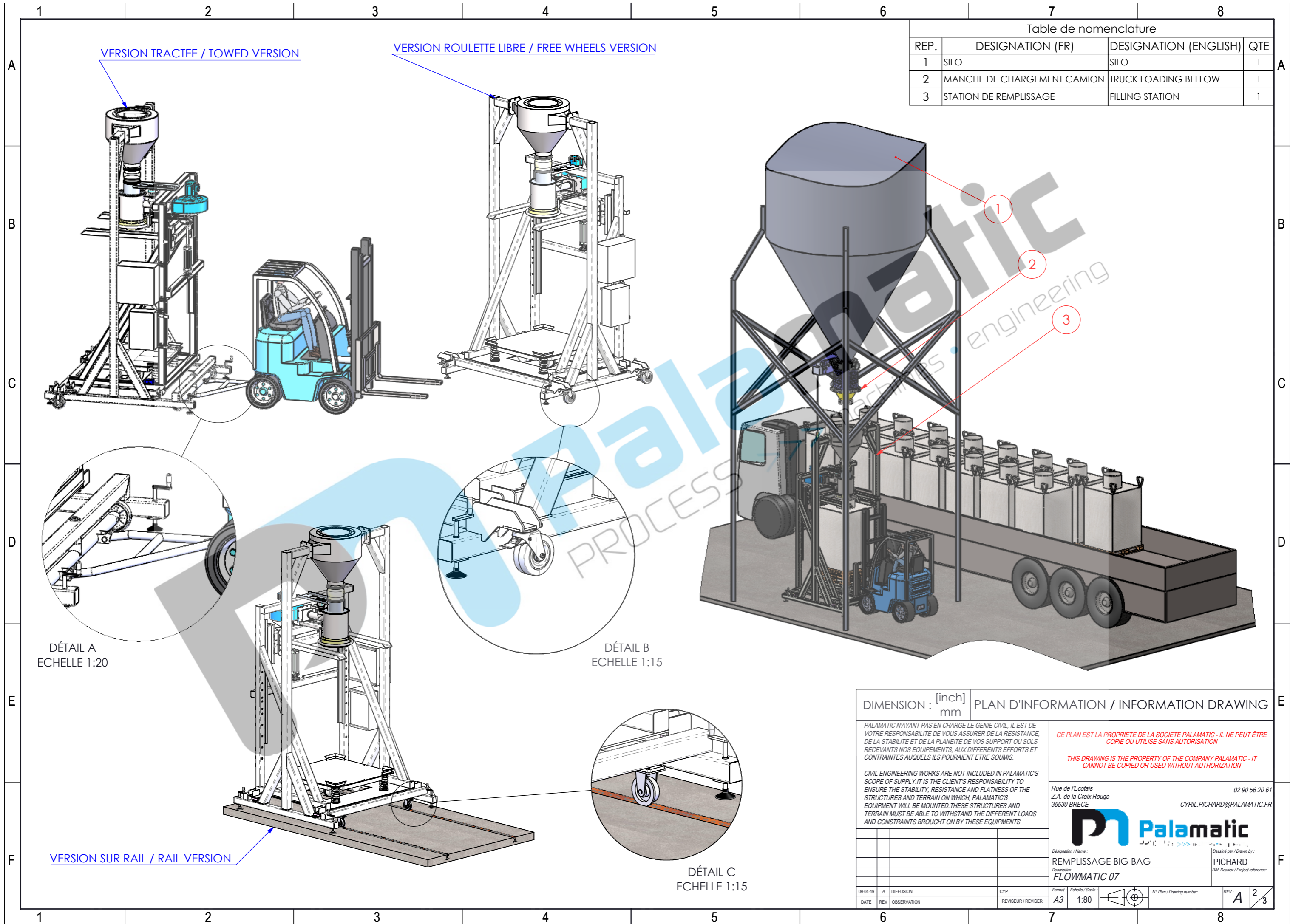


Table de nomenclature			
REP.	DESIGNATION (FR)	DESIGNATION (ENGLISH)	QTE
1	CONE D'ACCOSTAGE	UNLOADING CONE	1
2	VENTILATEUR DE PRE-GONFLAGE BIG BAG	BIG BAG PRE-FORMING FAN	1
3	TETE DE REMPLISSAGE	FILLING HEAD	1
4	FOURCHE REGLABLE EN LARGEUR	FORKS WITH ADJUSTABLE WIDTH	2
5	JOINT GONFLANT	INFLATABLE SEAL	1
6	VERIN PNEUMATIQUE	PNEUMATIC CYLINDER	1
7	TABLE VIBRANTE	VIBRATING TABLE	1
8	SYSTEME DE PESEE	WEIGHING SYSTEM	1
9	STABILISATEUR	STABILIZATION FEET	4

VERSION DEPLACABLE PAR CHARIOT ELEVATEUR /
MOBILE VERSION WITH FORKLIFT

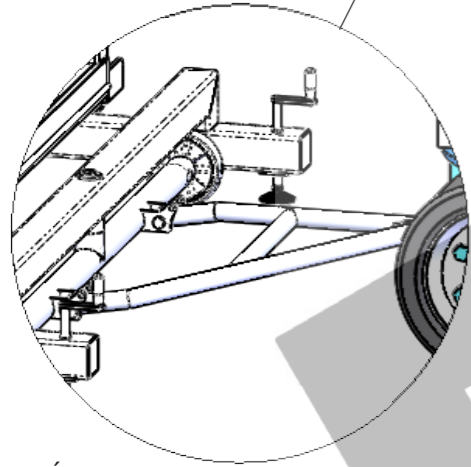
DIMENSION : [inch] mm		PLAN D'INFORMATION / INFORMATION DRAWING	
<p>PALAMATIC N'AYANT PAS EN CHARGE LE GENIE CIVIL, IL EST DE VOTRE RESPONSABILITE DE VOUS ASSURER DE LA RESISTANCE, DE LA STABILITE ET DE LA PLANEITE DE VOS SUPPORT OU SOLS RECEVANTS NOS EQUIPEMENTS, AUX DIFFERENTS EFFORTS ET CONTRAINTES AUQUELS ILS POURAIENT ETRE SOUMIS.</p> <p>CIVIL ENGINEERING WORKS ARE NOT INCLUDED IN PALAMATIC'S SCOPE OF SUPPLY. IT IS THE CLIENT'S RESPONSIBILITY TO ENSURE THE STABILITY, RESISTANCE AND FLATNESS OF THE STRUCTURES AND TERRAIN ON WHICH, PALAMATIC'S EQUIPMENT WILL BE MOUNTED. THESE STRUCTURES AND TERRAIN MUST BE ABLE TO WITHSTAND THE DIFFERENT LOADS AND CONSTRAINTS BROUGHT ON BY THESE EQUIPMENTS</p>		<p>CE PLAN EST LA PROPRIETE DE LA SOCIETE PALAMATIC - IL NE PEUT ETRE COPIE OU UTILISE SANS AUTORISATION</p> <p>THIS DRAWING IS THE PROPERTY OF THE COMPANY PALAMATIC - IT CANNOT BE COPIED OR USED WITHOUT AUTHORIZATION</p>	
<p>Rue de l'Écolais Z.A. de la Croix Rouge 35530 BRECE</p>		<p>02 90 56 20 61 CYP CYRIL.PICHARD@PALAMATIC.FR</p>	
<p>Designation / Name : STATION DE REMPLISSAGE FILLING STATION</p>		<p>Dessiné par / Drawn by : PICHARD Ref. Dossier / Project reference:</p>	
09-04-19	A	DIFFUSION	CYP
DATE	REV	OBSERVATION	REVISER / REVISER
Format : A3		Echelle / Scale : 1:20	N° Plan / Drawing number :
REV: A		1/3	



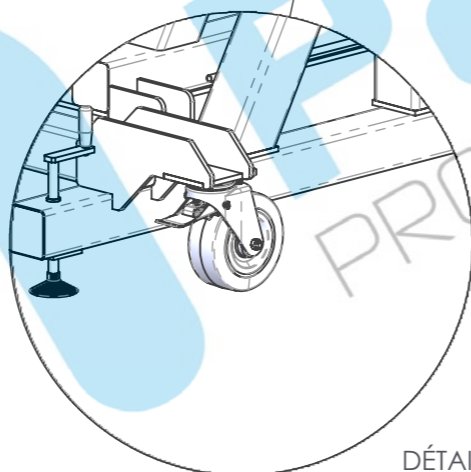
VERSION TRACTEE / TOWED VERSION

VERSION ROULETTE LIBRE / FREE WHEELS VERSION

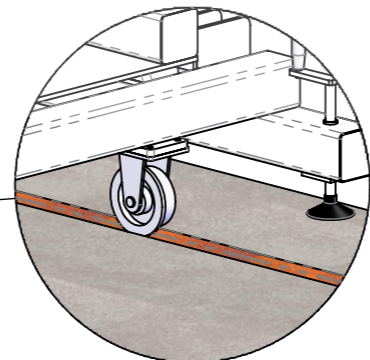
Table de nomenclature			
REP.	DESIGNATION (FR)	DESIGNATION (ENGLISH)	QTE
1	SILO	SILO	1
2	MANCHE DE CHARGEMENT CAMION	TRUCK LOADING BELLOW	1
3	STATION DE REMPLISSAGE	FILLING STATION	1



DÉTAIL A
ECHELLE 1:20



DÉTAIL B
ECHELLE 1:15

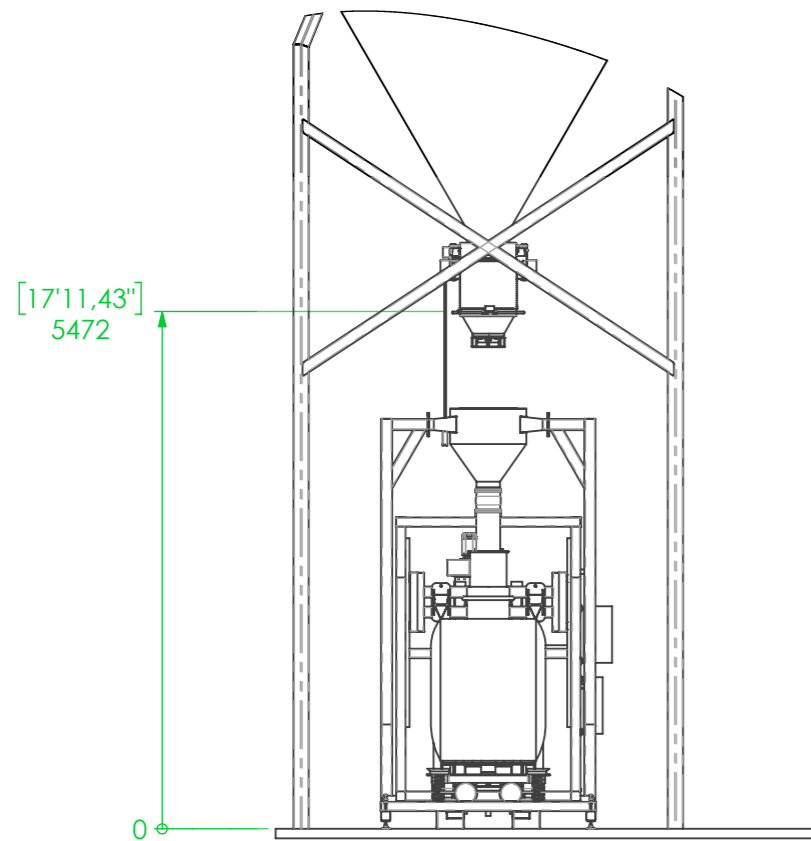


DÉTAIL C
ECHELLE 1:15

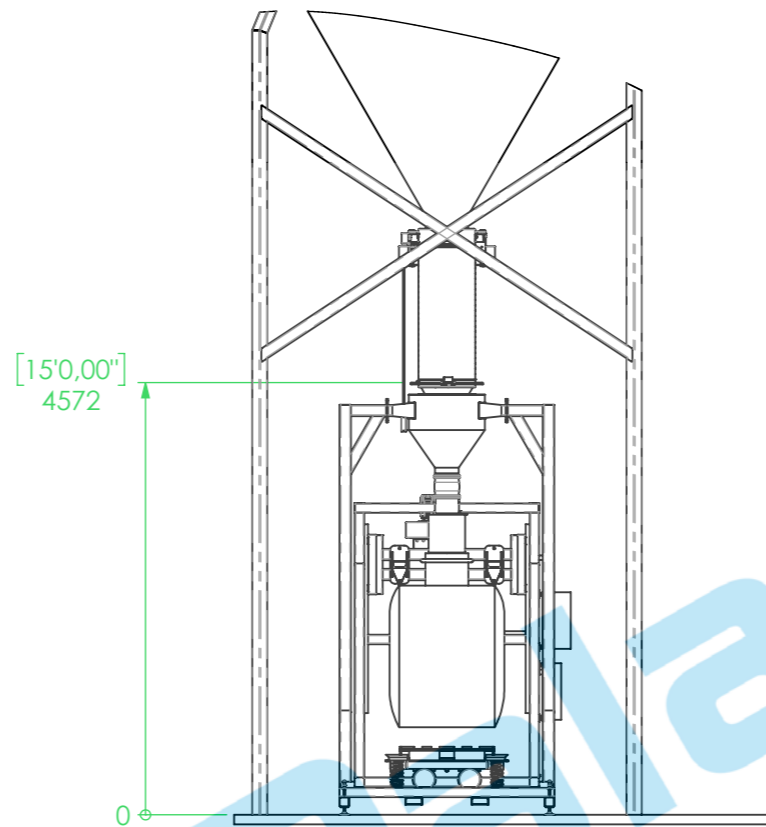
VERSION SUR RAIL / RAIL VERSION

DIMENSION : [inch] mm		PLAN D'INFORMATION / INFORMATION DRAWING	
<p>PALAMATIC N'AYANT PAS EN CHARGE LE GENIE CIVIL, IL EST DE VOTRE RESPONSABILITE DE VOUS ASSURER DE LA RESISTANCE, DE LA STABILITE ET DE LA PLANEITE DE VOS SUPPORT OU SOLS RECEVANTS NOS EQUIPEMENTS, AUX DIFFERENTS EFFORTS ET CONTRAINTES AUQUELS ILS POURAIENT ETRE SOUMIS.</p> <p>CIVIL ENGINEERING WORKS ARE NOT INCLUDED IN PALAMATIC'S SCOPE OF SUPPLY. IT IS THE CLIENT'S RESPONSIBILITY TO ENSURE THE STABILITY, RESISTANCE AND FLATNESS OF THE STRUCTURES AND TERRAIN ON WHICH, PALAMATIC'S EQUIPMENT WILL BE MOUNTED. THESE STRUCTURES AND TERRAIN MUST BE ABLE TO WITHSTAND THE DIFFERENT LOADS AND CONSTRAINTS BROUGHT ON BY THESE EQUIPMENTS</p>		<p>CE PLAN EST LA PROPRIETE DE LA SOCIETE PALAMATIC - IL NE PEUT ÊTRE COPIÉ OU UTILISÉ SANS AUTORISATION</p> <p>THIS DRAWING IS THE PROPERTY OF THE COMPANY PALAMATIC - IT CANNOT BE COPIED OR USED WITHOUT AUTHORIZATION</p>	
<p>Rue de l'Écolais Z.A. de la Croix Rouge 35530 BRECE</p>		<p>02 90 56 20 61 CYRIL.PICHARD@PALAMATIC.FR</p>	
<p>Designation / Name : REMPLEISSAGE BIG BAG</p>		<p>Dessiné par / Drawn by : PICHARD</p>	
<p>Description : FLOWMATIC 07</p>		<p>Ref. Dossier / Project reference:</p>	
09-04-19	A	DIFFUSION	CYP
DATE	REV	OBSERVATION	REVISER / REVISER
<p>Format / Echelle / Scale : A3 1:80</p>		<p>N° Plan / Drawing number: REV: A 2 3</p>	

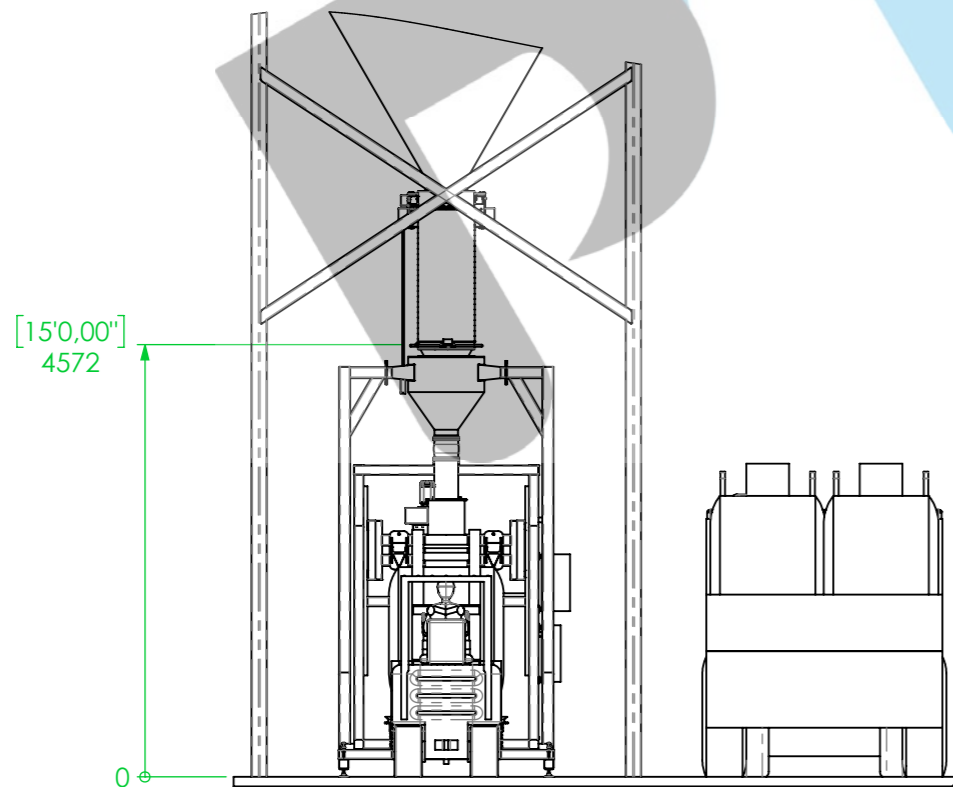
MISE EN PLACE BIG BAG /
BIG BAG POSITIONING:



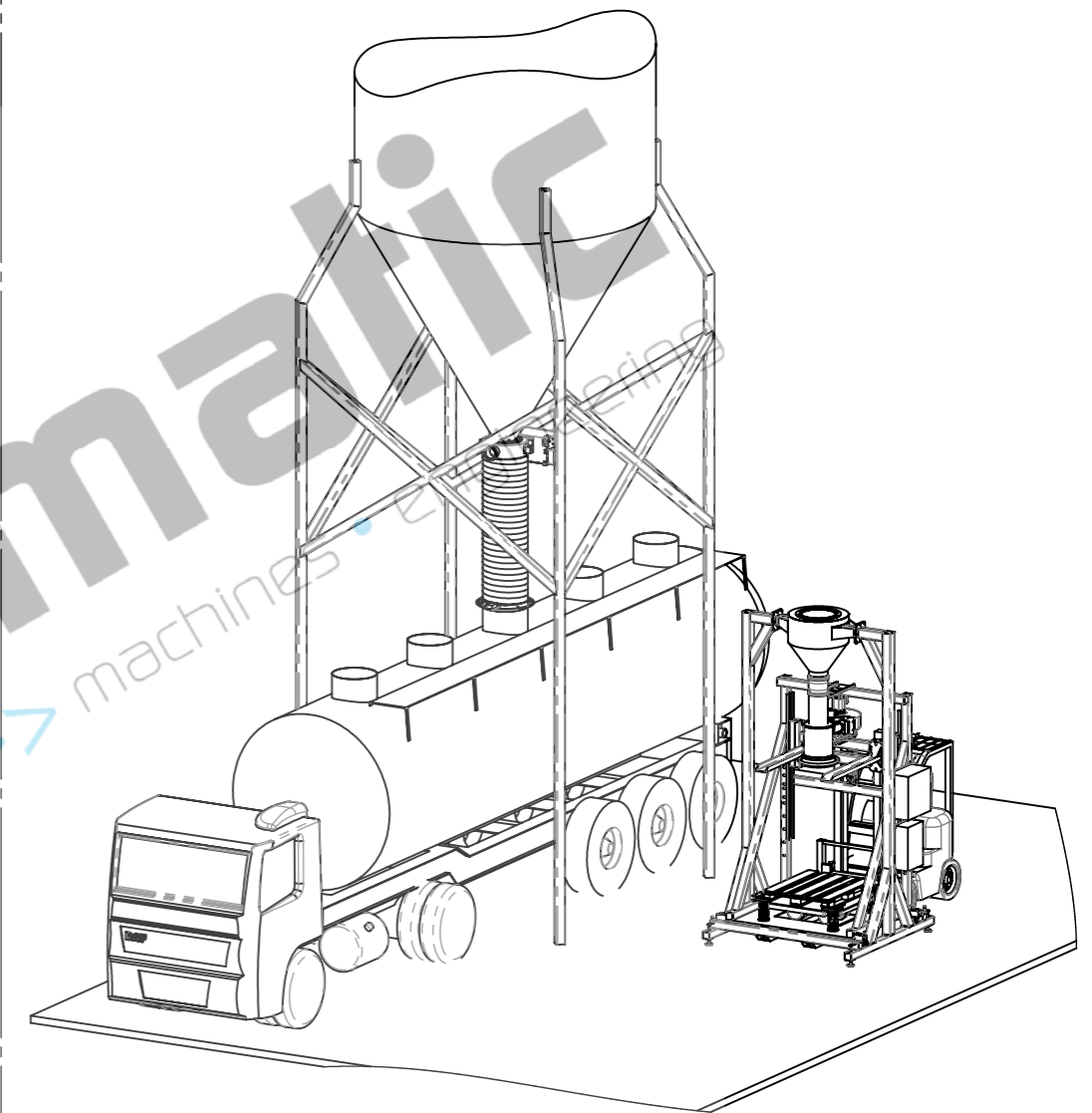
REPLISSAGE BIG BAG /
BIG BAG FILLING:



EVACUATION BIG BAG /
BIG BAG EVACUATION:



REPLISSAGE CITERNE /
TANK FILLING:



DIMENSION : [inch] / mm PLAN D'INFORMATION / INFORMATION DRAWING

PALAMATIC N'AYANT PAS EN CHARGE LE GENIE CIVIL, IL EST DE VOTRE RESPONSABILITE DE VOUS ASSURER DE LA RESISTANCE, DE LA STABILITE ET DE LA PLANEITE DE VOS SUPPORT OU SOLS RECEVANTS NOS EQUIPEMENTS, AUX DIFFERENTS EFFORTS ET CONTRAINTES AUQUELS ILS POURAIENT ETRE SOUMIS.

CIVIL ENGINEERING WORKS ARE NOT INCLUDED IN PALAMATIC'S SCOPE OF SUPPLY. IT IS THE CLIENT'S RESPONSIBILITY TO ENSURE THE STABILITY, RESISTANCE AND FLATNESS OF THE STRUCTURES AND TERRAIN ON WHICH, PALAMATIC'S EQUIPMENT WILL BE MOUNTED. THESE STRUCTURES AND TERRAIN MUST BE ABLE TO WITHSTAND THE DIFFERENT LOADS AND CONSTRAINTS BROUGHT ON BY THESE EQUIPMENTS

CE PLAN EST LA PROPRIETE DE LA SOCIETE PALAMATIC - IL NE PEUT ETRE COPIE OU UTILISE SANS AUTORISATION

THIS DRAWING IS THE PROPERTY OF THE COMPANY PALAMATIC - IT CANNOT BE COPIED OR USED WITHOUT AUTHORIZATION

Rue de l'Écolais 02 90 56 20 61
Z.A. de la Croix Rouge 35530 BRECE
CYRIL.PICHARD@PALAMATIC.FR



Designation / Name :		REPLISSAGE BIG BAG		Dessiné par / Drawn by :		PICHARD	
Description :		FLOWMATIC 07		Ref. Dossier / Project reference :			
09-04-19	A	DIFFUSION	CYP	Format / Echelle / Scale :	A3	1:80	N° Plan / Drawing number :
DATE	REV	OBSERVATION	REVISUR / REVISER	REV: A		3 / 3	