

[136,56"]  
4129 HORS TOUT / OVERALL

ZONE BLANCHE / WHITE AREA  
HYGIENE MAXIMUM / MAXIMUM HYGIENE

[46'2,27"]  
14079 HORS TOUT / OVERALL

ZONE GRISE / GREY AREA

ZONE NOIRE / BLACK AREA

[251,72"]  
7918 HORS TOUT / OVERALL

Table de nomenclature			
REP.	DESIGNATION (FR)	DESIGNATION (ENGLISH)	QTE
1	VENTILATEUR DE PRE-GONFLAGE BIG BAG	BIG BAG PRE-FORMING FAN	1
2	CHARIOT SUSPENDU D'EVACUATION DE BIG BAG	SUSPENDED TROLLEY FOR BIG BAG REMOVAL	1
3	TETE DE REMPLISSAGE	FILLING HEAD	1
4	CADRE PORTANT LE BIG BAG SUR PESON	FRAME CARRYING THE BIG BAG ON LOAD CELL	1
5	SOUDEUSE DE BIG BAG	BIG BAG SEALING	1
6	TABLE VIBRANTE	VIBRATING TABLE	1
7	PALETTE DE BIG BAG VIDE	EMPTY BIG BAG PALLET	1
8	TABLE ELEVATRICE	LIFTING TABLE	1
9	PORTE COULISSANTE	SLIDING DOOR	2
10	PORTE A ENROULEUR	ROLLER DOOR	2
11	CONVOYEUR EMBARQUE SUR TABLE ELEVATRICE	CONVEYOR ON LIFTING TABLE	1
12	CONVOYEUR AVEC SYSTEME DE PESEE	CONVEYOR WITH WEIGHING SYSEM	1
13	DEPILEUR	UNSTACKER	1

DIMENSION : [inch]  
mm

PLAN D'INFORMATION / INFORMATION DRAWING

PALAMATIC N'AYANT PAS EN CHARGE LE GENIE CIVIL, IL EST DE VOTRE RESPONSABILITE DE VOUS ASSURER DE LA RESISTANCE, DE LA STABILITE ET DE LA PLANEITE DE VOS SUPPORT OU SOLS RECEVANTS NOS EQUIPEMENTS, AUX DIFFERENTS EFFORTS ET CONTRAINTES AUQUELS ILS POURAIENT ETRE SOUMIS.

CIVIL ENGINEERING WORKS ARE NOT INCLUDED IN PALAMATIC'S SCOPE OF SUPPLY. IT IS THE CLIENT'S RESPONSIBILITY TO ENSURE THE STABILITY, RESISTANCE AND FLATNESS OF THE STRUCTURES AND TERRAIN ON WHICH, PALAMATIC'S EQUIPMENT WILL BE MOUNTED. THESE STRUCTURES AND TERRAIN MUST BE ABLE TO WITHSTAND THE DIFFERENT LOADS AND CONSTRAINTS BROUGHT ON BY THESE EQUIPMENTS

CE PLAN EST LA PROPRIETE DE LA SOCIETE PALAMATIC - IL NE PEUT ETRE COPIE OU UTILISE SANS AUTORISATION  
THIS DRAWING IS THE PROPERTY OF THE COMPANY PALAMATIC - IT CANNOT BE COPIED OR USED WITHOUT AUTHORIZATION

Rue de l'Ecotais 02 90 56 20 61  
Z.A. de la Croix Rouge  
35530 BRECE  
CYRIL.PICHARD@PALAMATIC.FR

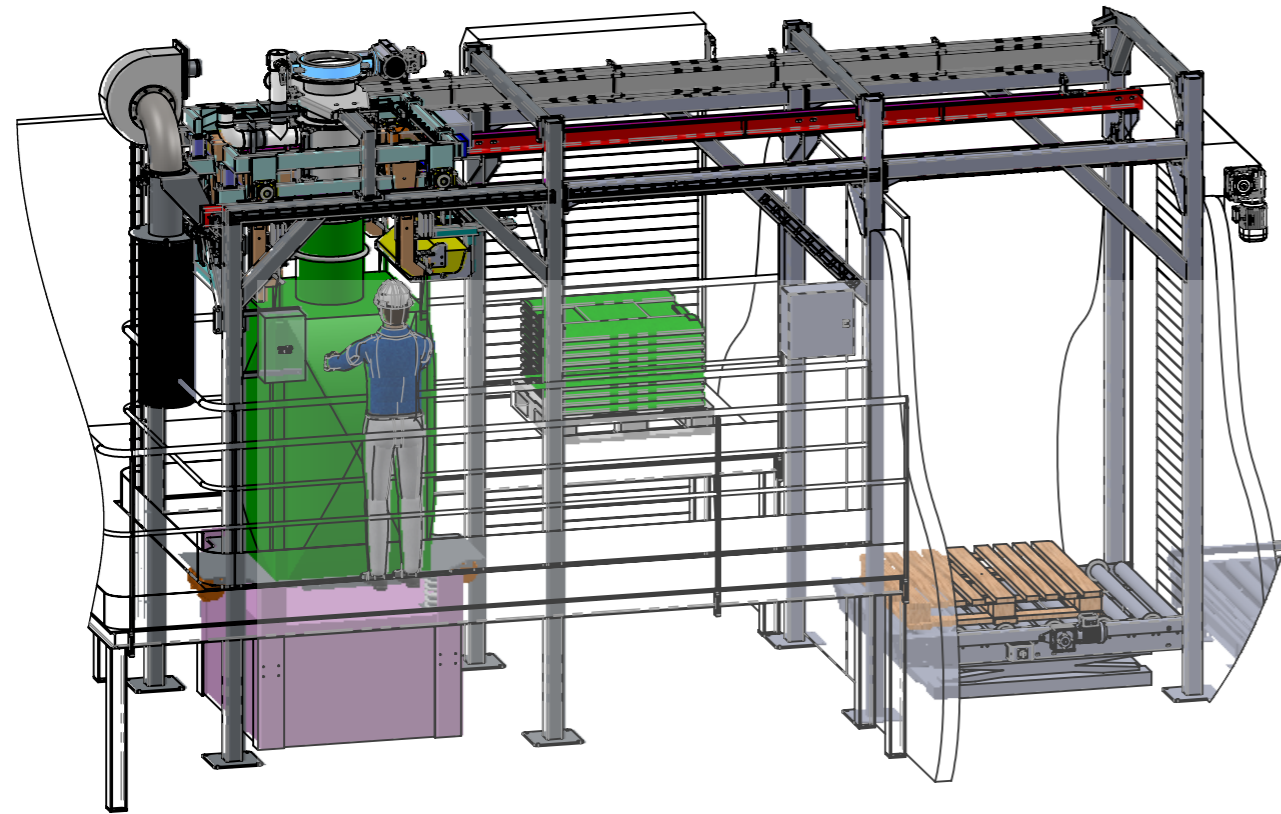


Designation / Name : REMPLISSAGE BIG BAG  
Description : FLOWMATIC 10  
Dessiné par / Drawn by : PICHARD  
Ref. Dossier / Project reference:

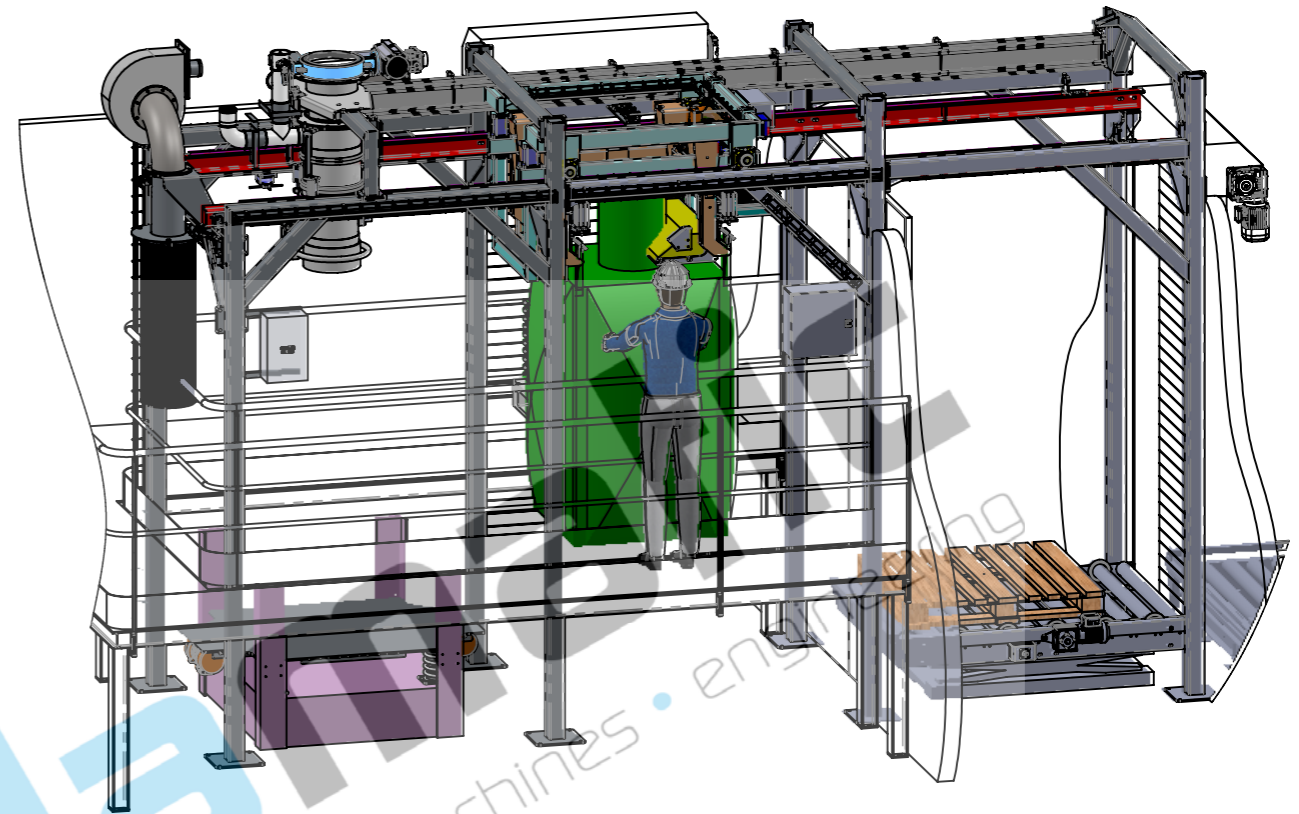
16-04-19 A DIFFUSION CYP  
DATE REV OBSERVATION REVISER / REVISER  
Format / Echelle / Scale : A3 1:50  
N° Plan / Drawing number : A 1/2



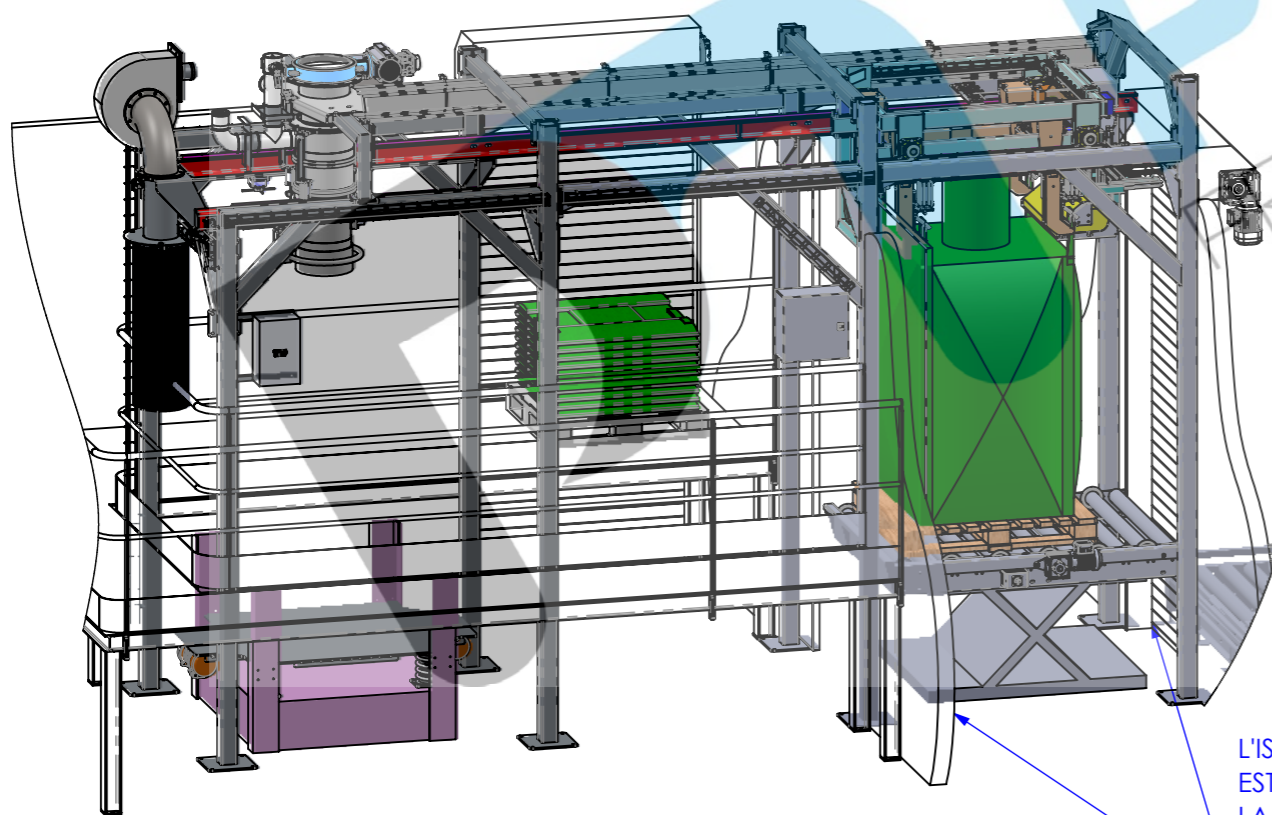
1) REPLISSAGE ET VIBRATION BIG BAG (ZONE BLANCHE) / BIG BAG FILLING AND VIBRATING (WHITE AREA)



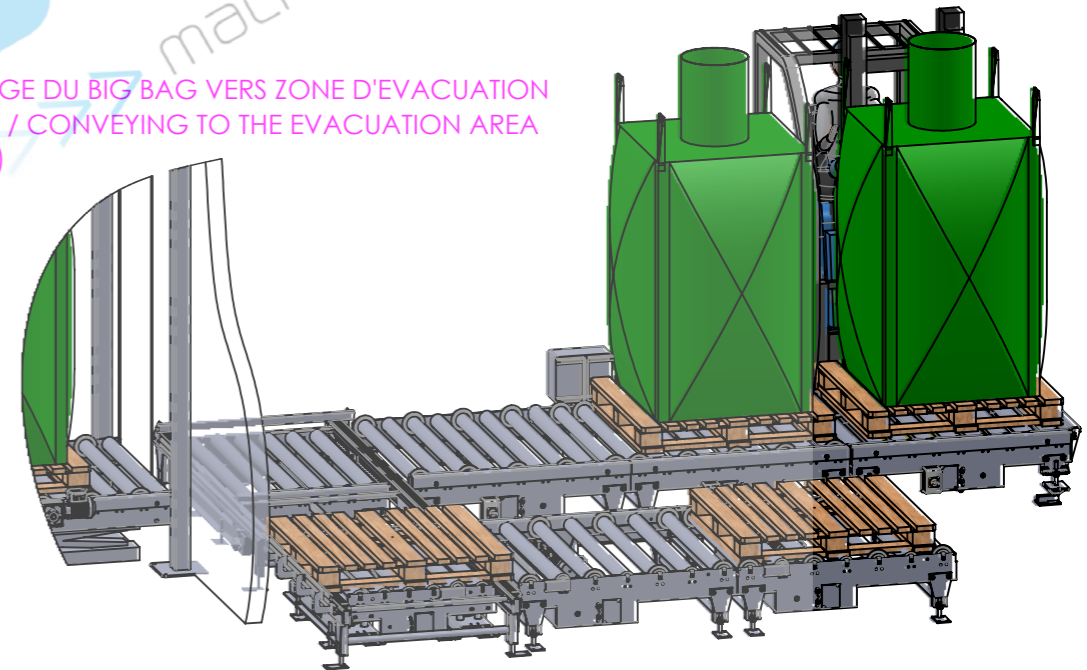
2) SOUDURE DE LA MANCHE DE REPLISSAGE (ZONE BLANCHE) / SEALING OF THE BIG BAG (WHITE AREA)



3) DEPOSE DU BIG BAG SUR PALETTE (ZONE GRISE) / REMOVAL OF BIG BAG ON PALLET (GREY AREA)



4) CONVOYAGE DU BIG BAG VERS ZONE D'EVACUATION (ZONE NOIRE) / CONVEYING TO THE EVACUATION AREA (BLACK AREA)



L'ISOLEMENT DE LA SALLE BLANCHE EST ASSURE PAR L'OUVERTURE ET LA FERMETURE DE PORTE COULISSANTE / ISOLATION OF THE WHITE AREA IS INSURED BY OPENING AND CLOSING THE ROLLING DOOR

DIMENSION : [inch] / mm PLAN D'INFORMATION / INFORMATION DRAWING

PALAMATIC N'AYANT PAS EN CHARGE LE GENIE CIVIL, IL EST DE VOTRE RESPONSABILITE DE VOUS ASSURER DE LA RESISTANCE, DE LA STABILITE ET DE LA PLANEITE DE VOS SUPPORT OU SOLS RECEVANTS NOS EQUIPEMENTS, AUX DIFFERENTS EFFORTS ET CONTRAINTES AUQUELS ILS POURAIENT ETRE SOUMIS.

CIVIL ENGINEERING WORKS ARE NOT INCLUDED IN PALAMATIC'S SCOPE OF SUPPLY. IT IS THE CLIENT'S RESPONSIBILITY TO ENSURE THE STABILITY, RESISTANCE AND FLATNESS OF THE STRUCTURES AND TERRAIN ON WHICH, PALAMATIC'S EQUIPMENT WILL BE MOUNTED. THESE STRUCTURES AND TERRAIN MUST BE ABLE TO WITHSTAND THE DIFFERENT LOADS AND CONSTRAINTS BROUGHT ON BY THESE EQUIPMENTS

CE PLAN EST LA PROPRIETE DE LA SOCIETE PALAMATIC - IL NE PEUT ETRE COPIE OU UTILISE SANS AUTORISATION

THIS DRAWING IS THE PROPERTY OF THE COMPANY PALAMATIC - IT CANNOT BE COPIED OR USED WITHOUT AUTHORIZATION

Rue de l'Ecotais 02 90 56 20 61  
Z.A. de la Croix Rouge  
35530 BRECE CYRIL.PICHARD@PALAMATIC.FR



Designation / Name : REMPLISSAGE BIG BAG Dessiné par / Drawn by : PICHARD  
Description : FLOWMATIC 10 Ref. Dossier / Project reference :

16-04-19	A	DIFFUSION	CYP	Format / Echelle / Scale : A3 1:45	N° Plan / Drawing number :	REV : A 2 / 2
DATE	REV	OBSERVATION	REVISER / REVISER			