

Table de nomenclature

REP.	DESIGNATION (FR)	DESIGNATION (ENGLISH)	QTE
1	STRUCTURE	STRUCTURE	1
2	CONNEXION DEPOUSSIERAGE	DUSTING CONNECTION	1
3	FOURCHE AVEC ENTRAXE REGLABLE	FORK WITH ADJUSTABLE ENTRAX	2
4	TUBE DE REMPLISSAGE	FILLING TUBE	1
5	ANNEAU MULTI-DIAMETRE	MULTI-DIAMETER RING	1
6	JOINT GONFLANT	INFLATING SEAL	1
7	VENTILATEUR DE GONFLAGE BIG BAG	BIG BAG INFLATING FAN	1
8	SUPPORT DE FOURCHE	FORKS SUPPORT	1
9	VERIN PNEUMATIQUE	PNEUMATIC CYLINDER	1
10	COFFRET	PNEUMATIC BOX	1
11	TABLE VIBRANTE	VIBRATING TABLE	1
12	SYSTEME DE PESEE	WEIGHING SYSTEM	4

DIMENSION : [inch] / mm

PLAN D'INFORMATION / INFORMATION DRAWING

PALAMATIC N'AYANT PAS EN CHARGE LE GENIE CIVIL, IL EST DE VOTRE RESPONSABILITE DE VOUS ASSURER DE LA RESISTANCE, DE LA STABILITE ET DE LA PLANEITE DE VOS SUPPORT OU SOLS RECEVANTS NOS EQUIPEMENTS, AUX DIFFERENTS EFFORTS ET CONTRAINTES AUQUELS ILS POURAIENT ETRE SOUMIS.

CIVIL ENGINEERING WORKS ARE NOT INCLUDED IN PALAMATIC'S SCOPE OF SUPPLY. IT IS THE CLIENT'S RESPONSIBILITY TO ENSURE THE STABILITY, RESISTANCE AND FLATNESS OF THE STRUCTURES AND TERRAIN ON WHICH, PALAMATIC'S EQUIPMENT WILL BE MOUNTED. THESE STRUCTURES AND TERRAIN MUST BE ABLE TO WITHSTAND THE DIFFERENT LOADS AND CONSTRAINTS BROUGHT ON BY THESE EQUIPMENTS.

CE PLAN EST LA PROPRIETE DE LA SOCIETE PALAMATIC - IL NE PEUT ETRE COPIE OU UTILISE SANS AUTORISATION

THIS DRAWING IS THE PROPERTY OF THE COMPANY PALAMATIC - IT CANNOT BE COPIED OR USED WITHOUT AUTHORIZATION

Rue de l'Écolais 02 90 56 20 61
Z.A. de la Croix Rouge
35530 BRECE
CYRIL.PICHARD@PALAMATIC.FR

Palamatic

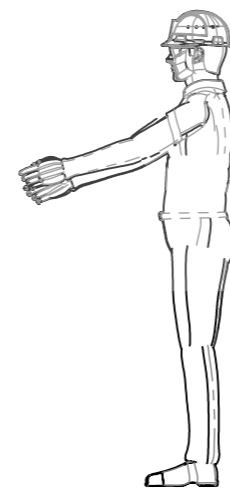
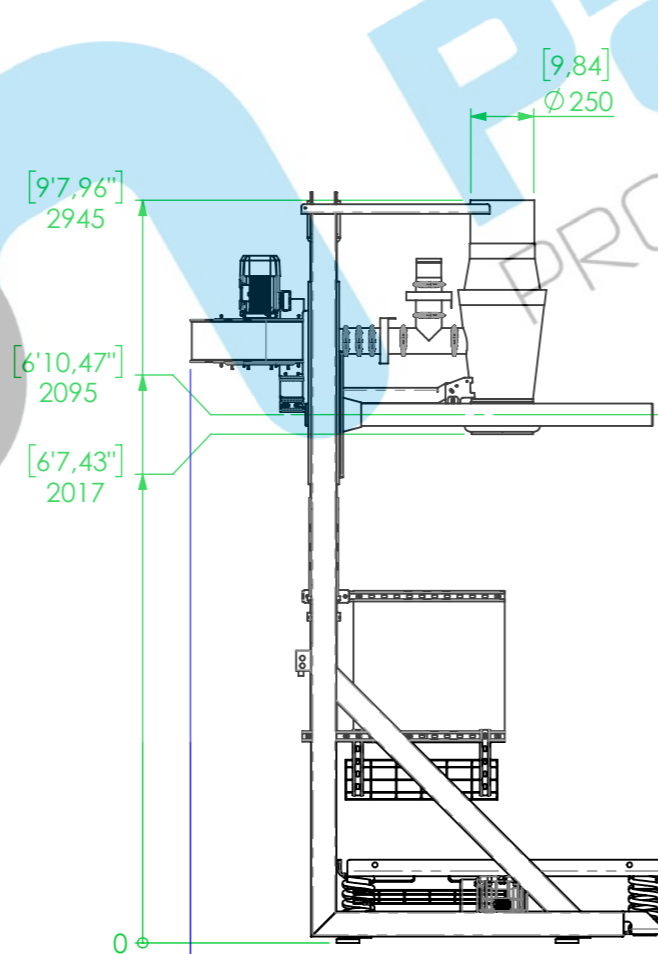
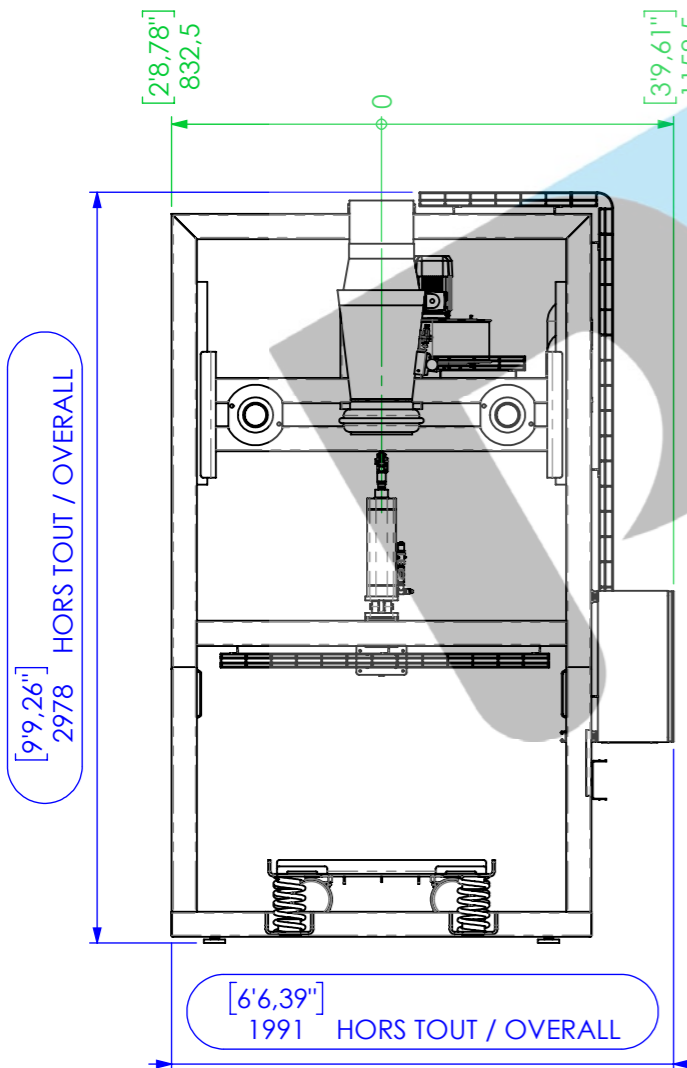
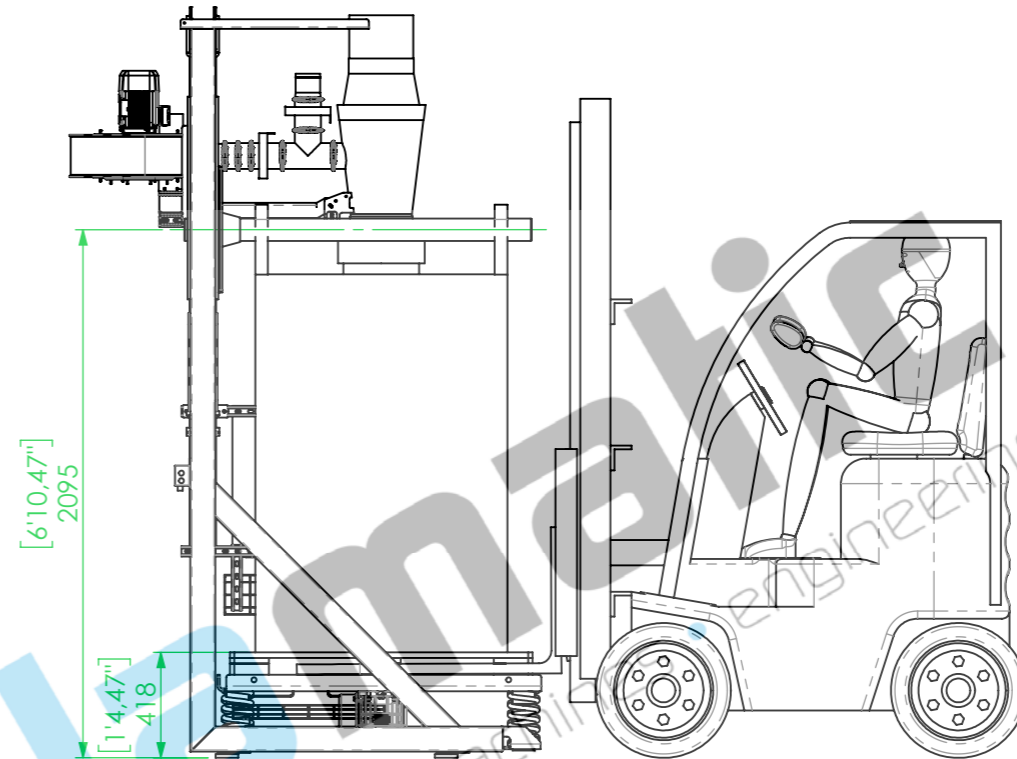
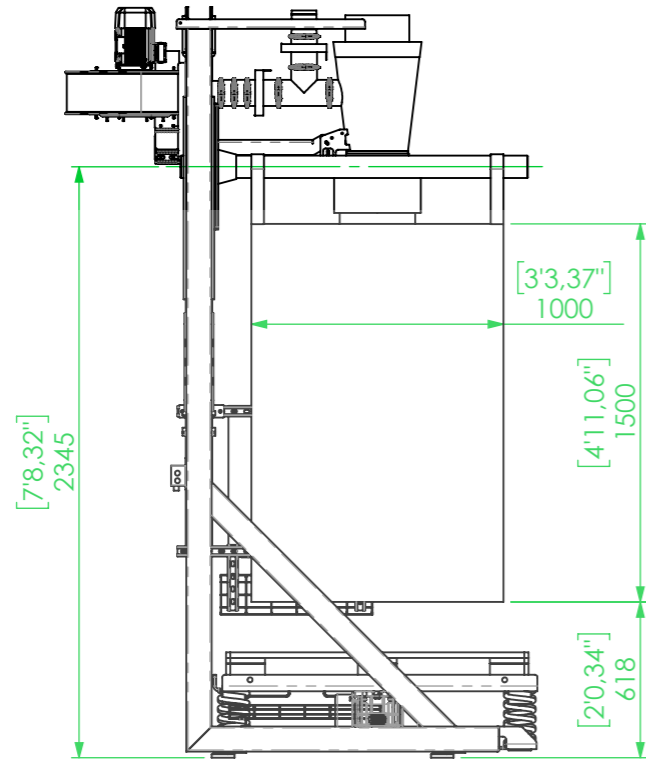
Designation / Name : REMPLISSAGE BIG BAG
Description : FLOWMATIC 03
Dessiné par / Drawn by : PICHARD
Ref. Dossier / Project reference:

Format : Echelle / Scale : A3 1:20
N° Plan / Drawing number :
DATE : 28-03-19
REV : A
OBSERVATION : DIFFUSION
CYP
REVISER / REVISER

REV: A 1/2

REPLISSAGE BIG BAG / BIG BAG FILLING:

DECHARGEMENT BIG BAG / BIG BAG UNLOADING:



DIMENSION : [inch] / mm PLAN D'INFORMATION / INFORMATION DRAWING

PALAMATIC N'AYANT PAS EN CHARGE LE GENIE CIVIL, IL EST DE VOTRE RESPONSABILITE DE VOUS ASSURER DE LA RESISTANCE, DE LA STABILITE ET DE LA PLANEITE DE VOS SUPPORT OU SOLS RECEVANTS NOS EQUIPEMENTS, AUX DIFFERENTS EFFORTS ET CONTRAINTES AUQUELS ILS POURAIENT ETRE SOUMIS.

CIVIL ENGINEERING WORKS ARE NOT INCLUDED IN PALAMATIC'S SCOPE OF SUPPLY. IT IS THE CLIENT'S RESPONSIBILITY TO ENSURE THE STABILITY, RESISTANCE AND FLATNESS OF THE STRUCTURES AND TERRAIN ON WHICH, PALAMATIC'S EQUIPMENT WILL BE MOUNTED. THESE STRUCTURES AND TERRAIN MUST BE ABLE TO WITHSTAND THE DIFFERENT LOADS AND CONSTRAINTS BROUGHT ON BY THESE EQUIPMENTS

CE PLAN EST LA PROPRIETE DE LA SOCIETE PALAMATIC - IL NE PEUT ETRE COPIE OU UTILISE SANS AUTORISATION
THIS DRAWING IS THE PROPERTY OF THE COMPANY PALAMATIC - IT CANNOT BE COPIED OR USED WITHOUT AUTHORIZATION

Rue de l'Écolais 02 90 56 20 61
Z.A. de la Croix Rouge
35530 BRECE
CYRIL.PICHARD@PALAMATIC.FR



Designation / Name :		Dessiné par / Drawn by :	
REPLISSAGE BIG BAG		PICHARD	
Description :		Ref. Dossier / Project reference :	
FLOWMATIC 03			
Format :	Echelle / Scale :	N° Plan / Drawing number :	REV: A 2
A3	1:30		
28-03-19	A DIFFUSION	CYP	
DATE	REV OBSERVATION	REVISEUR / REVISER	