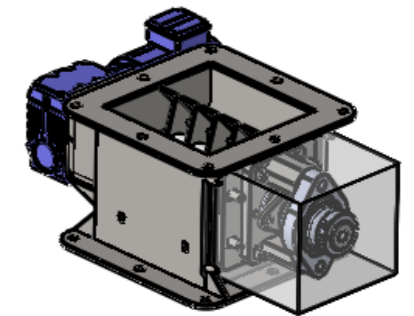


DATE	REVISION	DESIGNATION	VISA	
			BE	Commercial
24-01-2013	A	DIFFUSION		<input checked="" type="checkbox"/>
-	-	-		

This plan is the exclusive property of PALAMATIC.
Any reproduction, any distribution even partial is strictly prohibited.

Plan for information only.



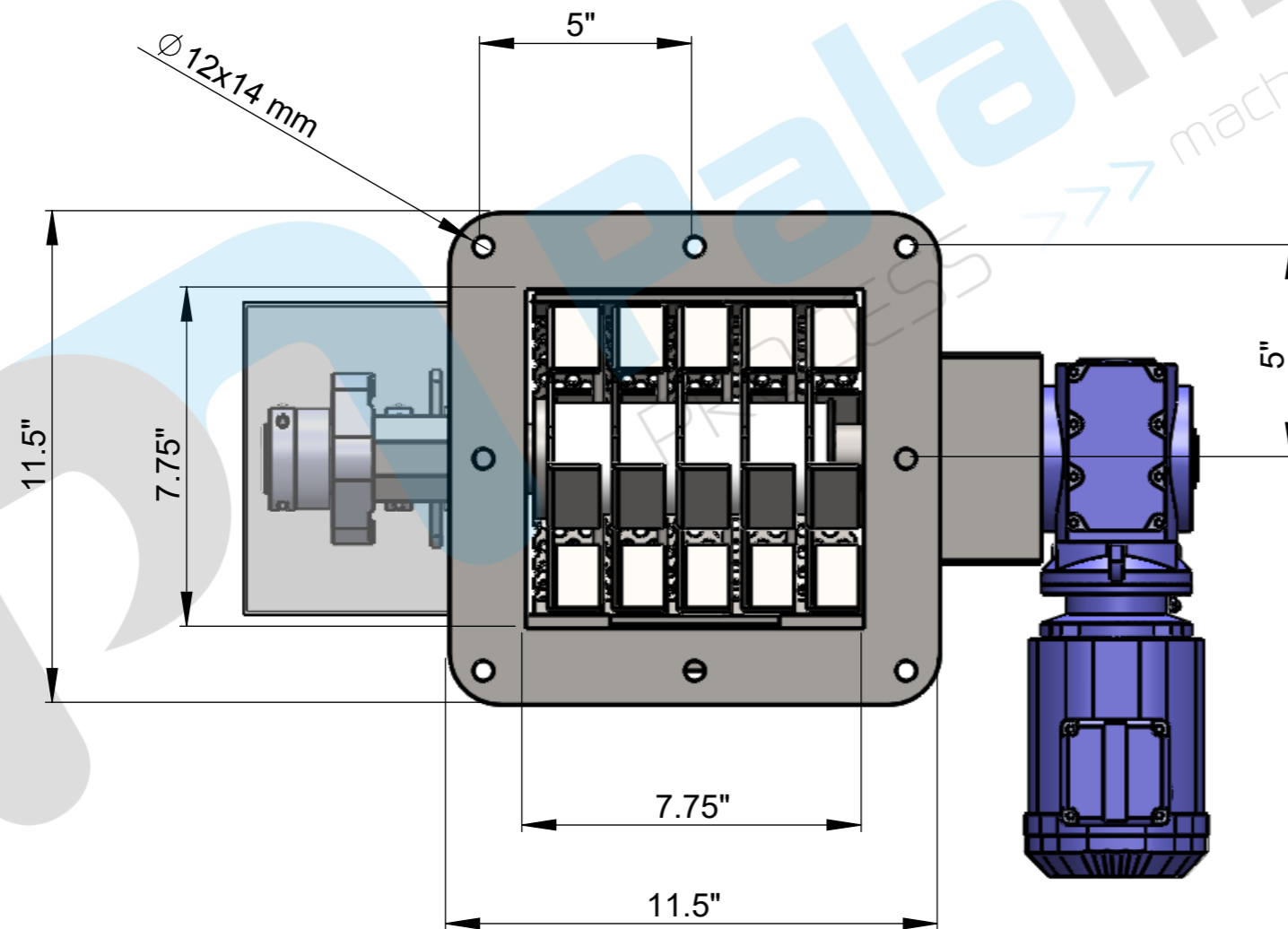
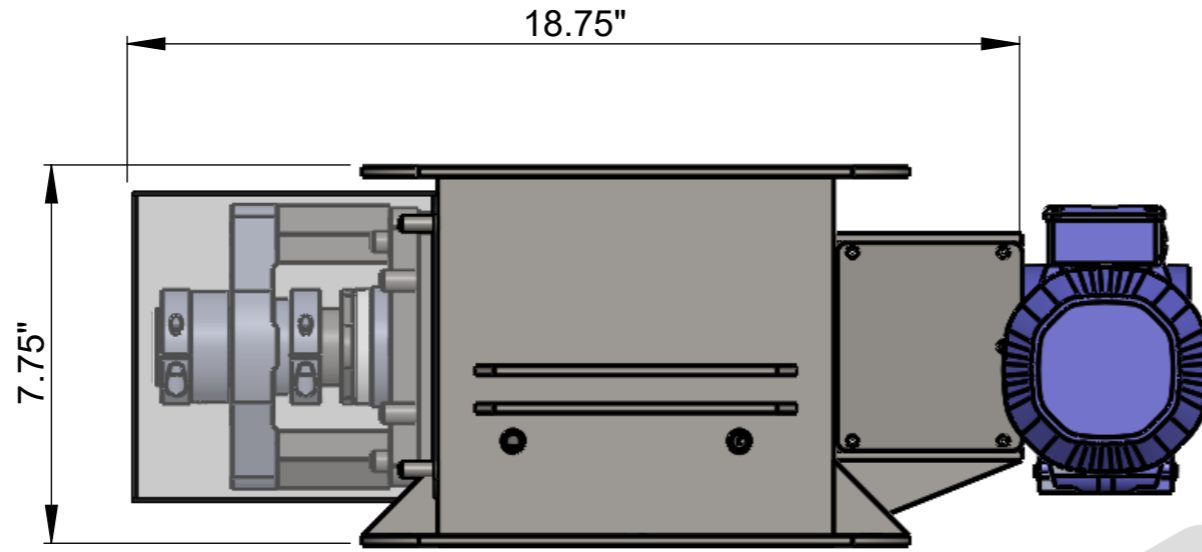
Ref. Dossier :	Client :
----------------	----------

THIS PLAN IS THE PROPERTY OF PALAMATIC - IT MAY NOT BE COPIED OR USED WITHOUT PERMISSION.

Rue de l'Ecotais
 Z.A. de la Croix rouge
 35530 BRECE
 FRANCE

<http://www.palamaticprocess.com>
 Tél. : (33) 02.99.86.06.22
 Fax : (33) 02.99.86.08.10
 E-mail : contact@palamatic.fr

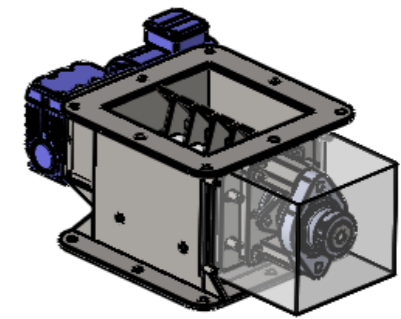
Designation : Plan commercial		Dessiné par : BILHANT	
Système : GR20 Granulator			
Format : A3	Echelle : 1:3	N° Plan : 100	Révision : A 1/2



DATE	REVISION	DESIGNATION	VISA	
			BE	Commercial
24-01-2013	A	DIFFUSION		<input checked="" type="checkbox"/>
-	-	-		

This plan is the exclusive property of PALAMATIC.

Any reproduction, any distribution even partial is strictly prohibited.
Plan for information only.



Ref. Dossier :	Client :
----------------	----------

THIS PLAN IS THE PROPERTY OF PALAMATIC - IT MAY NOT BE COPIED OR USED WITHOUT PERMISSION.

Palamatic
PROCESS >>> machines • engineering

Rue de l'Ecotais
Z.A. de la Croix rouge
35530 BRECE
FRANCE

<http://www.palamaticprocess.com>

Tél. : (33) 02.99.86.06.22
Fax : (33) 02.99.86.08.10
E-mail : contact@palamatic.fr

Designation : Plan commercial		Dessiné par : BILHANT	
Système : GR20 Granulator			
Format : A3	Echelle : 1:4	N° Plan : 100	Révision : A 2/2