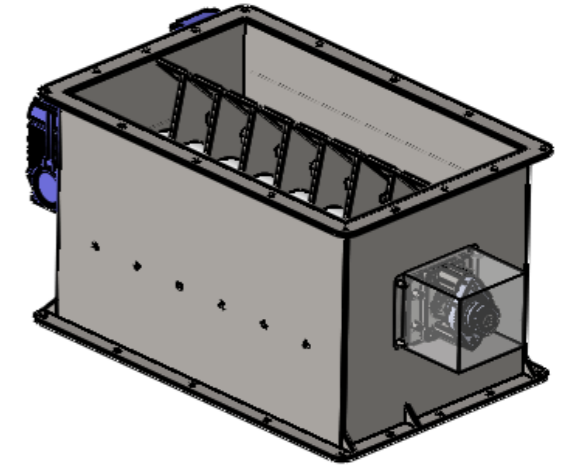


| DATE       | REVISION | DESIGNATION | VISA |                                     |
|------------|----------|-------------|------|-------------------------------------|
|            |          |             | BE   | Commercial                          |
| 24-01-2013 | A        | DIFFUSION   |      | <input checked="" type="checkbox"/> |
| -          | -        | -           |      |                                     |
|            |          |             |      |                                     |
|            |          |             |      |                                     |
|            |          |             |      |                                     |

The plan is the exclusive property of PALAMATIC.  
Any representation, any distribution, even partial is strictly prohibited.  
Plan for information.

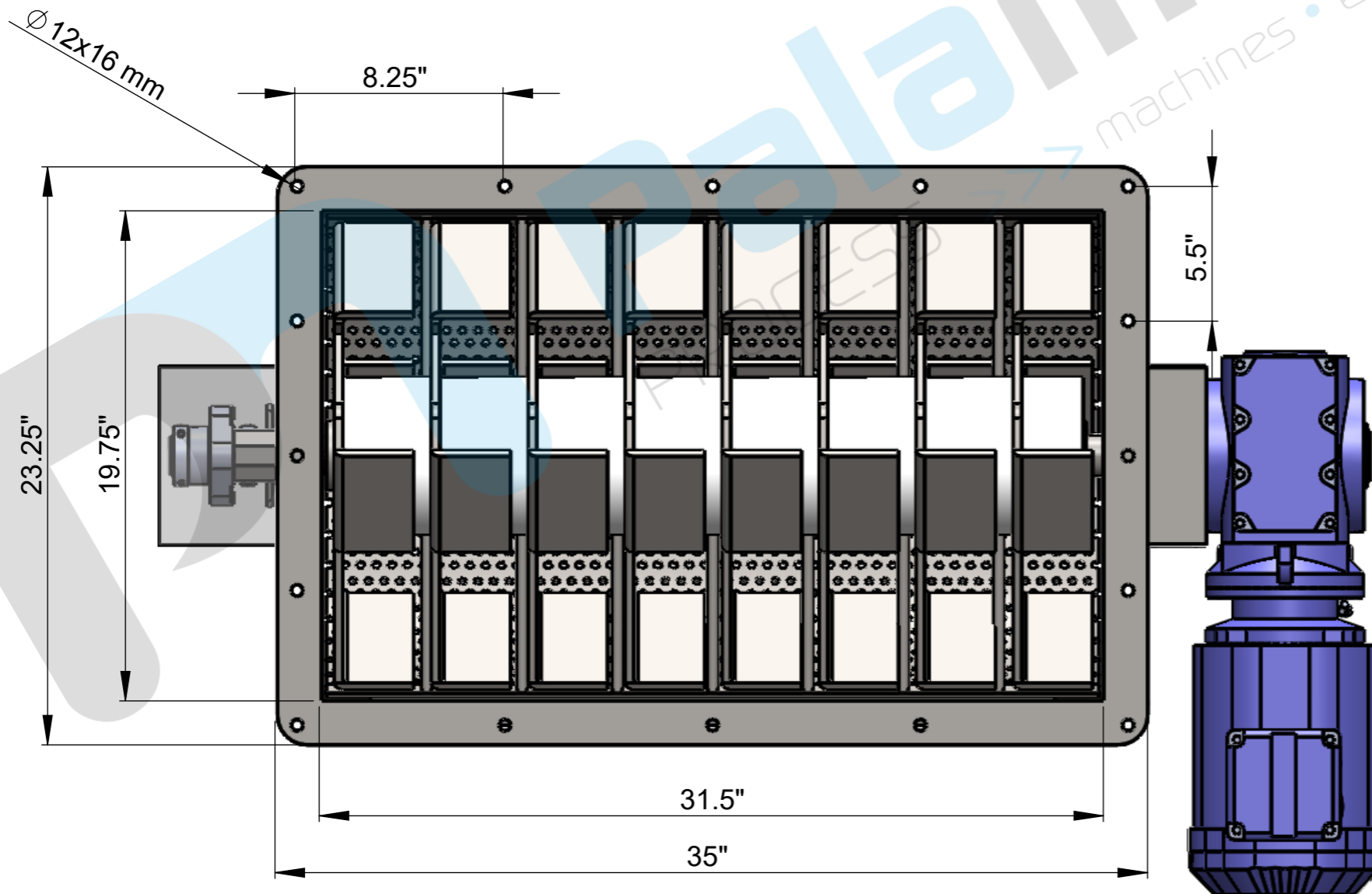
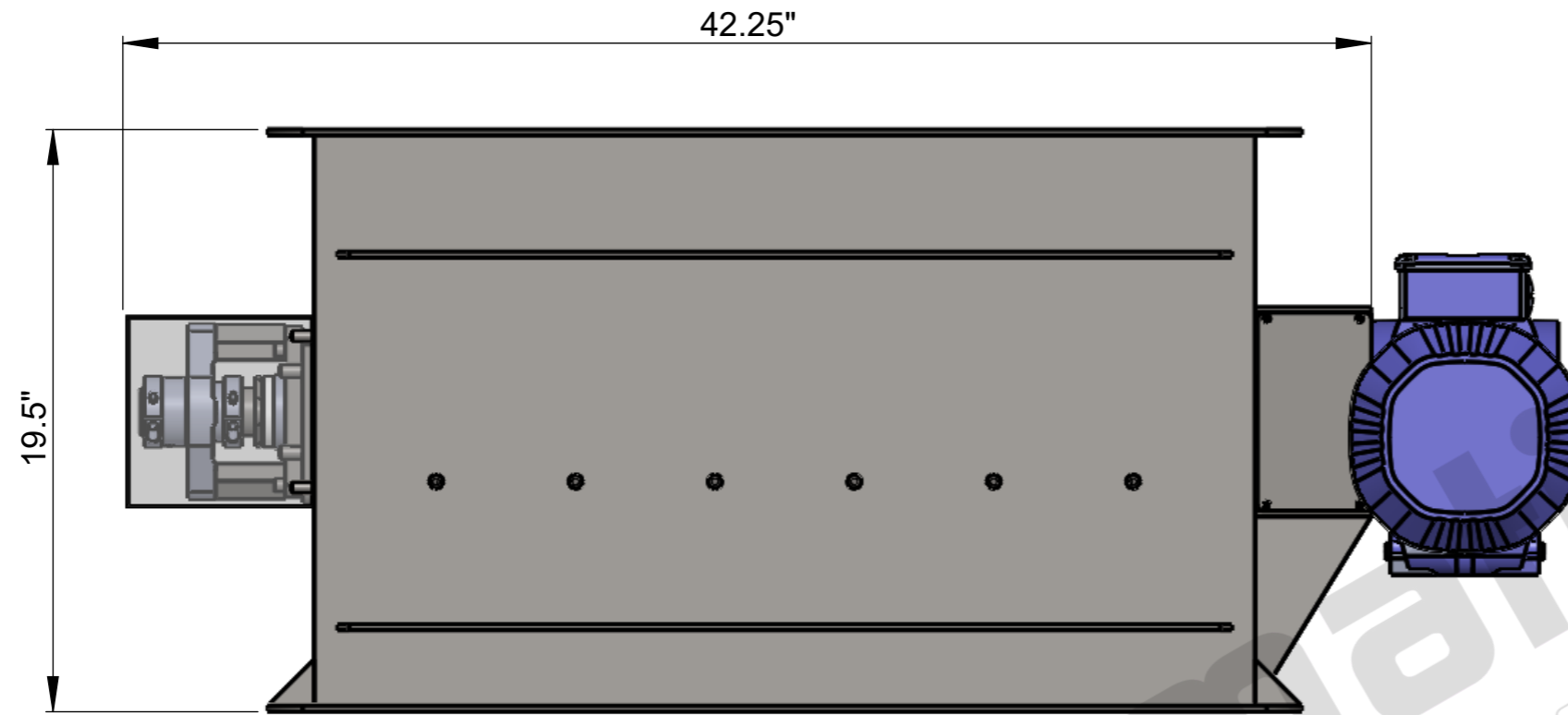


|                |          |
|----------------|----------|
| Ref. Dossier : | Client : |
|----------------|----------|

THIS PLAN IS THE PROPERTY OF PALAMATIC - IT MAY NOT BE COPIED OR USED WITHOUT PERMISSION.

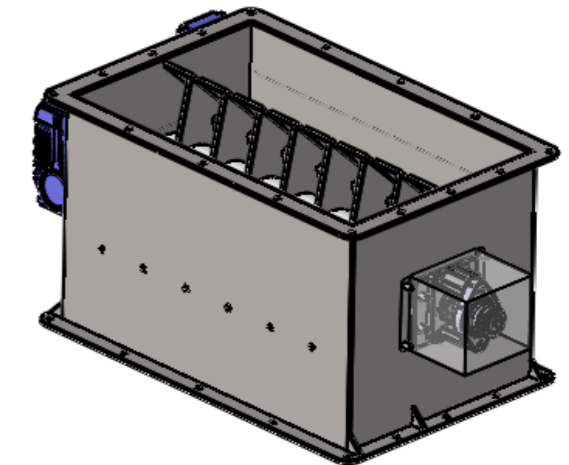
Rue de l'Ecotais  
 Z.A. de la Croix rouge  
 35530 BRECE  
 FRANCE  
<https://www.palamaticprocess.com>  
 Tél. : (33) 02.99.86.06.22  
 Fax : (33) 02.99.86.08.10  
 E-mail : contact@palamatic.fr

|                               |               |                       |                  |
|-------------------------------|---------------|-----------------------|------------------|
| Designation : Plan commercial |               | Dessiné par : BILHANT |                  |
| Système : GR70 Granulator     |               |                       |                  |
| Format : A3                   | Echelle : 1:6 | N° Plan : 100         | Révision : A 1/2 |



| DATE       | REVISION | DESIGNATION | VISA |                                     |
|------------|----------|-------------|------|-------------------------------------|
|            |          |             | BE   | Commercial                          |
| 24-01-2013 | A        | DIFFUSION   |      | <input checked="" type="checkbox"/> |
| -          | -        | -           |      |                                     |
|            |          |             |      |                                     |
|            |          |             |      |                                     |
|            |          |             |      |                                     |
|            |          |             |      |                                     |

The plan is the exclusive property of PALAMATIC.  
Any representation, any distribution, even partial is strictly prohibited.  
Plan for information.



|                |          |
|----------------|----------|
| Ref. Dossier : | Client : |
|----------------|----------|

THIS PLAN IS THE PROPERTY OF PALAMATIC - IT MAY NOT BE COPIED OR USED WITHOUT PERMISSION.

Rue de l'Ecotais  
 Z.A. de la Croix rouge  
 35530 BRECE  
 FRANCE  
<https://www.palamaticprocess.com>  
 Tél. : (33) 02.99.86.06.22  
 Fax : (33) 02.99.86.08.10  
 E-mail : contact@palamatic.fr

|                               |               |                       |                  |
|-------------------------------|---------------|-----------------------|------------------|
| Designation : Plan commercial |               | Dessiné par : BILHANT |                  |
| Système : GR70 Granulator     |               |                       |                  |
| Format : A3                   | Echelle : 1:6 | N° Plan : 100         | Revisión : A 2/2 |