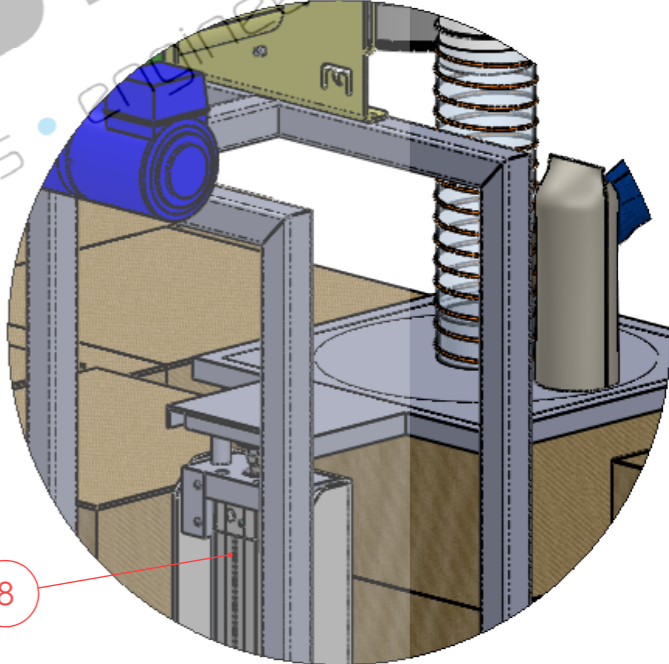


Table de nomenclature

REP.	DESIGNATION (FR)	DESIGNATION (ENGLISH)	QTE
1	POTENCE POUR LEVAGE DE CARTON	DRUM LIFTING POTENCY	1
2	CARTON	CARDBOARD BOX	10
3	DOSEUR	FEEDER	1
4	TETE DE REMPLISSAGE DE CARTON	HEAD OF FILLING BOX	1
5	CHASSIS DE PESAGE DES CARTON	CHASSIS FOR WEIGHING BOX	1
6	MANCHETTE FILTRANTE	FILTERING CUFF	1
7	CONVOYEUR A ROULEAU	ROLLER CONVEYOR	1
8	VERIN PNEUMATIQUE	PNEUMATIC CYLINDER	1



DÉTAIL A
ECHELLE 1:10

DIMENSION : [inch] / mm PLAN D'INFORMATION / INFORMATION DRAWING

PALAMATIC N'AYANT PAS EN CHARGE LE GENIE CIVIL, IL EST DE VOTRE RESPONSABILITE DE VOUS ASSURER DE LA RESISTANCE, DE LA STABILITE ET DE LA PLANEITE DE VOS SUPPORT OU SOLS RECEVANTS NOS EQUIPEMENTS, AUX DIFFERENTS EFFORTS ET CONTRAINTES AUQUELS ILS POURAIENT ETRE SOUMIS.

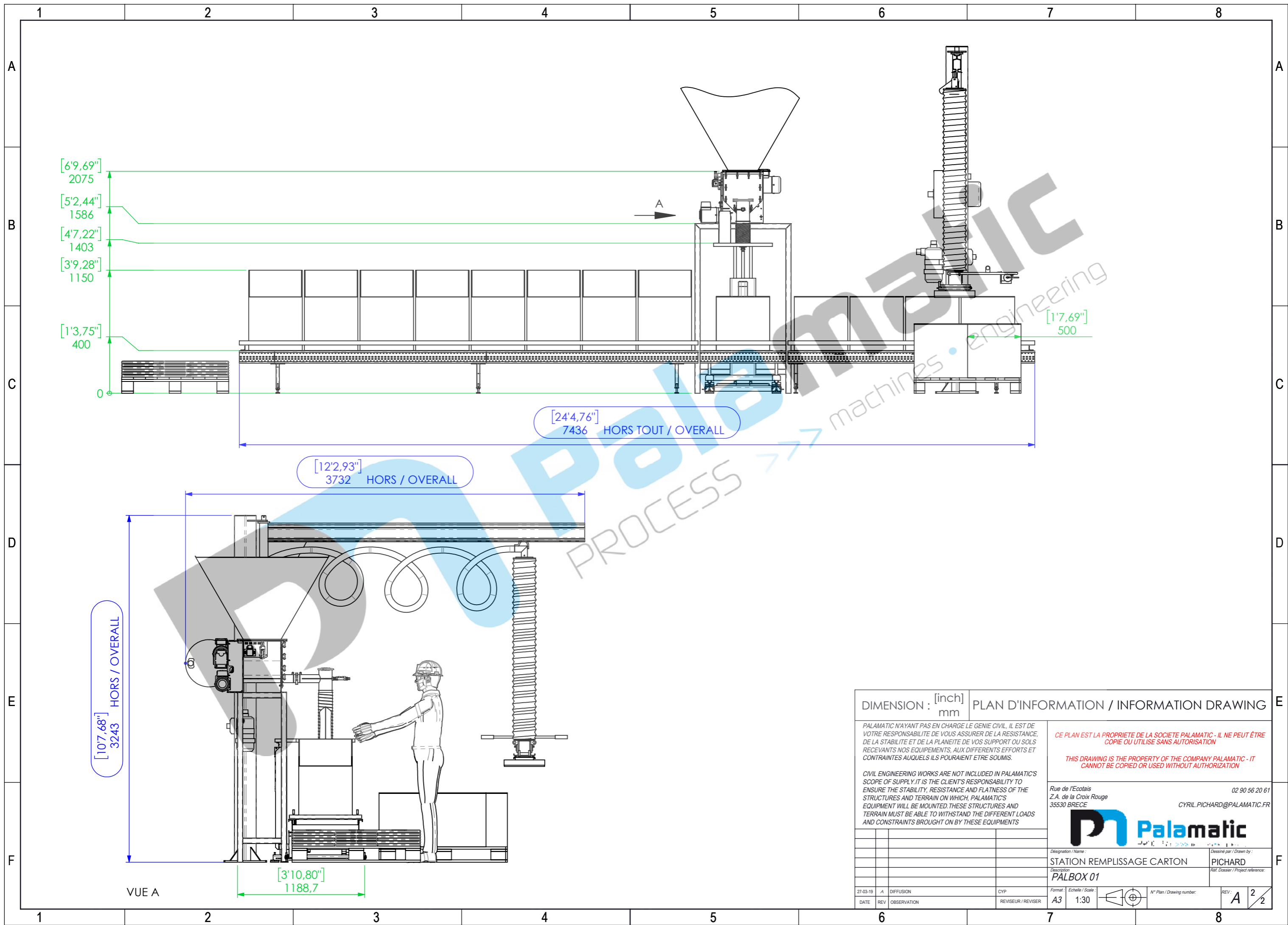
CIVIL ENGINEERING WORKS ARE NOT INCLUDED IN PALAMATIC'S SCOPE OF SUPPLY. IT IS THE CLIENT'S RESPONSIBILITY TO ENSURE THE STABILITY, RESISTANCE AND FLATNESS OF THE STRUCTURES AND TERRAIN ON WHICH, PALAMATIC'S EQUIPMENT WILL BE MOUNTED. THESE STRUCTURES AND TERRAIN MUST BE ABLE TO WITHSTAND THE DIFFERENT LOADS AND CONSTRAINTS BROUGHT ON BY THESE EQUIPMENTS

CE PLAN EST LA PROPRIETE DE LA SOCIETE PALAMATIC - IL NE PEUT ETRE COPIE OU UTILISE SANS AUTORISATION
THIS DRAWING IS THE PROPERTY OF THE COMPANY PALAMATIC - IT CANNOT BE COPIED OR USED WITHOUT AUTHORIZATION

Rue de l'Écolais 02 90 56 20 61
Z.A. de la Croix Rouge
35530 BRECE CYRIL.PICHARD@PALAMATIC.FR



Designation / Name : STATION REMPLISSAGE CARTON		Dessiné par / Drawn by : PICHARD	
Description : PALBOX 01		Ref. Dossier / Project reference:	
27-03-19	A	DIFFUSION	CYP
DATE	REV	OBSERVATION	REVISUR / REVISOR
Format / Echelle / Scale : A3 1:25		N° Plan / Drawing number: REV: A 1/2	



[6'9,69"]
2075
[5'2,44"]
1586
[4'7,22"]
1403
[3'9,28"]
1150
[1'3,75"]
400
0

[24'4,76"]
7436 HORS TOUT / OVERALL

[12'2,93"]
3732 HORS / OVERALL

[1'7,69"]
500

[10'7,68"]
3243 HORS / OVERALL

[3'10,80"]
1188,7

VUE A

DIMENSION : [inch] mm		PLAN D'INFORMATION / INFORMATION DRAWING	
<p>PALAMATIC N'AYANT PAS EN CHARGE LE GENIE CIVIL, IL EST DE VOTRE RESPONSABILITE DE VOUS ASSURER DE LA RESISTANCE, DE LA STABILITE ET DE LA PLANEITE DE VOS SUPPORT OU SOLS RECEVANTS NOS EQUIPEMENTS, AUX DIFFERENTS EFFORTS ET CONTRAINTES AUQUELS ILS POURAIENT ETRE SOUMIS.</p> <p>CIVIL ENGINEERING WORKS ARE NOT INCLUDED IN PALAMATIC'S SCOPE OF SUPPLY. IT IS THE CLIENT'S RESPONSIBILITY TO ENSURE THE STABILITY, RESISTANCE AND FLATNESS OF THE STRUCTURES AND TERRAIN ON WHICH, PALAMATIC'S EQUIPMENT WILL BE MOUNTED. THESE STRUCTURES AND TERRAIN MUST BE ABLE TO WITHSTAND THE DIFFERENT LOADS AND CONSTRAINTS BROUGHT ON BY THESE EQUIPMENTS</p>		<p>CE PLAN EST LA PROPRIETE DE LA SOCIETE PALAMATIC - IL NE PEUT ETRE COPIE OU UTILISE SANS AUTORISATION</p> <p>THIS DRAWING IS THE PROPERTY OF THE COMPANY PALAMATIC - IT CANNOT BE COPIED OR USED WITHOUT AUTHORIZATION</p>	
<p>Rue de l'Écolais Z.A. de la Croix Rouge 35530 BRECE</p>		<p>02 90 56 20 61 CYRIL.PICHARD@PALAMATIC.FR</p>	
<p>Designation / Name : STATION REMPLISSAGE CARTON</p>		<p>Dessiné par / Drawn by : PICHARD</p>	
<p>Description : PALBOX 01</p>		<p>Ref. Dossier / Project reference:</p>	
27-03-19	A	DIFFUSION	CYP
DATE	REV	OBSERVATION	REVISUR / REVISOR
Format : A3		Echelle / Scale : 1:30	
N° Plan / Drawing number :		REV: A 2/2	