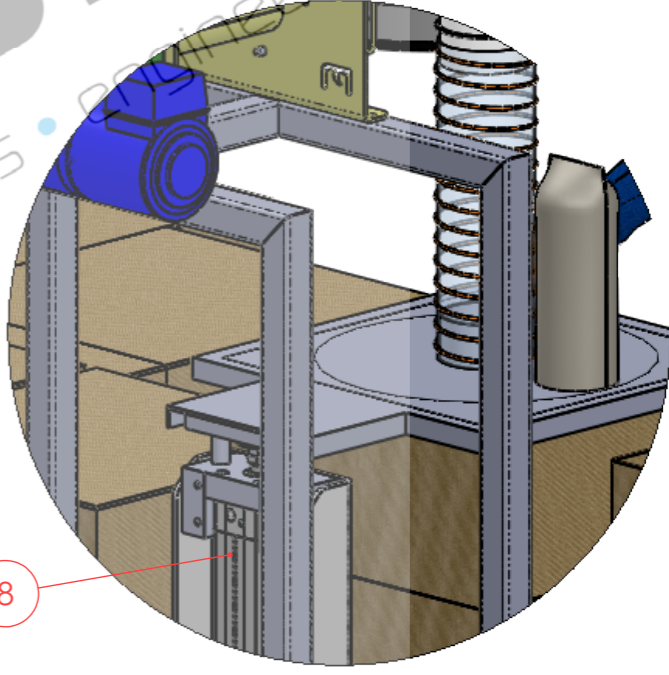


Table de nomenclature			
REP.	DESIGNATION (FR)	DESIGNATION (ENGLISH)	QTE
1	POTENCE POUR LEVAGE DE CARTON	DRUM LIFTING JIB CRANE	1
2	CARTON	CARDBOARD BOX	10
3	DOSEUR	FEEDER	1
4	TETE DE REMPLISSAGE DE CARTON	BOX FILLING HEAD	1
5	CHASSIS DE PESAGE DES CARTONS	WEIGHING STRUCTURE	1
6	MANCHETTE FILTRANTE	FILTER	1
7	CONVOYEUR A ROULEAU	ROLLER CONVEYOR	1
8	VERIN PNEUMATIQUE	PNEUMATIC CYLINDER	1



DÉTAIL A
ECHELLE 1:10

DIMENSION : [inch] / mm PLAN D'INFORMATION / INFORMATION DRAWING

PALAMATIC N'AYANT PAS EN CHARGE LE GENIE CIVIL, IL EST DE VOTRE RESPONSABILITE DE VOUS ASSURER DE LA RESISTANCE, DE LA STABILITE ET DE LA PLANEITE DE VOS SUPPORTS OU SOLS RECEVANTS NOS EQUIPEMENTS, AUX DIFFERENTS EFFORTS ET CONTRAINTES AUQUELS ILS POURAIENT ETRE SOUMIS.

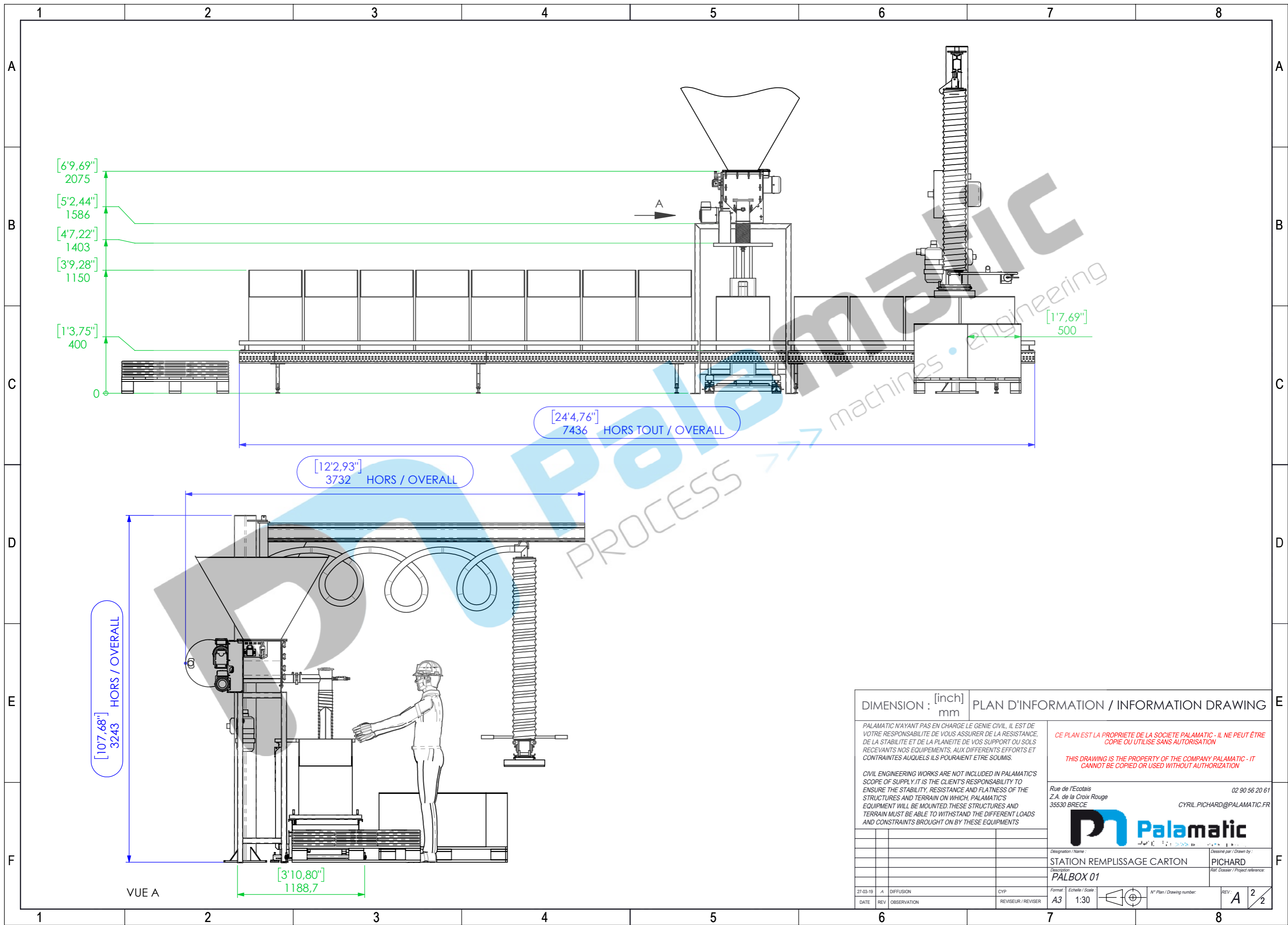
CIVIL ENGINEERING WORKS ARE NOT INCLUDED IN PALAMATIC'S SCOPE OF SUPPLY. IT IS THE CLIENT'S RESPONSIBILITY TO ENSURE THE STABILITY, RESISTANCE AND FLATNESS OF THE STRUCTURES AND TERRAIN ON WHICH, PALAMATIC'S EQUIPMENT WILL BE MOUNTED. THESE STRUCTURES AND TERRAIN MUST BE ABLE TO WITHSTAND THE DIFFERENT LOADS AND CONSTRAINTS BROUGHT ON BY THESE EQUIPMENTS

CE PLAN EST LA PROPRIETE DE LA SOCIETE PALAMATIC - IL NE PEUT ETRE COPIE OU UTILISE SANS AUTORISATION
THIS DRAWING IS THE PROPERTY OF THE COMPANY PALAMATIC - IT CANNOT BE COPIED OR USED WITHOUT AUTHORIZATION

Rue de l'Ecotais 02 90 56 20 61
Z.A. de la Croix Rouge
35530 BRECE CYRIL.PICHARD@PALAMATIC.FR



Designation / Name :		Description / Drawn by :	
STATION REMPLISSAGE CARTON		PICHARD	
Description :		Ref. Dossier / Project reference :	
PALBOX 01			
27-03-19	A	DIFFUSION	CYP
DATE	REV	OBSERVATION	REVISUR / REVISOR
Format / Echelle / Scale :		N° Plan / Drawing number :	
A3 1:25		REV: A 1/2	



DIMENSION : [inch] mm		PLAN D'INFORMATION / INFORMATION DRAWING	
<p>PALAMATIC N'AYANT PAS EN CHARGE LE GENIE CIVIL, IL EST DE VOTRE RESPONSABILITE DE VOUS ASSURER DE LA RESISTANCE, DE LA STABILITE ET DE LA PLANEITE DE VOS SUPPORT OU SOLS RECEVANTS NOS EQUIPEMENTS, AUX DIFFERENTS EFFORTS ET CONTRAINTES AUQUELS ILS POURAIENT ETRE SOUMIS.</p> <p>CIVIL ENGINEERING WORKS ARE NOT INCLUDED IN PALAMATIC'S SCOPE OF SUPPLY. IT IS THE CLIENT'S RESPONSIBILITY TO ENSURE THE STABILITY, RESISTANCE AND FLATNESS OF THE STRUCTURES AND TERRAIN ON WHICH, PALAMATIC'S EQUIPMENT WILL BE MOUNTED. THESE STRUCTURES AND TERRAIN MUST BE ABLE TO WITHSTAND THE DIFFERENT LOADS AND CONSTRAINTS BROUGHT ON BY THESE EQUIPMENTS</p>		<p>CE PLAN EST LA PROPRIETE DE LA SOCIETE PALAMATIC - IL NE PEUT ETRE COPIE OU UTILISE SANS AUTORISATION</p> <p>THIS DRAWING IS THE PROPERTY OF THE COMPANY PALAMATIC - IT CANNOT BE COPIED OR USED WITHOUT AUTHORIZATION</p>	
<p>Rue de l'Écolais Z.A. de la Croix Rouge 35530 BRECE</p>		<p>02 90 56 20 61 CYRIL.PICHARD@PALAMATIC.FR</p>	
<p>Designation / Name : STATION REMPLISSAGE CARTON</p>		<p>Dessiné par / Drawn by : PICHARD</p>	
<p>Description : PALBOX 01</p>		<p>Ref. Dossier / Project reference:</p>	
27-03-19	A	DIFFUSION	CYP
DATE	REV	OBSERVATION	REVISUR / REVISER
Format : A3		Echelle / Scale : 1:30	
N° Plan / Drawing number :		REV: A 2/2	