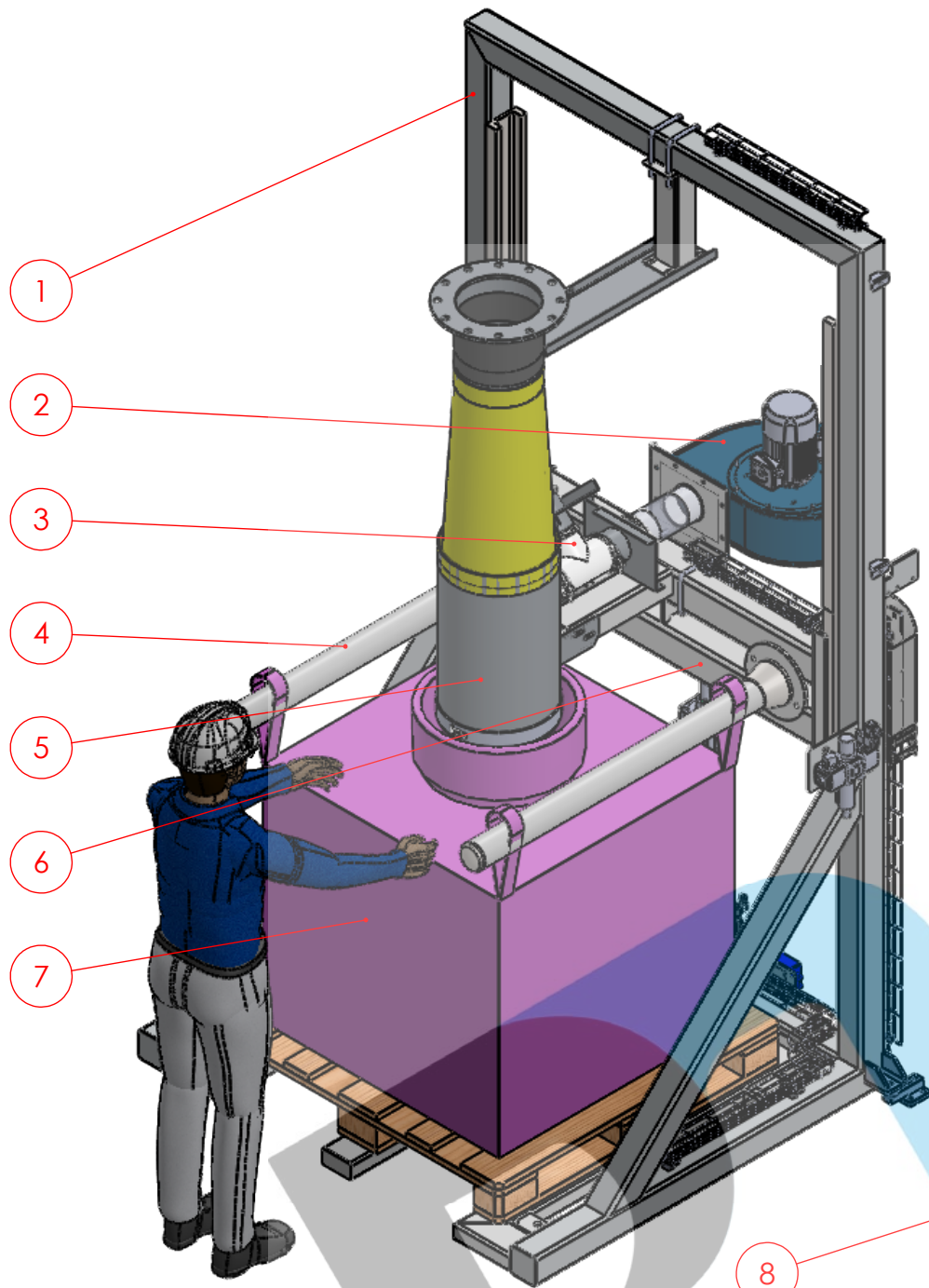


MODE DE REMPLISSAGE BIG BAG / FILLING BIG BAG METHOD



MODE DE REMPLISSAGE FUT / FILLING BARREL METHOD

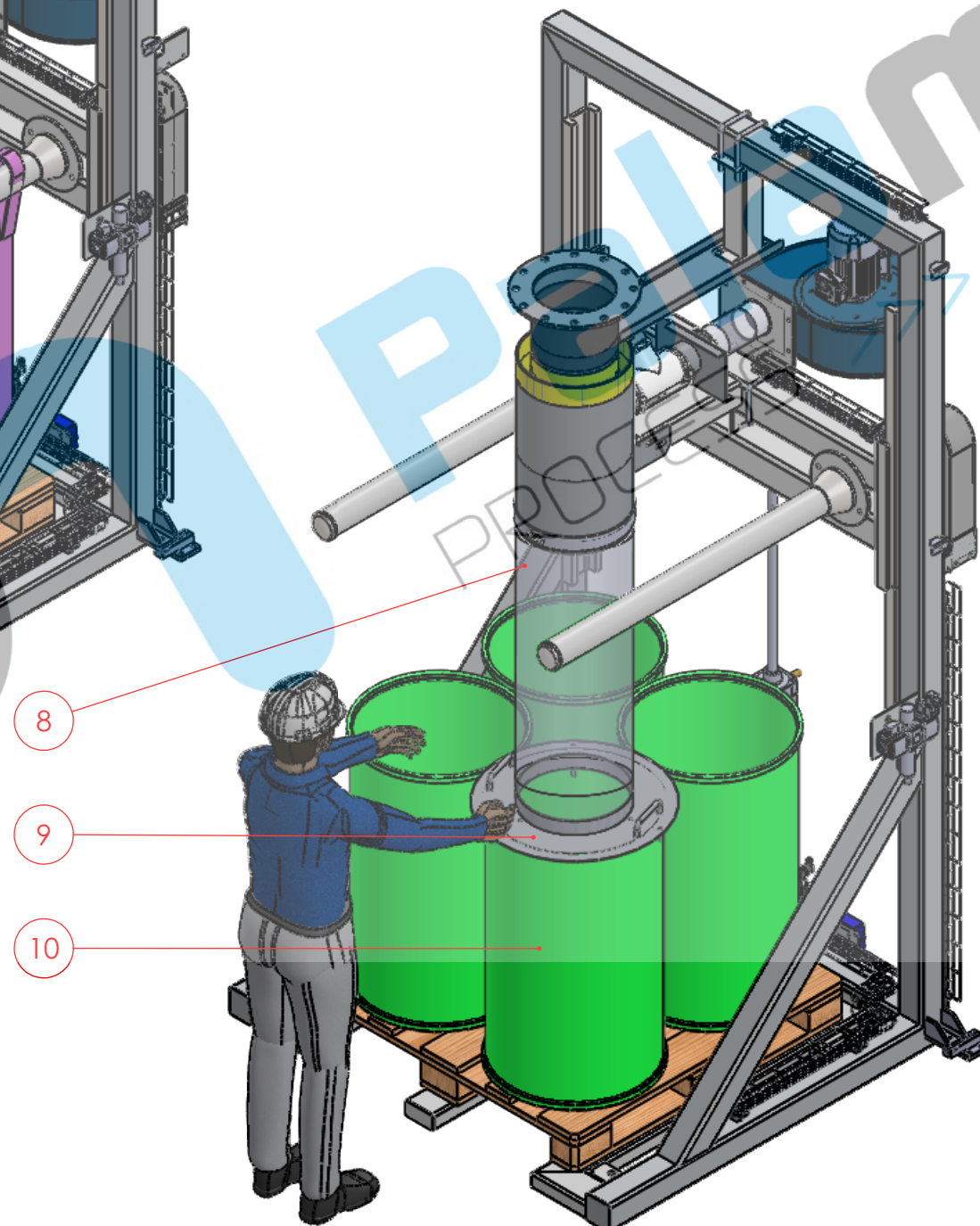
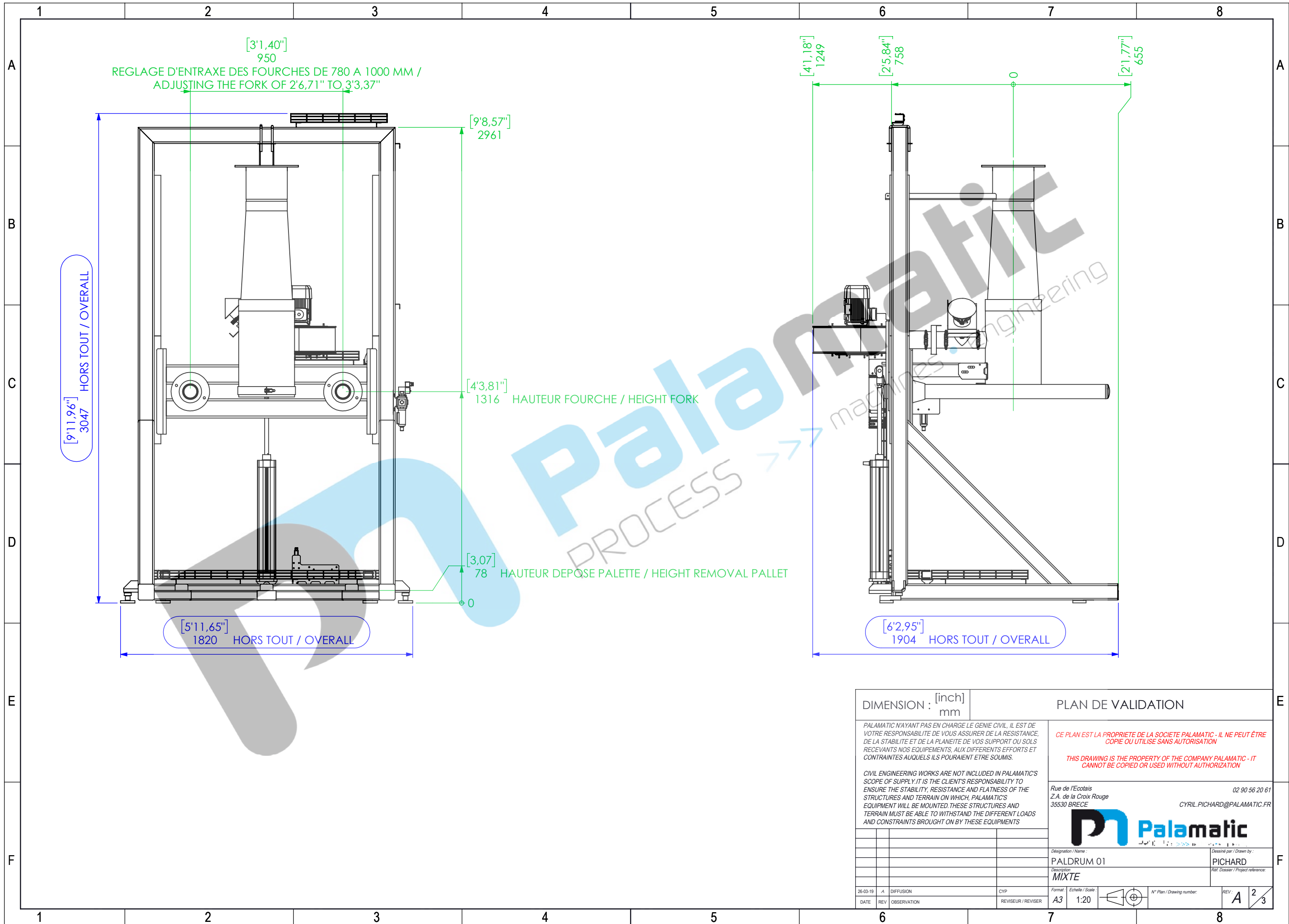


Table de nomenclature			
REP.	DESIGNATION (FR)	DESIGNATION (ENGLISH)	QTE
1	STRUCTURE	STRUCTURE	1
2	VENTILATEUR DE GONFLAGE BIG BAG	INFLATION FAN BIG BAG	1
3	PIQUAGE POUR DEPOUSSIERAGE OU MISE A L'AIR	TAPPING FOR DUST COLLECTION OR CLEARING	1
4	FOURCHE POUR ANSES BIG BAG	FORK FOR BIG BAG ANSES	2
5	TUBE DE REMPLISSAGE	FILLING TUBE	1
6	TABLIER FOURCHES	FORKS CARRIAGE	1
7	BIG BAG	BIG BAG	1
8	TUBE REMPLISSAGE FUT	FILLING TUBE BARREL	1
9	COUVERCLE REMPLISSAGE FUT	FILLING COVER BARREL	1
10	FUT	BARREL	4

DIMENSION : [inch] mm		PLAN DE VALIDATION	
<p>PALAMATIC N'AYANT PAS EN CHARGE LE GENIE CIVIL, IL EST DE VOTRE RESPONSABILITE DE VOUS ASSURER DE LA RESISTANCE, DE LA STABILITE ET DE LA PLANEITE DE VOS SUPPORT OU SOLS RECEVANTS NOS EQUIPEMENTS, AUX DIFFERENTS EFFORTS ET CONTRAINTES AUQUELS ILS POURAIENT ETRE SOUMIS.</p> <p>CIVIL ENGINEERING WORKS ARE NOT INCLUDED IN PALAMATIC'S SCOPE OF SUPPLY. IT IS THE CLIENT'S RESPONSIBILITY TO ENSURE THE STABILITY, RESISTANCE AND FLATNESS OF THE STRUCTURES AND TERRAIN ON WHICH, PALAMATIC'S EQUIPMENT WILL BE MOUNTED. THESE STRUCTURES AND TERRAIN MUST BE ABLE TO WITHSTAND THE DIFFERENT LOADS AND CONSTRAINTS BROUGHT ON BY THESE EQUIPMENTS</p>		<p>CE PLAN EST LA PROPRIETE DE LA SOCIETE PALAMATIC - IL NE PEUT ÊTRE COPIÉ OU UTILISÉ SANS AUTORISATION</p> <p>THIS DRAWING IS THE PROPERTY OF THE COMPANY PALAMATIC - IT CANNOT BE COPIED OR USED WITHOUT AUTHORIZATION</p>	
<p>Rue de l'Écolais Z.A. de la Croix Rouge 35530 BRECE</p>		<p>02 90 56 20 61 CYRIL.PICHARD@PALAMATIC.FR</p>	
<p>Designation / Name : PALDRUM 01</p>		<p>Dessiné par / Drawn by : PICHARD</p>	
<p>Description : MIXTE</p>		<p>Ref. Dossier / Project reference:</p>	
26-03-19	A	DIFFUSION	CYP
DATE	REV	OBSERVATION	REVISER / REVISER
<p>Format : Echelle / Scale : A3 1:20</p>		<p>N° Plan / Drawing number : REV: A 1/3</p>	



[3'1,40"]
950
REGLAGE D'ENTRAXE DES FOURCHES DE 780 A 1000 MM /
ADJUSTING THE FORK OF 2'6,71" TO 3'3,37"

[9'11,96"]
3047
HORS TOUT / OVERALL

[5'11,65"]
1820
HORS TOUT / OVERALL

[9'8,57"]
2961

[4'3,81"]
1316
HAUTEUR FOURCHE / HEIGHT FORK

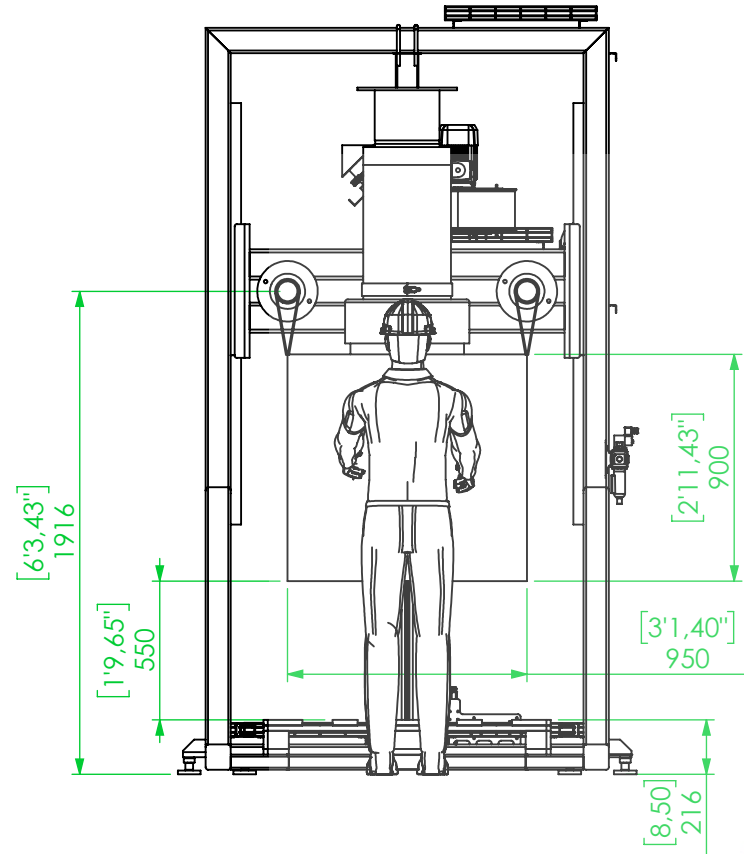
[3,07]
78
HAUTEUR DEPOSE PALETTE / HEIGHT REMOVAL PALLET

[4'1,18"]
1249
[2'5,84"]
758
[2'1,77"]
655

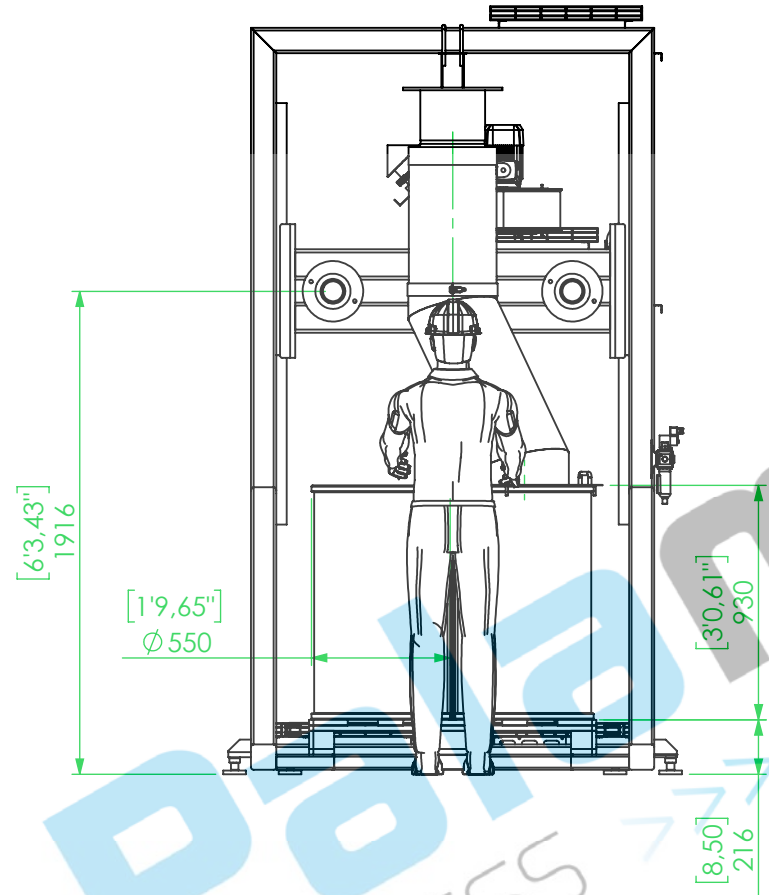
[6'2,95"]
1904
HORS TOUT / OVERALL

DIMENSION : [inch] mm		PLAN DE VALIDATION	
<p>PALAMATIC N'AYANT PAS EN CHARGE LE GENIE CIVIL, IL EST DE VOTRE RESPONSABILITE DE VOUS ASSURER DE LA RESISTANCE, DE LA STABILITE ET DE LA PLANEITE DE VOS SUPPORT OU SOLS RECEVANTS NOS EQUIPEMENTS, AUX DIFFERENTS EFFORTS ET CONTRAINTES AUQUELS ILS POURAIENT ETRE SOUMIS.</p> <p>CIVIL ENGINEERING WORKS ARE NOT INCLUDED IN PALAMATIC'S SCOPE OF SUPPLY. IT IS THE CLIENT'S RESPONSIBILITY TO ENSURE THE STABILITY, RESISTANCE AND FLATNESS OF THE STRUCTURES AND TERRAIN ON WHICH, PALAMATIC'S EQUIPMENT WILL BE MOUNTED. THESE STRUCTURES AND TERRAIN MUST BE ABLE TO WITHSTAND THE DIFFERENT LOADS AND CONSTRAINTS BROUGHT ON BY THESE EQUIPMENTS</p>		<p>CE PLAN EST LA PROPRIETE DE LA SOCIETE PALAMATIC - IL NE PEUT ETRE COPIE OU UTILISE SANS AUTORISATION</p> <p>THIS DRAWING IS THE PROPERTY OF THE COMPANY PALAMATIC - IT CANNOT BE COPIED OR USED WITHOUT AUTHORIZATION</p>	
<p>Rue de l'Ecotais Z.A. de la Croix Rouge 35530 BRECE</p>		<p>02 90 56 20 61 CYRIL.PICHARD@PALAMATIC.FR</p>	
<p>Designation / Name : PALDRUM 01</p>		<p>Dessiné par / Drawn by : PICHARD</p>	
<p>Description : MIXTE</p>		<p>Ref. Dossier / Project reference:</p>	
26-03-19	A	DIFFUSION	CYP
DATE	REV	OBSERVATION	REVISUR / REVISOR
Format : Echelle / Scale : A3 1:20		N° Plan / Drawing number : REV: A 2 / 3	

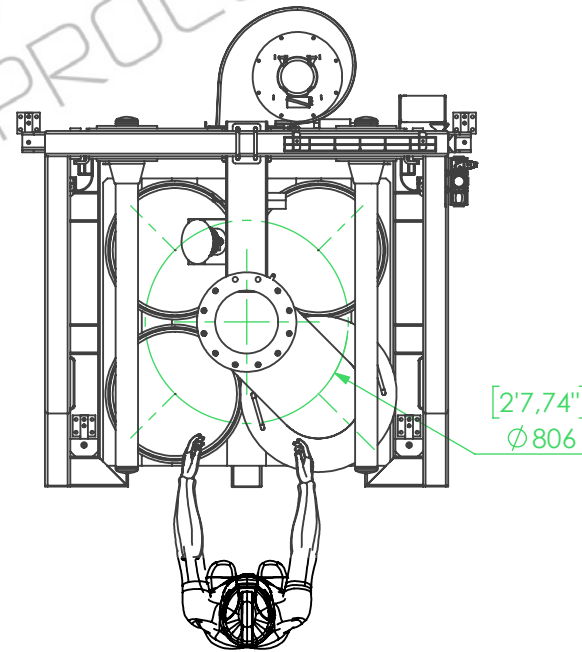
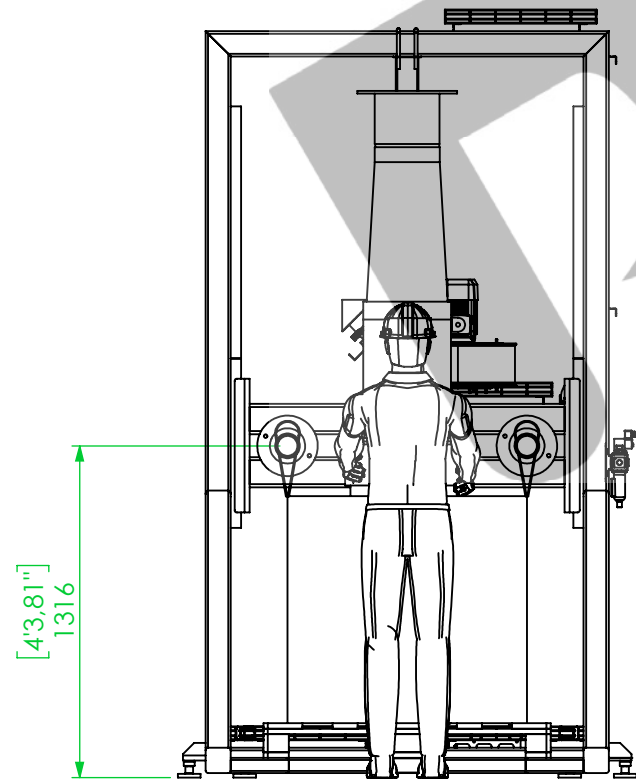
**POSITION REPLISSAGE BIGBAG /
FILLING BIGBAG POSITION**



**REPLISSAGE FUTS /
BARREL FILLING**



**POSITION MISE EN PLACE BIGBAG ET
LARGAGE BIGBAG /
POSITION SETTING BIGBAG AND
BIGBAG LARGAGE**



DIMENSION : [inch] mm		PLAN DE VALIDATION	
<p>PALAMATIC N'AYANT PAS EN CHARGE LE GENIE CIVIL, IL EST DE VOTRE RESPONSABILITE DE VOUS ASSURER DE LA RESISTANCE, DE LA STABILITE ET DE LA PLANEITE DE VOS SUPPORT OU SOLS RECEVANTS NOS EQUIPEMENTS, AUX DIFFERENTS EFFORTS ET CONTRAINTES AUQUELS ILS POURAIENT ETRE SOUMIS.</p> <p>CIVIL ENGINEERING WORKS ARE NOT INCLUDED IN PALAMATIC'S SCOPE OF SUPPLY. IT IS THE CLIENT'S RESPONSABILITY TO ENSURE THE STABILITY, RESISTANCE AND FLATNESS OF THE STRUCTURES AND TERRAIN ON WHICH, PALAMATIC'S EQUIPMENT WILL BE MOUNTED. THESE STRUCTURES AND TERRAIN MUST BE ABLE TO WITHSTAND THE DIFFERENT LOADS AND CONSTRAINTS BROUGHT ON BY THESE EQUIPMENTS</p>		<p>CE PLAN EST LA PROPRIETE DE LA SOCIETE PALAMATIC - IL NE PEUT ÊTRE COPIÉ OU UTILISÉ SANS AUTORISATION</p> <p>THIS DRAWING IS THE PROPERTY OF THE COMPANY PALAMATIC - IT CANNOT BE COPIED OR USED WITHOUT AUTHORIZATION</p>	
<p>Rue de l'Écolais Z.A. de la Croix Rouge 35530 BRECE</p>		<p>02 90 56 20 61 CYRIL.PICHARD@PALAMATIC.FR</p>	
<p>Designation / Name : PALDRUM 01</p>		<p>Dessiné par / Drawn by : PICHARD</p>	
<p>DATE : 26-03-19</p>		<p>Ref. Dossier / Project reference: MIXTE</p>	
<p>REV : A</p>		<p>Format / Echelle / Scale : A3 1:30</p>	
<p>DIFFUSION</p>		<p>N° Plan / Drawing number: A 3</p>	
<p>REVISIONS</p>		<p>REVISER / REVISER</p>	