

Table de nomenclature			
REP.	DESIGNATION (FR)	DESIGNATION (ENGLISH)	QTE
1	POTENCE POUR LEVAGE DES SACS	SACK LIFTING JIB CRANE	1
2	SOUDEUSE DE SAC	IMPULSE SACK SEALER	1
3	CONVOYEUR DE SORTIE	EXIT CONVEYOR	1
4	ENSACHEUSE A MORS	FILLING STATION JAW SACK WITH CLAMPING JAW	1
5	DOSEUR	FEEDER	1
6	POSTE DE PESAGE	WEIGHING STATION	1

DIMENSION : [inch] / mm      PLAN D'INFORMATION / INFORMATION DRAWING

PALAMATIC N'AYANT PAS EN CHARGE LE GENIE CIVIL, IL EST DE VOTRE RESPONSABILITE DE VOUS ASSURER DE LA RESISTANCE, DE LA STABILITE ET DE LA PLANEITE DE VOS SUPPORT OU SOLS RECEVANTS NOS EQUIPEMENTS, AUX DIFFERENTS EFFORTS ET CONTRAINTES AUQUELS ILS POURAIENT ETRE SOUMIS.

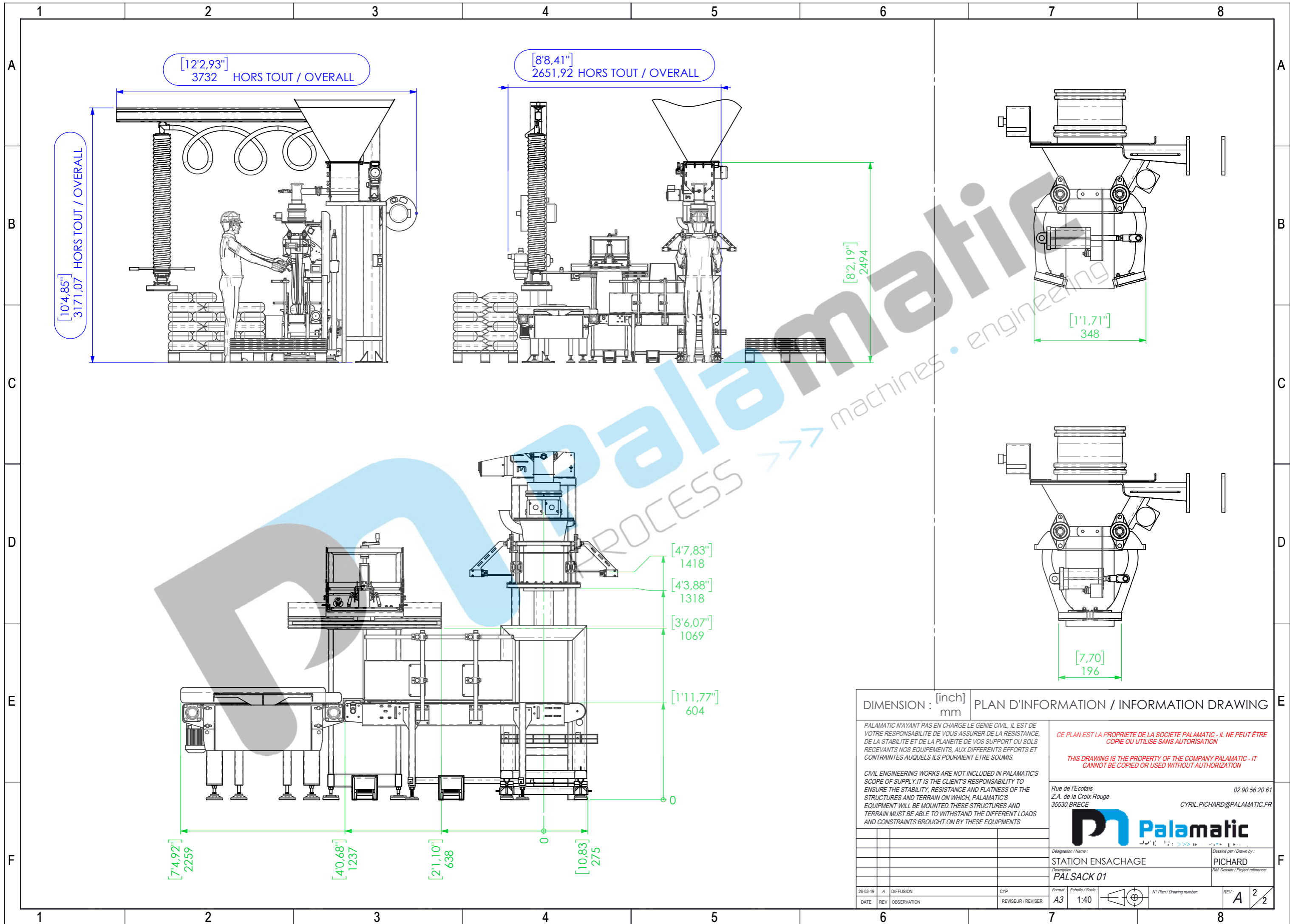
CIVIL ENGINEERING WORKS ARE NOT INCLUDED IN PALAMATIC'S SCOPE OF SUPPLY. IT IS THE CLIENT'S RESPONSIBILITY TO ENSURE THE STABILITY, RESISTANCE AND FLATNESS OF THE STRUCTURES AND TERRAIN ON WHICH, PALAMATIC'S EQUIPMENT WILL BE MOUNTED. THESE STRUCTURES AND TERRAIN MUST BE ABLE TO WITHSTAND THE DIFFERENT LOADS AND CONSTRAINTS BROUGHT ON BY THESE EQUIPMENTS

CE PLAN EST LA PROPRIETE DE LA SOCIETE PALAMATIC - IL NE PEUT ETRE COPIE OU UTILISE SANS AUTORISATION  
THIS DRAWING IS THE PROPERTY OF THE COMPANY PALAMATIC - IT CANNOT BE COPIED OR USED WITHOUT AUTHORIZATION

Rue de l'Ecotais      02 90 56 20 61  
Z.A. de la Croix Rouge  
35530 BRECE      CYRIL.PICHARD@PALAMATIC.FR



Designation / Name :		Description / Drawn by :	
STATION ENSACHAGE		PICHARD	
Description :		Ref. Dossier / Project reference :	
PALSACK 01			
28-03-19	A	DIFFUSION	CYP
DATE	REV	OBSERVATION	REVISER / REVISER
Format / Echelle / Scale :		N° Plan / Drawing number :	
A3 1:20		REV: A 1/2	



DIMENSION : [inch] / mm		PLAN D'INFORMATION / INFORMATION DRAWING	
<p>PALAMATIC N'AYANT PAS EN CHARGE LE GENIE CIVIL, IL EST DE VOTRE RESPONSABILITE DE VOUS ASSURER DE LA RESISTANCE, DE LA STABILITE ET DE LA PLANEITE DE VOS SUPPORT OU SOLS RECEVANTS NOS EQUIPEMENTS, AUX DIFFERENTS EFFORTS ET CONTRAINTES AUQUELS ILS POURAIENT ETRE SOUMIS.</p> <p>CIVIL ENGINEERING WORKS ARE NOT INCLUDED IN PALAMATIC'S SCOPE OF SUPPLY. IT IS THE CLIENT'S RESPONSIBILITY TO ENSURE THE STABILITY, RESISTANCE AND FLATNESS OF THE STRUCTURES AND TERRAIN ON WHICH, PALAMATIC'S EQUIPMENT WILL BE MOUNTED. THESE STRUCTURES AND TERRAIN MUST BE ABLE TO WITHSTAND THE DIFFERENT LOADS AND CONSTRAINTS BROUGHT ON BY THESE EQUIPMENTS</p>		<p>CE PLAN EST LA PROPRIETE DE LA SOCIETE PALAMATIC - IL NE PEUT ETRE COPIE OU UTILISE SANS AUTORISATION</p> <p>THIS DRAWING IS THE PROPERTY OF THE COMPANY PALAMATIC - IT CANNOT BE COPIED OR USED WITHOUT AUTHORIZATION</p>	
<p>Rue de l'Écolais Z.A. de la Croix Rouge 35530 BRECE</p>		<p>02 90 56 20 61 CYRIL.PICHARD@PALAMATIC.FR</p>	
<p>Designation / Name : <b>STATION ENSACHAGE</b></p>		<p>Dessiné par / Drawn by : <b>PICHARD</b></p>	
<p>Description : <b>PALSACK 01</b></p>		<p>Ref. Dossier / Project reference:</p>	
28-03-19	A	DIFFUSION	CYP
DATE	REV	OBSERVATION	REVISUR / REVISER
<p>Format : Echelle / Scale : A3 1:40</p>		<p>N° Plan / Drawing number : REV: A 2 / 2</p>	