

Table de nomenclature			
REP.	DESIGNATION (FR)	DESIGNATION (ENGLISH)	QTE
1	SAUTERELLE A CROCHET	CLAMP LEVER	2
2	PORTE VIDE SAC	SACKTIP DOOR	1
3	CORPS VIDE SAC	SACKTIP BODY	1
4	SYSTEME PNEUMATIQUE DE DECOUPE SAC	PNEUMATIC SACKS CUTTING SYSTEM	1
5	FILTRE REGULATEUR PNEUMATIQUE	PNEUMATIC REGULATOR FILTER	1
6	VANNE DE VIDANGE PRODUIT	OUTLET PRODUCT VALVE	1
7	COMPACTEUR DE SAC	SACK COMPACTOR	1
8	COUTEAU	BLADE	1
9	BOUTON POUR DECOUPE SAC	BUTTON FOR BLADE ACTIVATION	2
10	VIBREUR PNEUMATIQUE	PNEUMATIC VIBRATOR	2

DIMENSION : [inch] / mm PLAN D'INFORMATION / INFORMATION DRAWING

PALAMATIC N'AYANT PAS EN CHARGE LE GENIE CIVIL, IL EST DE VOTRE RESPONSABILITE DE VOUS ASSURER DE LA RESISTANCE, DE LA STABILITE ET DE LA PLANEITE DE VOS SUPPORT OU SOLS RECEVANTS NOS EQUIPEMENTS, AUX DIFFERENTS EFFORTS ET CONTRAINTES AUQUELS ILS POURAIENT ETRE SOUMIS.

CE PLAN EST LA PROPRIETE DE LA SOCIETE PALAMATIC - IL NE PEUT ETRE COPIE OU UTILISE SANS AUTORISATION
THIS DRAWING IS THE PROPERTY OF THE COMPANY PALAMATIC - IT CANNOT BE COPIED OR USED WITHOUT AUTHORIZATION

CIVIL ENGINEERING WORKS ARE NOT INCLUDED IN PALAMATIC'S SCOPE OF SUPPLY. IT IS THE CLIENT'S RESPONSIBILITY TO ENSURE THE STABILITY, RESISTANCE AND FLATNESS OF THE STRUCTURES AND TERRAIN ON WHICH, PALAMATIC'S EQUIPMENT WILL BE MOUNTED. THESE STRUCTURES AND TERRAIN MUST BE ABLE TO WITHSTAND THE DIFFERENT LOADS AND CONSTRAINTS BROUGHT ON BY THESE EQUIPMENTS

Rue de l'Écolais 02 90 56 20 61
Z.A. de la Croix Rouge
35530 BRECE
CYRIL.PICHARD@PALAMATIC.FR



Designation / Name : VIDE SAC SIMPLE		Dessiné par / Drawn by : PICHARD	
Description : SACKTIP ERGOTIP		Ref. Dossier / Project reference :	
25-03-19	A	DIFFUSION	CYP
DATE	REV	OBSERVATION	REVISER / REVISER
Format : Echelle / Scale : A3 1:15		N° Plan / Drawing number : REV: A 1/3	

SACKTIP FERME / CLOSED

[6'6,66"]
1998 HORS TOUT / OVERALL

[5'11,59"]
1818 HORS TOUT / OVERALL

[3'2,47"]
977
[3'0,01"]
915
[2'7,10"]
790

[4'4,48"]
1333

[4'6,55"]
1386 HORS TOUT / OVERALL

[1'1,90"]
353

[1'1,90"]
353

[2'3,83"]
707

[3'11,19"]
1199

[3'8,45"]
1129

[3'5,73"]
1060

DIMENSION : [inch] / mm PLAN D'INFORMATION / INFORMATION DRAWING

PALAMATIC N'AYANT PAS EN CHARGE LE GENIE CIVIL, IL EST DE VOTRE RESPONSABILITE DE VOUS ASSURER DE LA RESISTANCE, DE LA STABILITE ET DE LA PLANEITE DE VOS SUPPORT OU SOLS RECEVANTS NOS EQUIPEMENTS, AUX DIFFERENTS EFFORTS ET CONTRAINTES AUQUELS ILS POURAIENT ETRE SOUMIS.

CE PLAN EST LA PROPRIETE DE LA SOCIETE PALAMATIC - IL NE PEUT ETRE COPIE OU UTILISE SANS AUTORISATION
THIS DRAWING IS THE PROPERTY OF THE COMPANY PALAMATIC - IT CANNOT BE COPIED OR USED WITHOUT AUTHORIZATION

CIVIL ENGINEERING WORKS ARE NOT INCLUDED IN PALAMATIC'S SCOPE OF SUPPLY. IT IS THE CLIENT'S RESPONSIBILITY TO ENSURE THE STABILITY, RESISTANCE AND FLATNESS OF THE STRUCTURES AND TERRAIN ON WHICH, PALAMATIC'S EQUIPMENT WILL BE MOUNTED. THESE STRUCTURES AND TERRAIN MUST BE ABLE TO WITHSTAND THE DIFFERENT LOADS AND CONSTRAINTS BROUGHT ON BY THESE EQUIPMENTS

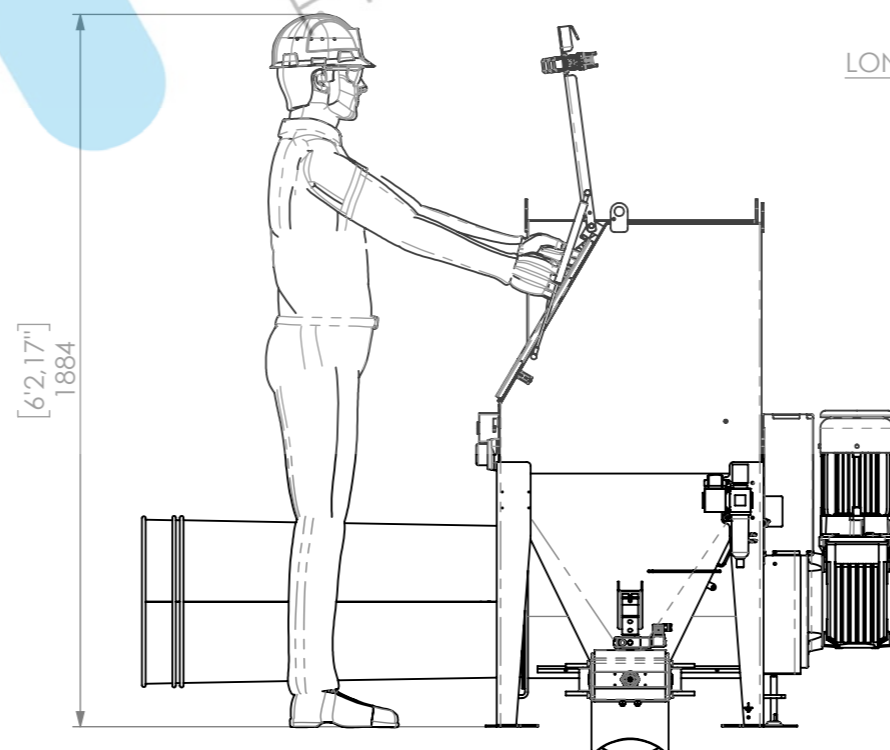
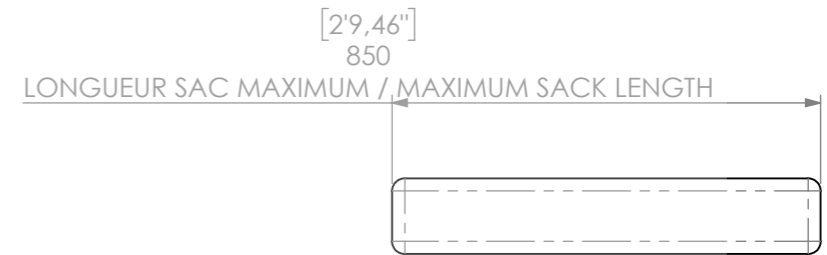
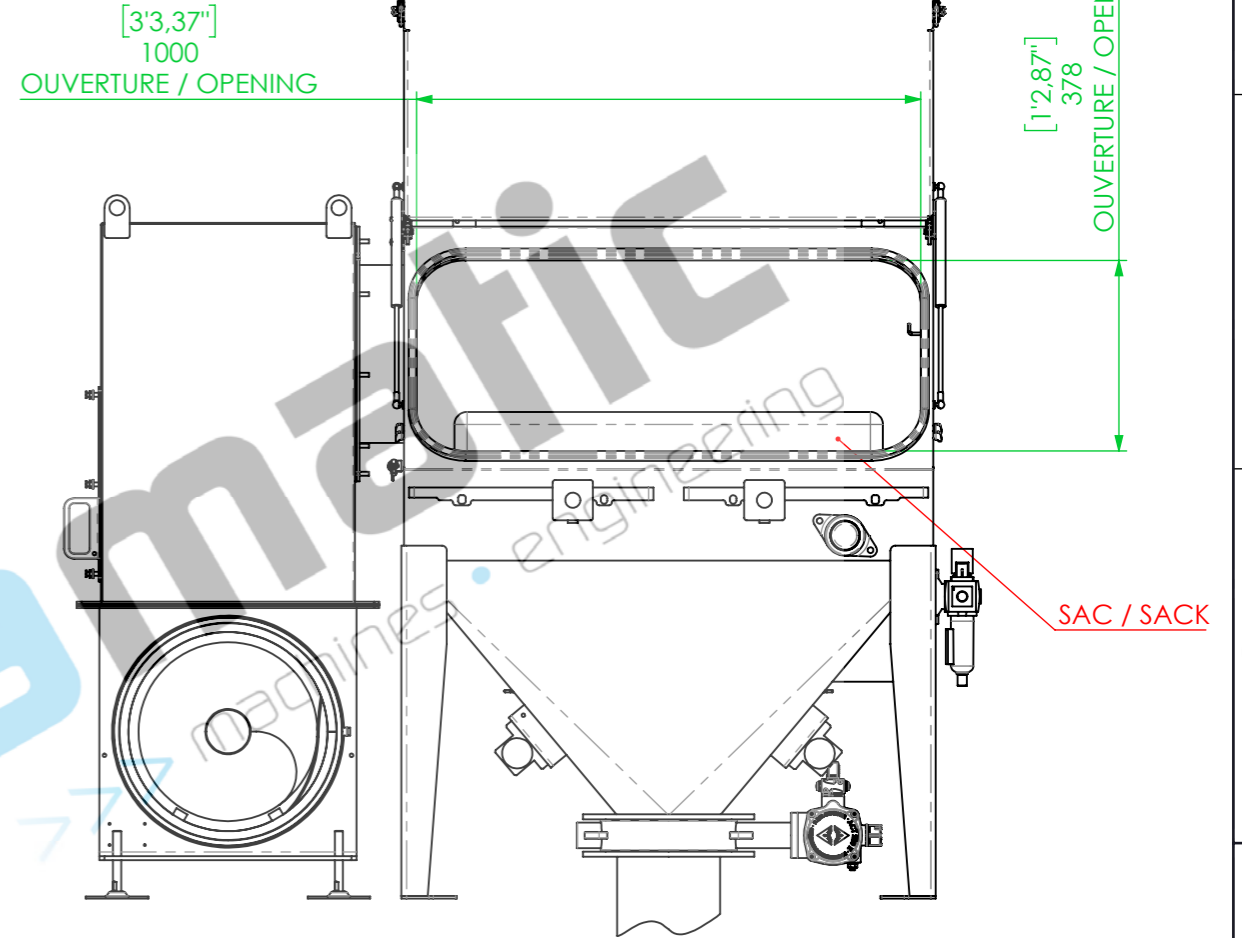
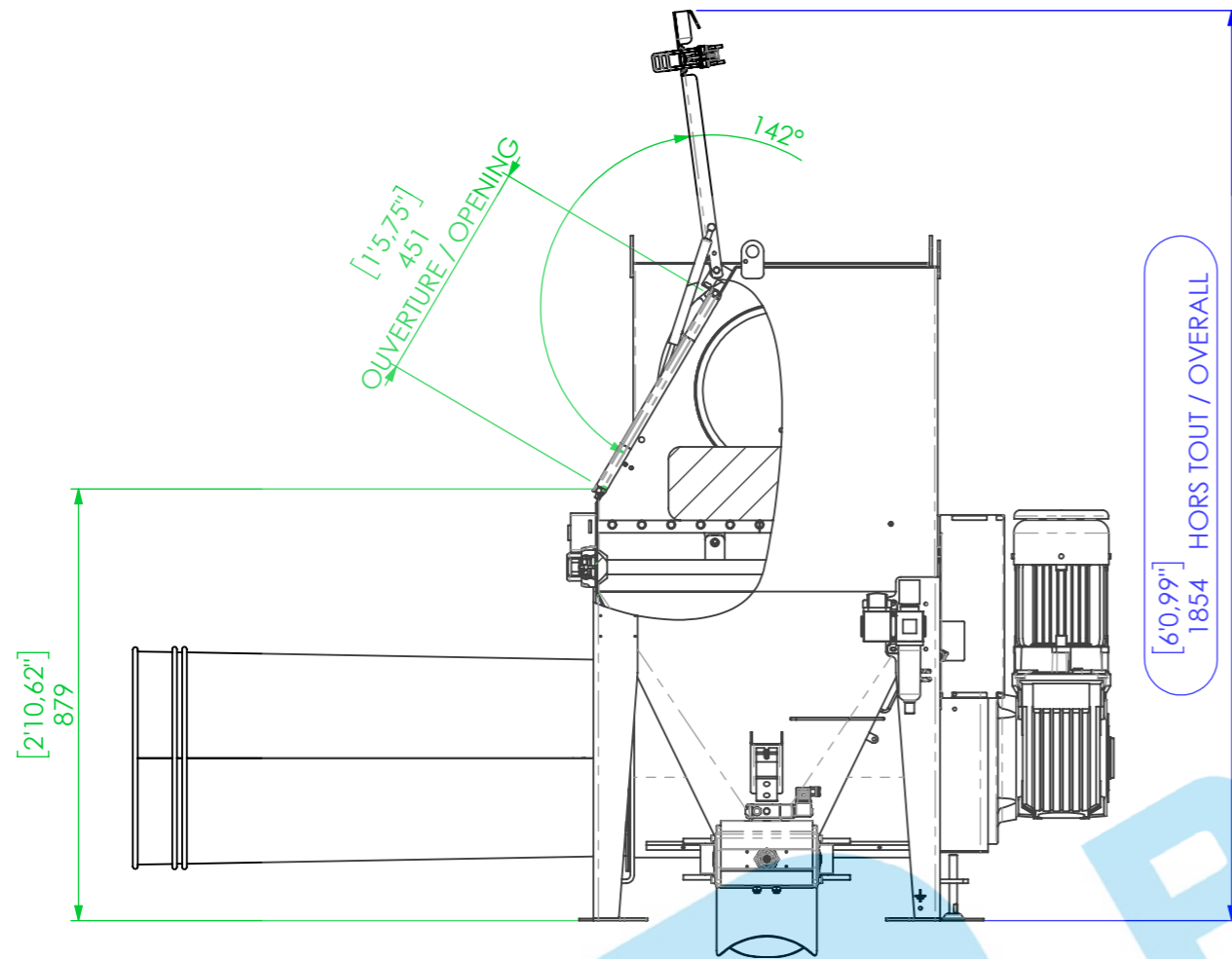
Rue de l'Ecotais 02 90 56 20 61
Z.A. de la Croix Rouge
35530 BRECE
CYRIL.PICHARD@PALAMATIC.FR



Designation / Name :	VIDE SAC SIMPLE	Dessiné par / Drawn by :	PICHARD
Description :	SACKTIP ERGOTIP	Ref. Dossier / Project reference :	

25-03-19	A	DIFFUSION	CYP	Format / Echelle / Scale :	A3 1:15	N° Plan / Drawing number :	REV: A 2 3
DATE	REV	OBSERVATION	REVISUR / REVISER				

SACKTIP OUVERTE / OPEN



DIMENSION : [inch] / mm PLAN D'INFORMATION / INFORMATION DRAWING

PALAMATIC N'AYANT PAS EN CHARGE LE GENIE CIVIL, IL EST DE VOTRE RESPONSABILITE DE VOUS ASSURER DE LA RESISTANCE, DE LA STABILITE ET DE LA PLANEITE DE VOS SUPPORT OU SOLS RECEVANTS NOS EQUIPEMENTS, AUX DIFFERENTS EFFORTS ET CONTRAINTES AUQUELS ILS POURAIENT ETRE SOUMIS.

CIVIL ENGINEERING WORKS ARE NOT INCLUDED IN PALAMATIC'S SCOPE OF SUPPLY. IT IS THE CLIENT'S RESPONSIBILITY TO ENSURE THE STABILITY, RESISTANCE AND FLATNESS OF THE STRUCTURES AND TERRAIN ON WHICH, PALAMATIC'S EQUIPMENT WILL BE MOUNTED. THESE STRUCTURES AND TERRAIN MUST BE ABLE TO WITHSTAND THE DIFFERENT LOADS AND CONSTRAINTS BROUGHT ON BY THESE EQUIPMENTS

CE PLAN EST LA PROPRIETE DE LA SOCIETE PALAMATIC - IL NE PEUT ETRE COPIE OU UTILISE SANS AUTORISATION
THIS DRAWING IS THE PROPERTY OF THE COMPANY PALAMATIC - IT CANNOT BE COPIED OR USED WITHOUT AUTHORIZATION

Rue de l'Ecotais 02 90 56 20 61
Z.A. de la Croix Rouge
35530 BRECE
CYRIL.PICHARD@PALAMATIC.FR



Designation / Name : VIDE SAC SIMPLE		Dessiné par / Drawn by : PICHARD	
Description: SACKTIP ERGOTIP		Ref. Dossier / Project reference:	
25-03-19	A	DIFFUSION	CYP
DATE	REV	OBSERVATION	REVISER / REVISER
Format / Echelle / Scale: A3 1:15		N° Plan / Drawing number: REV: A 3/3	