

Table de nomenclature			
REP.	DESIGNATION (FR)	DESIGNATION (ENGLISH)	QTE
1	CORPS VIDE SAC	SACKTIP BODY	1
2	SAUTERELLE A CROCHET	CLAMP LEVER	2
3	CONVOYEUR A ROULEAU	ROLLER CONVEYOR	1
4	FILTRE REGULATEUR PNEUMATIQUE	PNEUMATIC REGULATOR FILTER	1
5	SONDE DE NIVEAU	LEVEL PROBE	1
6	COMPACTEUR DE SAC	SACK COMPACTOR	1
7	PORTE VITREE	GLASS DOOR	1
8	GANT DE PROTECTION	PROTECTIVE GLOVE	2
9	TRAPPE D'ACCES SAC	SACK ACCESS TRAP	1
10	VIBREUR PNEUMATIQUE	PNEUMATIC VIBRATOR	2
11	VANNE DE VIDANGE PRODUIT	OUTLET PRODUCT VALVE	1

DIMENSION : [inch] / mm

PLAN D'INFORMATION / INFORMATION DRAWING

PALAMATIC N'AYANT PAS EN CHARGE LE GENIE CIVIL, IL EST DE VOTRE RESPONSABILITE DE VOUS ASSURER DE LA RESISTANCE, DE LA STABILITE ET DE LA PLANEITE DE VOS SUPPORT OU SOLS RECEVANTS NOS EQUIPEMENTS, AUX DIFFERENTS EFFORTS ET CONTRAINTES AUQUELS ILS POURAIENT ETRE SOUMIS.

CIVIL ENGINEERING WORKS ARE NOT INCLUDED IN PALAMATIC'S SCOPE OF SUPPLY. IT IS THE CLIENT'S RESPONSIBILITY TO ENSURE THE STABILITY, RESISTANCE AND FLATNESS OF THE STRUCTURES AND TERRAIN ON WHICH, PALAMATIC'S EQUIPMENT WILL BE MOUNTED. THESE STRUCTURES AND TERRAIN MUST BE ABLE TO WITHSTAND THE DIFFERENT LOADS AND CONSTRAINTS BROUGHT ON BY THESE EQUIPMENTS.

CE PLAN EST LA PROPRIETE DE LA SOCIETE PALAMATIC - IL NE PEUT ETRE COPIE OU UTILISE SANS AUTORISATION

THIS DRAWING IS THE PROPERTY OF THE COMPANY PALAMATIC - IT CANNOT BE COPIED OR USED WITHOUT AUTHORIZATION

Rue de l'Écolais 02 90 56 20 61
Z.A. de la Croix Rouge 35530 BRECE
CYRIL.PICHARD@PALAMATIC.FR

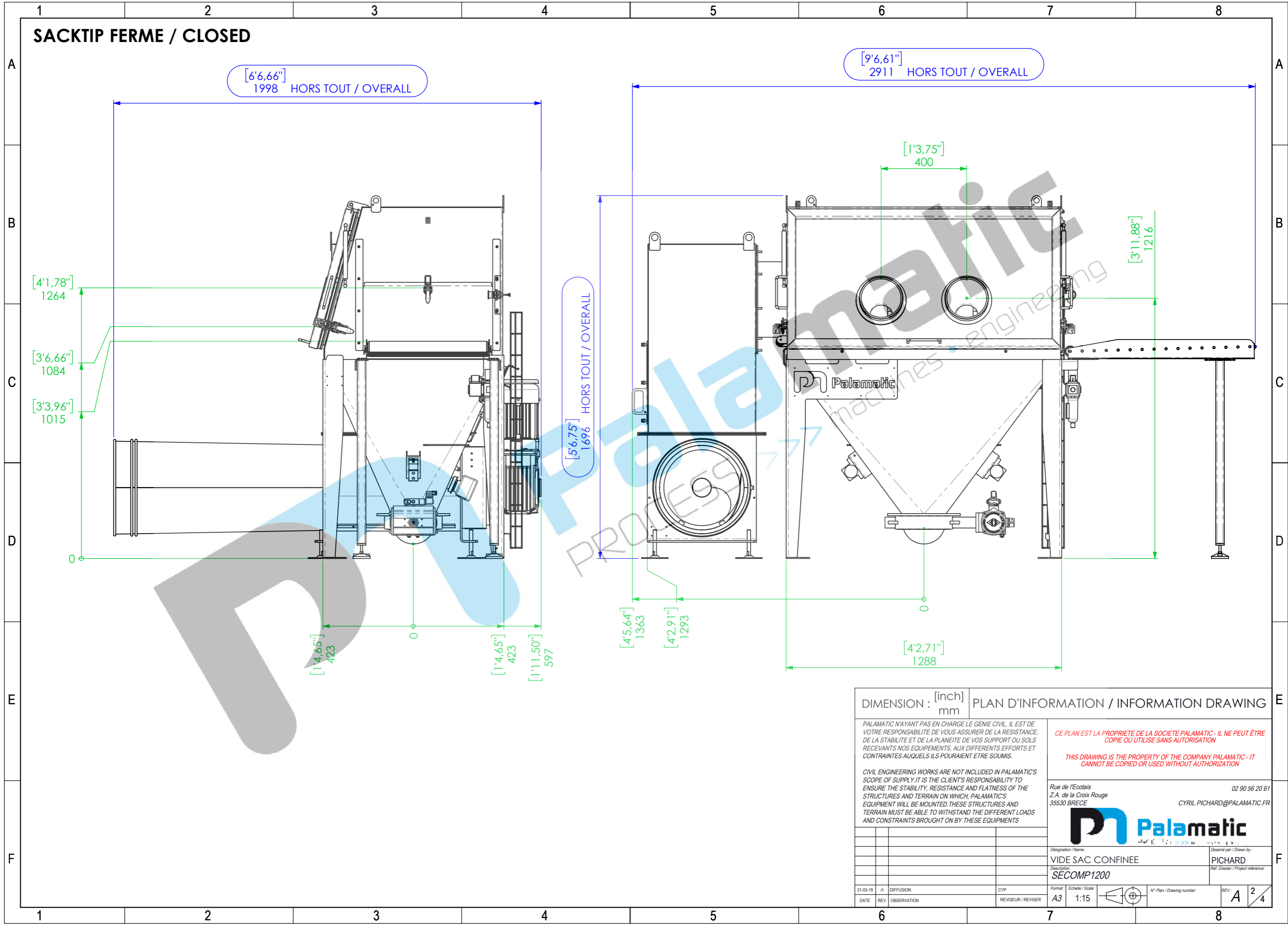
Palamatic

Designation / Name : **VIDE SAC CONFINEE**
Description : **SECOMP1200**
Dessiné par / Drawn by : **PICHARD**
Ref. Dossier / Project reference :

21-03-19 A DIFFUSION CYP
DATE REV OBSERVATION REVISER / REVISER

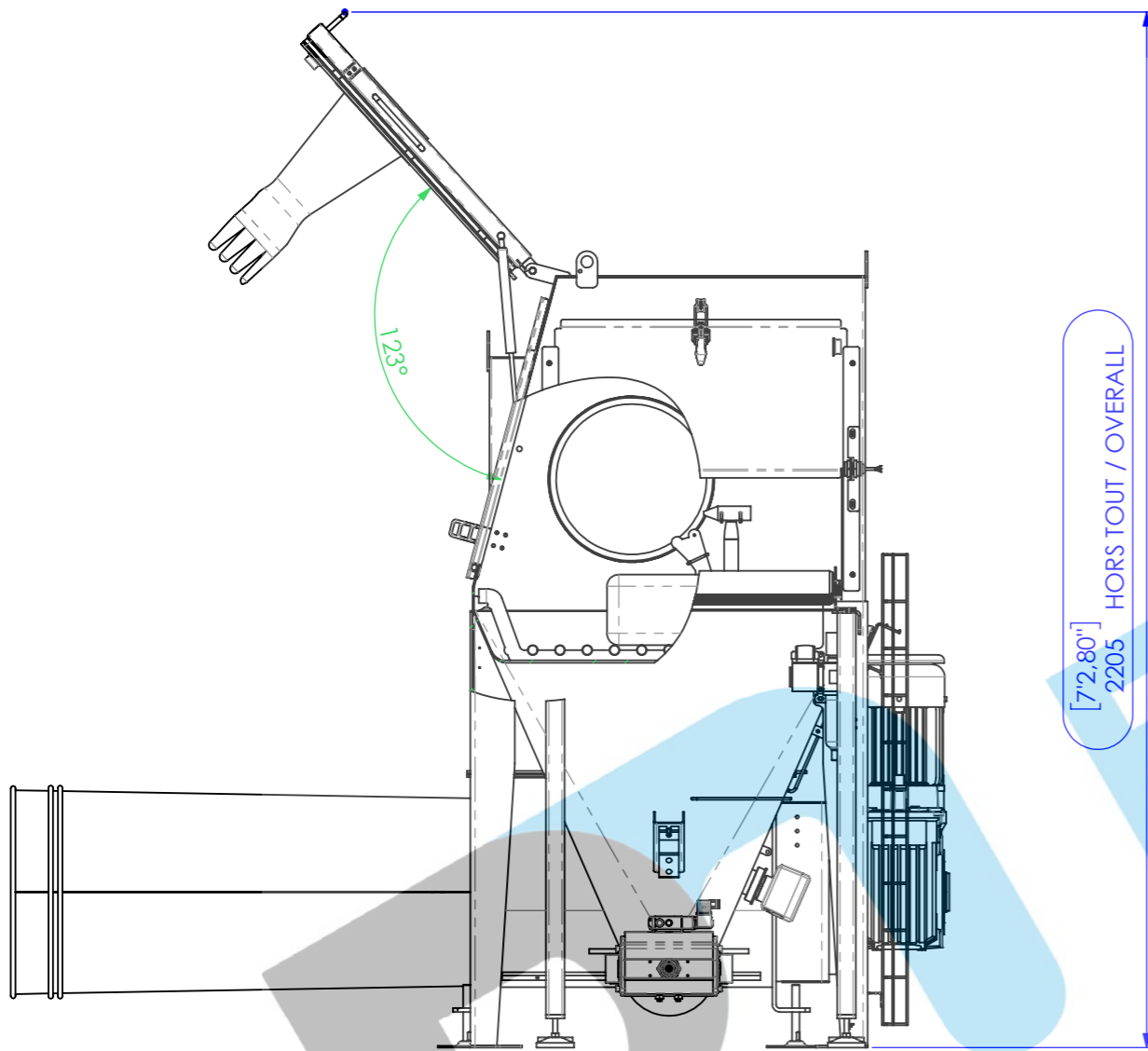
Format / Echelle / Scale : **A3 1:15**
N° Plan / Drawing number : **A 1/4**

SACKTIP FERME / CLOSED



DIMENSION : [inch] mm		PLAN D'INFORMATION / INFORMATION DRAWING	
<p>PALAMATIC N'AYANT PAS EN CHARGE LE GENIE CIVIL, IL EST DE VOTRE RESPONSABILITE DE VOUS ASSURER DE LA RESISTANCE, DE LA STABILITE ET DE LA PLANEITE DE VOS SUPPORT OU SOLS RECEVANTS NOS EQUIPEMENTS, AUX DIFFERENTS EFFORTS ET CONTRAINTES AUQUELS ILS POURAIENT ETRE SOUMIS.</p> <p>CIVIL ENGINEERING WORKS ARE NOT INCLUDED IN PALAMATIC'S SCOPE OF SUPPLY. IT IS THE CLIENT'S RESPONSABILITY TO ENSURE THE STABILITY, RESISTANCE AND FLATNESS OF THE STRUCTURES AND TERRAIN ON WHICH, PALAMATIC'S EQUIPMENT WILL BE MOUNTED. THESE STRUCTURES AND TERRAIN MUST BE ABLE TO WITHSTAND THE DIFFERENT LOADS AND CONSTRAINTS BROUGHT ON BY THESE EQUIPMENTS</p>		<p>CE PLAN EST LA PROPRIETE DE LA SOCIETE PALAMATIC - IL NE PEUT ETRE COPIE OU UTILISE SANS AUTORISATION</p> <p>THIS DRAWING IS THE PROPERTY OF THE COMPANY PALAMATIC - IT CANNOT BE COPIED OR USED WITHOUT AUTHORIZATION</p>	
<p>Rue de l'Ecotais Z.A. de la Croix Rouge 35530 BRECE</p>		<p>02 90 56 20 61 CYRIL.PICHARD@PALAMATIC.FR</p>	
<p>Designation / Name : VIDE SAC CONFINEE</p>		<p>Dessiné par / Drawn by : PICHARD</p>	
<p>Format : A3</p>		<p>Echelle / Scale : 1:15</p>	
<p>DATE : 21-03-19</p>		<p>N° Plan / Drawing number : A 2 / 4</p>	
<p>REV : A</p>		<p>REVISIONS / REVISEUR / REVISER : CYP</p>	

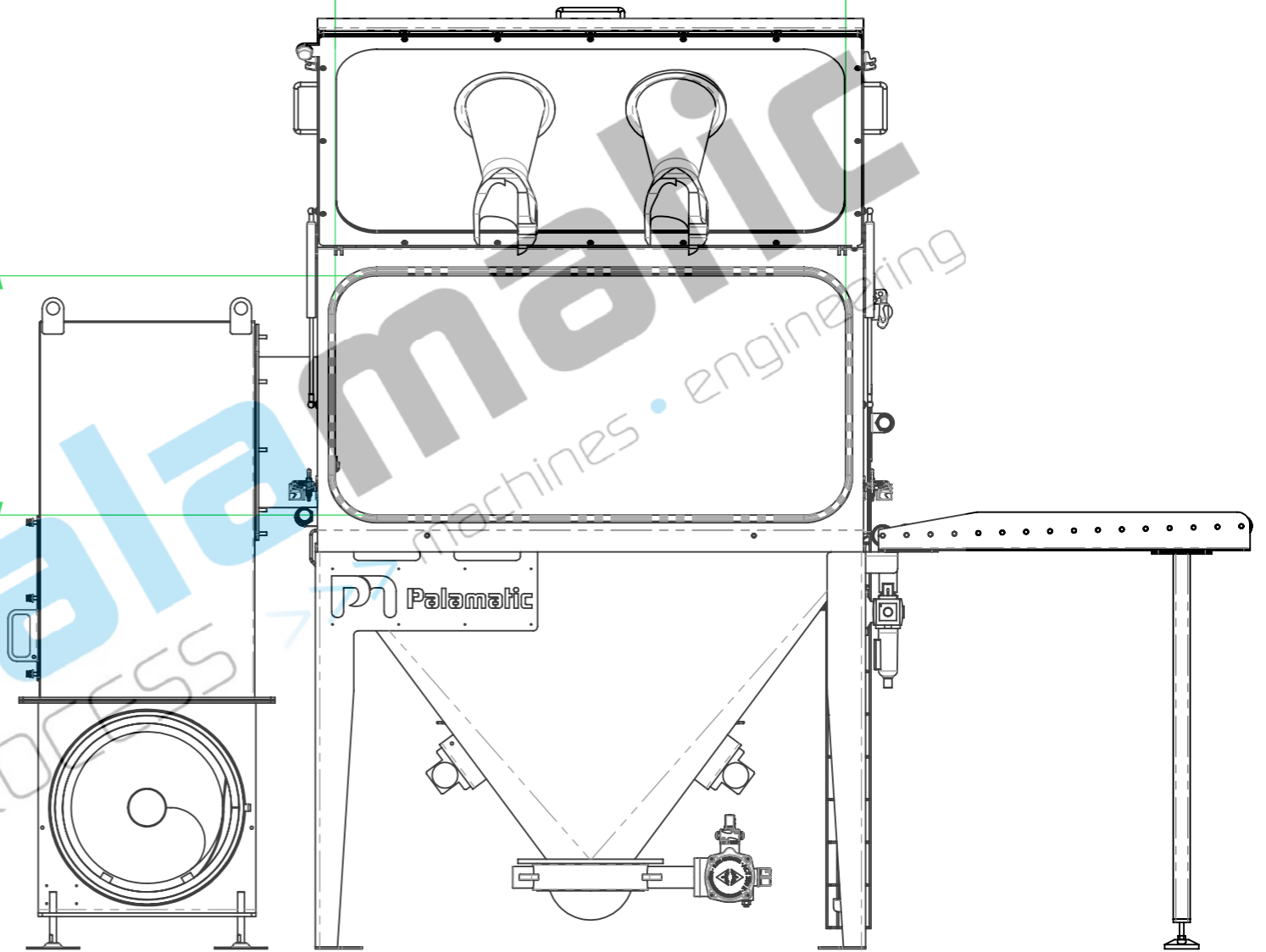
SACKTIP OUVERTE / OPEN



[7'2,80"]
2205
HORS TOUT / OVERALL

[3'11,05"]
1195
OUVERTURE / OPENING

[1'10,06"]
560
OUVERTURE / OPENING



DIMENSION : [inch] / mm PLAN D'INFORMATION / INFORMATION DRAWING

PALAMATIC N'AYANT PAS EN CHARGE LE GENIE CIVIL, IL EST DE VOTRE RESPONSABILITE DE VOUS ASSURER DE LA RESISTANCE, DE LA STABILITE ET DE LA PLANEITE DE VOS SUPPORT OU SOLS RECEVANTS NOS EQUIPEMENTS, AUX DIFFERENTS EFFORTS ET CONTRAINTES AUQUELS ILS POURAIENT ETRE SOUMIS.

CIVIL ENGINEERING WORKS ARE NOT INCLUDED IN PALAMATIC'S SCOPE OF SUPPLY. IT IS THE CLIENT'S RESPONSIBILITY TO ENSURE THE STABILITY, RESISTANCE AND FLATNESS OF THE STRUCTURES AND TERRAIN ON WHICH, PALAMATIC'S EQUIPMENT WILL BE MOUNTED. THESE STRUCTURES AND TERRAIN MUST BE ABLE TO WITHSTAND THE DIFFERENT LOADS AND CONSTRAINTS BROUGHT ON BY THESE EQUIPMENTS

CE PLAN EST LA PROPRIETE DE LA SOCIETE PALAMATIC - IL NE PEUT ETRE COPIE OU UTILISE SANS AUTORISATION

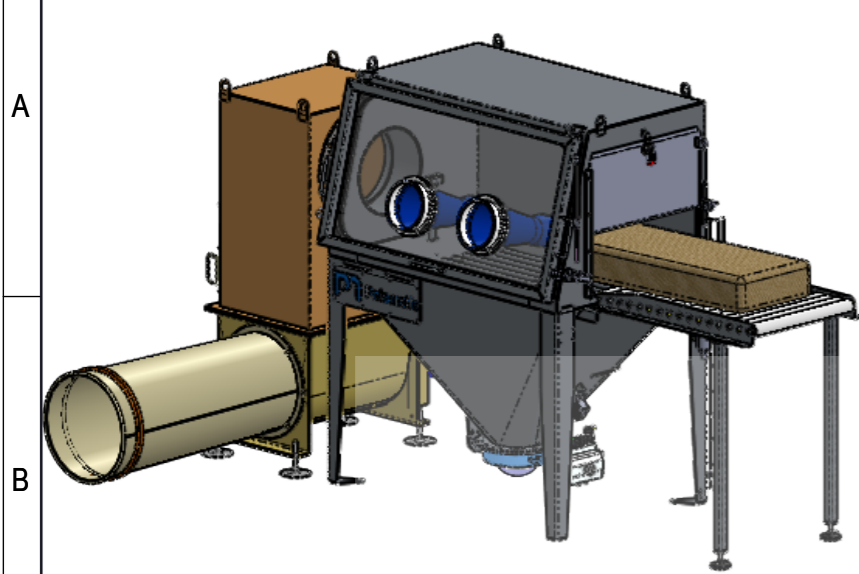
THIS DRAWING IS THE PROPERTY OF THE COMPANY PALAMATIC - IT CANNOT BE COPIED OR USED WITHOUT AUTHORIZATION

Rue de l'Écolais 02 90 56 20 61
Z.A. de la Croix Rouge
35530 BRECE
CYRIL.PICHARD@PALAMATIC.FR



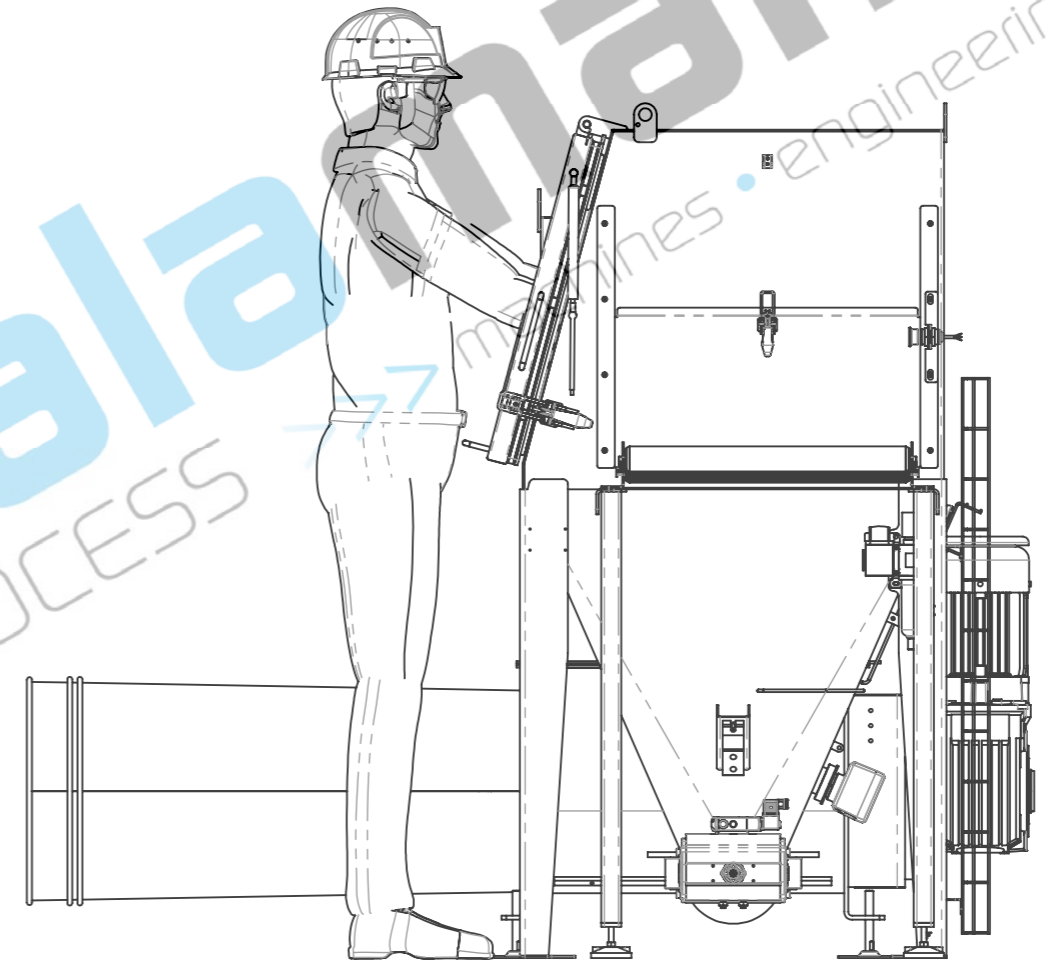
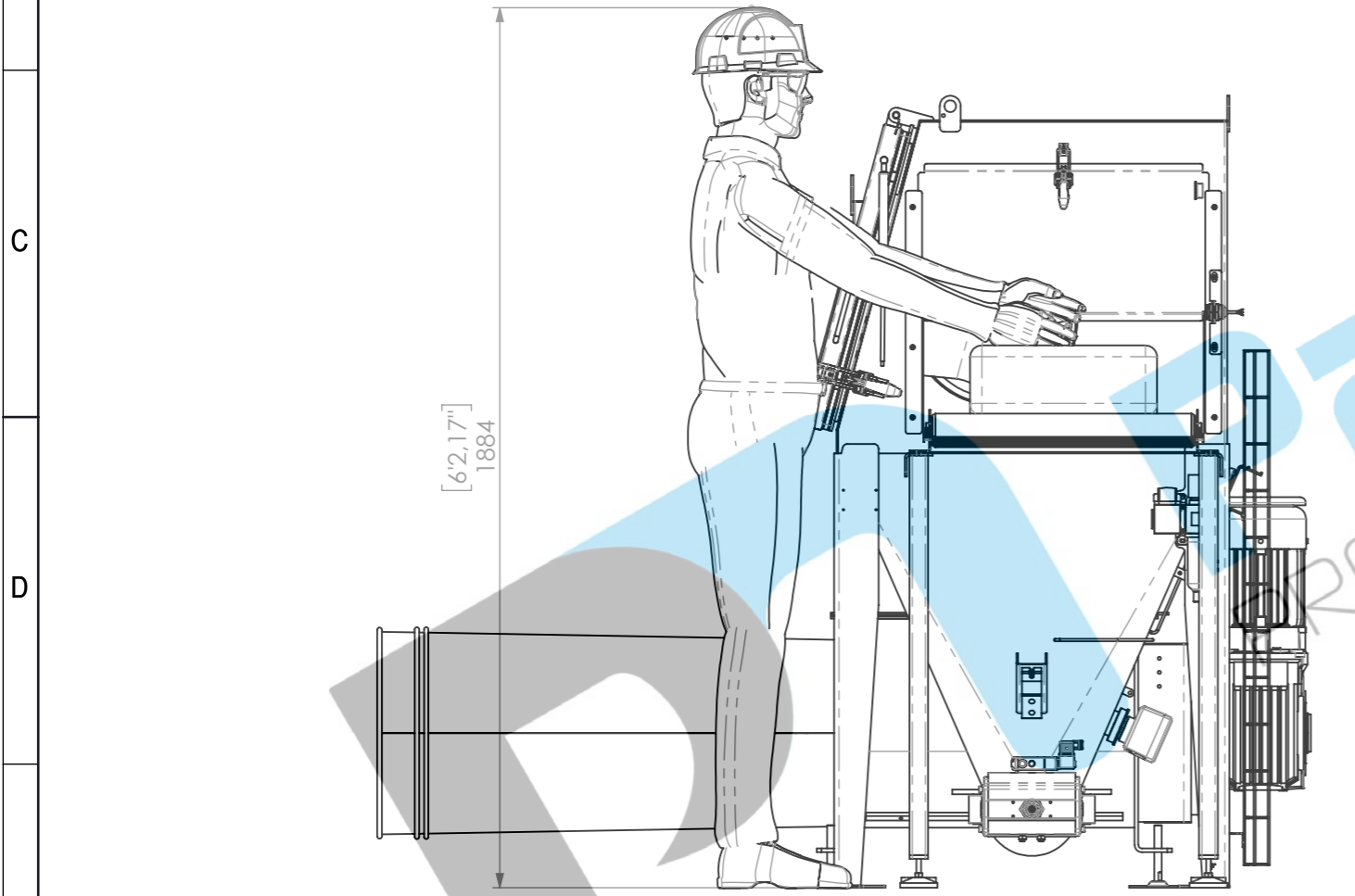
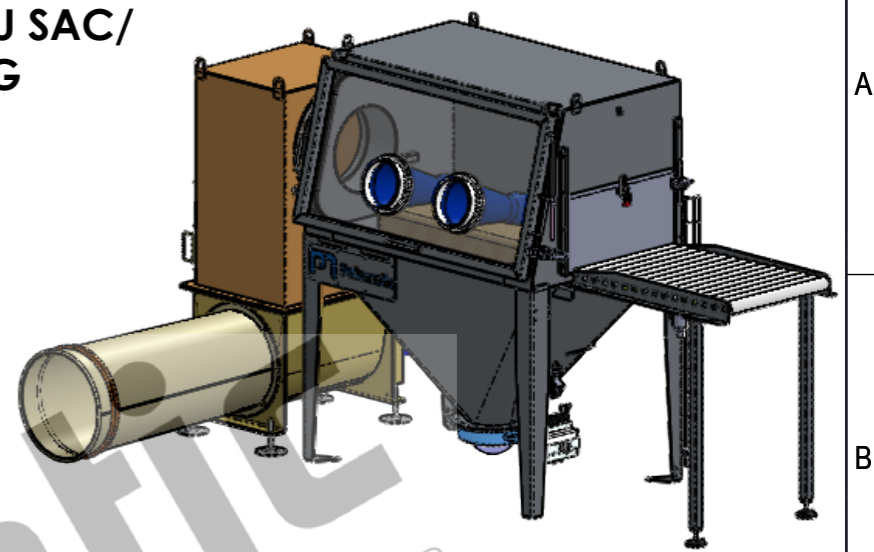
Designation / Name :		Dessiné par / Drawn by :	
VIDE SAC CONFINEE		PICHARD	
Description :		Ref. Dossier / Project reference :	
SECOMP1200			
21-03-19	A	DIFFUSION	CYP
DATE	REV	OBSERVATION	REVISUR / REVISOR
Format / Echelle / Scale :		N° Plan / Drawing number :	
A3 1:15		A 3/4	

1 2 3 4 5 6 7 8



CHARGEMENT SAC / SACK LOADING

DECOUPE ET DECHARGEMENT DU SAC / SACK CUTTING AND UNLOADING



E

DIMENSION : [inch] / mm PLAN D'INFORMATION / INFORMATION DRAWING

PALAMATIC N'AYANT PAS EN CHARGE LE GENIE CIVIL, IL EST DE VOTRE RESPONSABILITE DE VOUS ASSURER DE LA RESISTANCE, DE LA STABILITE ET DE LA PLANEITE DE VOS SUPPORT OU SOLS RECEVANTS NOS EQUIPEMENTS, AUX DIFFERENTS EFFORTS ET CONTRAINTES AUQUELS ILS POURAIENT ETRE SOUMIS.

CE PLAN EST LA PROPRIETE DE LA SOCIETE PALAMATIC - IL NE PEUT ETRE COPIE OU UTILISE SANS AUTORISATION
THIS DRAWING IS THE PROPERTY OF THE COMPANY PALAMATIC - IT CANNOT BE COPIED OR USED WITHOUT AUTHORIZATION

CIVIL ENGINEERING WORKS ARE NOT INCLUDED IN PALAMATIC'S SCOPE OF SUPPLY. IT IS THE CLIENT'S RESPONSIBILITY TO ENSURE THE STABILITY, RESISTANCE AND FLATNESS OF THE STRUCTURES AND TERRAIN ON WHICH, PALAMATIC'S EQUIPMENT WILL BE MOUNTED. THESE STRUCTURES AND TERRAIN MUST BE ABLE TO WITHSTAND THE DIFFERENT LOADS AND CONSTRAINTS BROUGHT ON BY THESE EQUIPMENTS

Rue de l'Écolais 02 90 56 20 61
Z.A. de la Croix Rouge
35530 BRECE CYRIL.PICHARD@PALAMATIC.FR

[3'5,34"] 1050
LONGUEUR SAC MAXIMUM / MAXIMUM SACK LENGTH



F

Designation / Name : VIDE SAC CONFINEE
Description : SECOMP1200
Dessiné par / Drawn by : PICHARD
Ref. Dossier / Project reference:

21-03-19	A	DIFFUSION	CYP	Format / Echelle / Scale : A3 1:15	N° Plan / Drawing number :	REV: A 4/4
DATE	REV	OBSERVATION	REVISUR / REVISER			

1 2 3 4 5 6 7 8