

Table de nomenclature			
REP.	DESIGNATION (FR)	DESIGNATION (ENGLISH)	QTE
1	CORPS VIDE SAC	SACKTIP BODY	1
2	SAUTERELLE A CROCHET	CLAMP LEVER	2
3	CONVOYEUR A ROULEAU	ROLLER CONVEYOR	1
4	FILTRE REGULATEUR PNEUMATIQUE	PNEUMATIC REGULATOR FILTER	1
5	SONDE DE NIVEAU	LEVEL PROBE	1
6	COMPACTEUR DE SAC	SACK COMPACTOR	1
7	PORTE VITREE	GLASS DOOR	1
8	GANT DE PROTECTION	PROTECTIVE GLOVE	2
9	TRAPPE D'ACCES SAC	SACK ACCESS TRAP	1
10	VIBREUR PNEUMATIQUE	PNEUMATIC VIBRATOR	2
11	VANNE DE VIDANGE PRODUIT	OUTLET PRODUCT VALVE	1

DIMENSION : [inch] / mm

PLAN D'INFORMATION / INFORMATION DRAWING

PALAMATIC N'AYANT PAS EN CHARGE LE GENIE CIVIL, IL EST DE VOTRE RESPONSABILITE DE VOUS ASSURER DE LA RESISTANCE, DE LA STABILITE ET DE LA PLANEITE DE VOS SUPPORT OU SOLS RECEVANTS NOS EQUIPEMENTS, AUX DIFFERENTS EFFORTS ET CONTRAINTES AUQUELS ILS POURAIENT ETRE SOUMIS.

CIVIL ENGINEERING WORKS ARE NOT INCLUDED IN PALAMATIC'S SCOPE OF SUPPLY. IT IS THE CLIENT'S RESPONSIBILITY TO ENSURE THE STABILITY, RESISTANCE AND FLATNESS OF THE STRUCTURES AND TERRAIN ON WHICH, PALAMATIC'S EQUIPMENT WILL BE MOUNTED. THESE STRUCTURES AND TERRAIN MUST BE ABLE TO WITHSTAND THE DIFFERENT LOADS AND CONSTRAINTS BROUGHT ON BY THESE EQUIPMENTS.

CE PLAN EST LA PROPRIETE DE LA SOCIETE PALAMATIC - IL NE PEUT ETRE COPIE OU UTILISE SANS AUTORISATION

THIS DRAWING IS THE PROPERTY OF THE COMPANY PALAMATIC - IT CANNOT BE COPIED OR USED WITHOUT AUTHORIZATION

Rue de l'Écolais 02 90 56 20 61  
Z.A. de la Croix Rouge 35530 BRECE  
CYRIL.PICHARD@PALAMATIC.FR

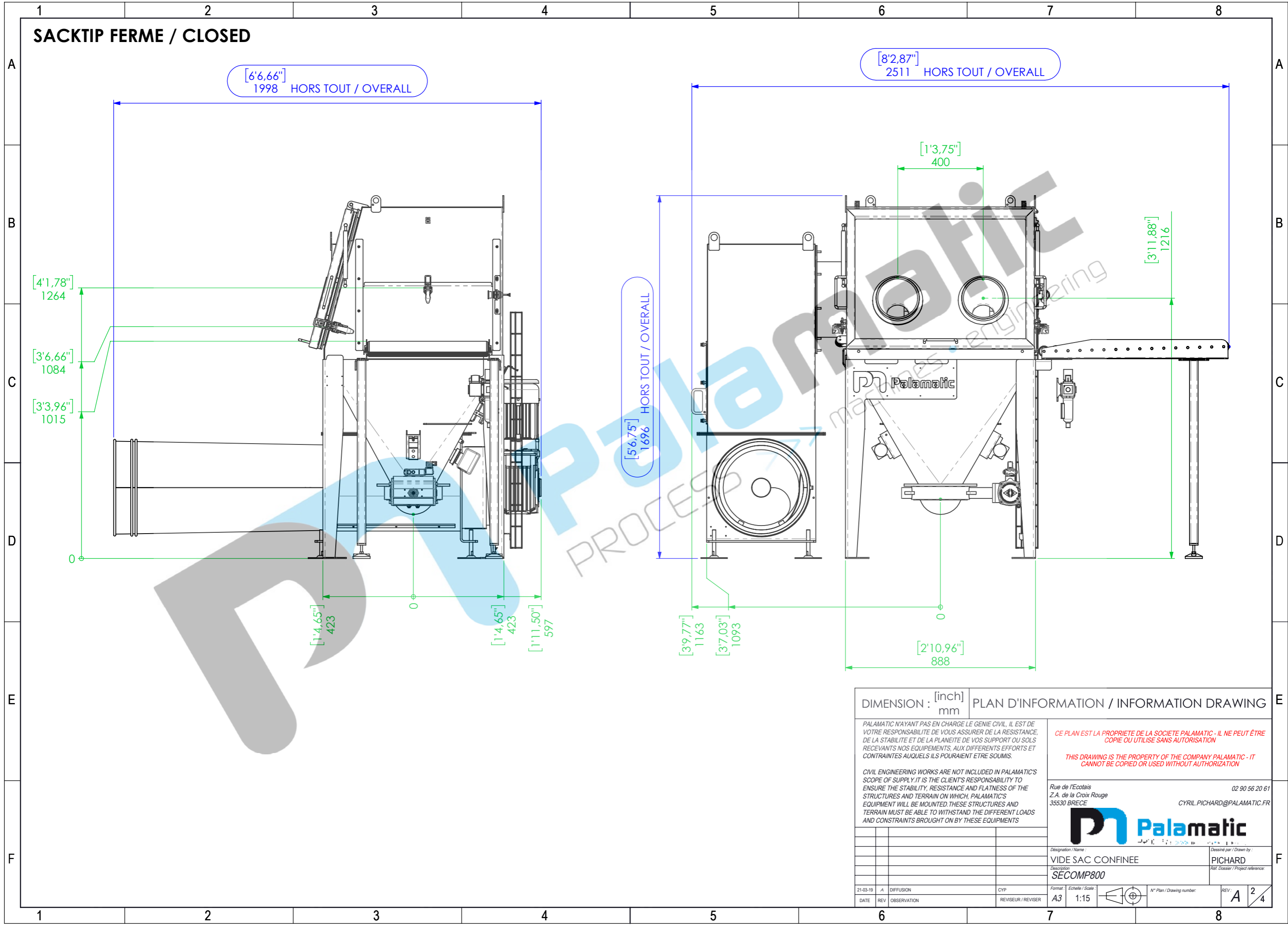
**P** Palamatic

Designation / Name : VIDE SAC CONFINEE  
Description : SECOMP800  
Dessiné par / Drawn by : PICHARD  
Ref. Dossier / Project reference:

21-03-19 A DIFFUSION CYP  
DATE REV OBSERVATION REVISEUR / REVISER A3 1:15

Format / Echelle / Scale : A3 1:15  
N° Plan / Drawing number :  
REV: A 1/4

**SACKTIP FERME / CLOSED**



DIMENSION : [inch] / mm PLAN D'INFORMATION / INFORMATION DRAWING

PALAMATIC N'AYANT PAS EN CHARGE LE GENIE CIVIL, IL EST DE VOTRE RESPONSABILITE DE VOUS ASSURER DE LA RESISTANCE, DE LA STABILITE ET DE LA PLANEITE DE VOS SUPPORT OU SOLS RECEVANTS NOS EQUIPEMENTS, AUX DIFFERENTS EFFORTS ET CONTRAINTES AUQUELS ILS POURAIENT ETRE SOUMIS.

CE PLAN EST LA PROPRIETE DE LA SOCIETE PALAMATIC - IL NE PEUT ETRE COPIE OU UTILISE SANS AUTORISATION  
THIS DRAWING IS THE PROPERTY OF THE COMPANY PALAMATIC - IT CANNOT BE COPIED OR USED WITHOUT AUTHORIZATION

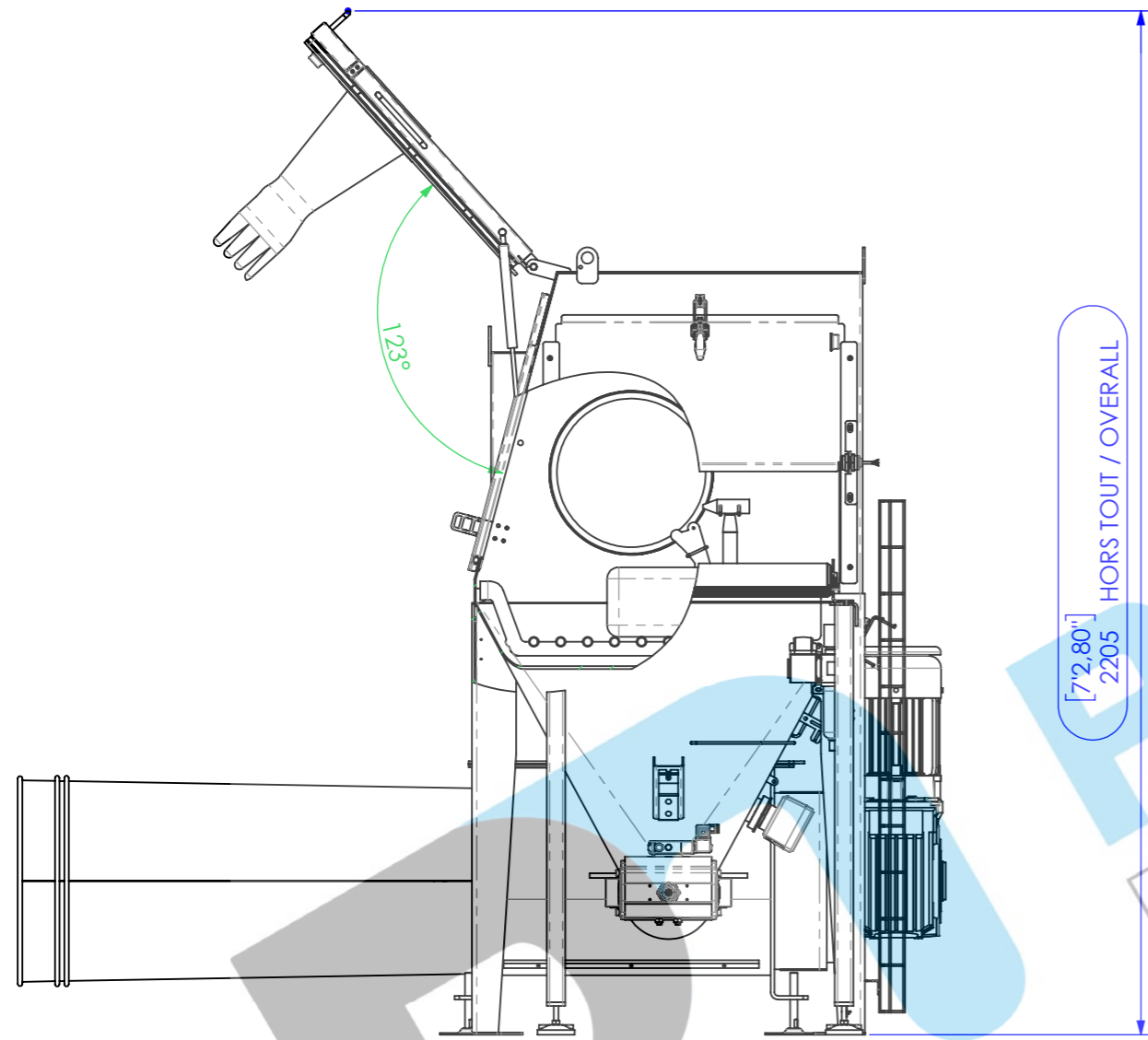
CIVIL ENGINEERING WORKS ARE NOT INCLUDED IN PALAMATIC'S SCOPE OF SUPPLY. IT IS THE CLIENT'S RESPONSIBILITY TO ENSURE THE STABILITY, RESISTANCE AND FLATNESS OF THE STRUCTURES AND TERRAIN ON WHICH, PALAMATIC'S EQUIPMENT WILL BE MOUNTED. THESE STRUCTURES AND TERRAIN MUST BE ABLE TO WITHSTAND THE DIFFERENT LOADS AND CONSTRAINTS BROUGHT ON BY THESE EQUIPMENTS

Rue de l'Ecotais 02 90 56 20 61  
Z.A. de la Croix Rouge  
35530 BRECE  
CYRIL.PICHARD@PALAMATIC.FR

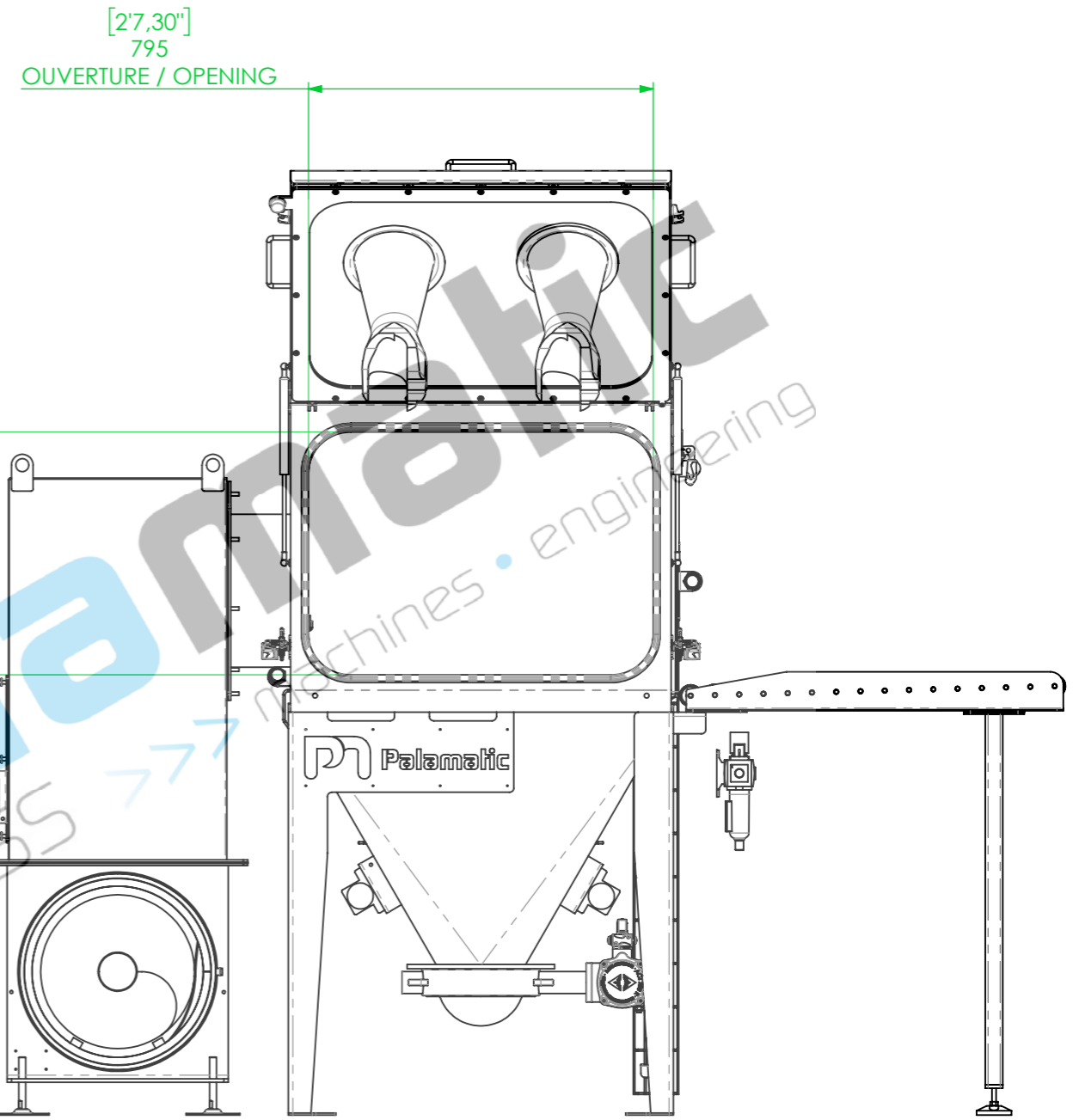


Description / Name :		Dessiné par / Drawn by :	
VIDE SAC CONFINEE		PICHARD	
Description		Ref. Dossier / Project reference:	
SECOMP800			
21-03-19	A	DIFFUSION	CYP
DATE	REV	OBSERVATION	REVISUR / REVISER
Format / Echelle / Scale :		N° Plan / Drawing number :	
A3 1:15		A 2/4	

**SACKTIP OUVERTE / OPEN**



[7'2,80"]  
2205  
HORS TOUT / OVERALL



[27,30"]  
795  
OUVERTURE / OPENING

[1'10,06"]  
560  
OUVERTURE / OPENING

DIMENSION : [inch] mm		PLAN D'INFORMATION / INFORMATION DRAWING	
<p>PALAMATIC N'AYANT PAS EN CHARGE LE GENIE CIVIL, IL EST DE VOTRE RESPONSABILITE DE VOUS ASSURER DE LA RESISTANCE, DE LA STABILITE ET DE LA PLANEITE DE VOS SUPPORT OU SOLS RECEVANTS NOS EQUIPEMENTS, AUX DIFFERENTS EFFORTS ET CONTRAINTES AUQUELS ILS POURAIENT ETRE SOUMIS.</p> <p>CIVIL ENGINEERING WORKS ARE NOT INCLUDED IN PALAMATIC'S SCOPE OF SUPPLY. IT IS THE CLIENT'S RESPONSIBILITY TO ENSURE THE STABILITY, RESISTANCE AND FLATNESS OF THE STRUCTURES AND TERRAIN ON WHICH, PALAMATIC'S EQUIPMENT WILL BE MOUNTED. THESE STRUCTURES AND TERRAIN MUST BE ABLE TO WITHSTAND THE DIFFERENT LOADS AND CONSTRAINTS BROUGHT ON BY THESE EQUIPMENTS</p>		<p><b>CE PLAN EST LA PROPRIETE DE LA SOCIETE PALAMATIC - IL NE PEUT ÊTRE COPIÉ OU UTILISÉ SANS AUTORISATION</b></p> <p><b>THIS DRAWING IS THE PROPERTY OF THE COMPANY PALAMATIC - IT CANNOT BE COPIED OR USED WITHOUT AUTHORIZATION</b></p>	
<p>Rue de l'Écolais Z.A. de la Croix Rouge 35530 BRECE</p>		<p>02 90 56 20 61 CYRIL.PICHARD@PALAMATIC.FR</p>	
<p>Designation / Name : <b>VIDE SAC CONFINEE</b></p> <p>Description : <b>SECOMP800</b></p>		<p>Dessiné par / Drawn by : <b>PICHARD</b></p> <p>Ref. Dossier / Project reference:</p>	
21-03-19	A	DIFFUSION	CYP
DATE	REV	OBSERVATION	REVISUR / REVISOR
Format : A3		Echelle / Scale : 1:15	N° Plan / Drawing number :  3/4

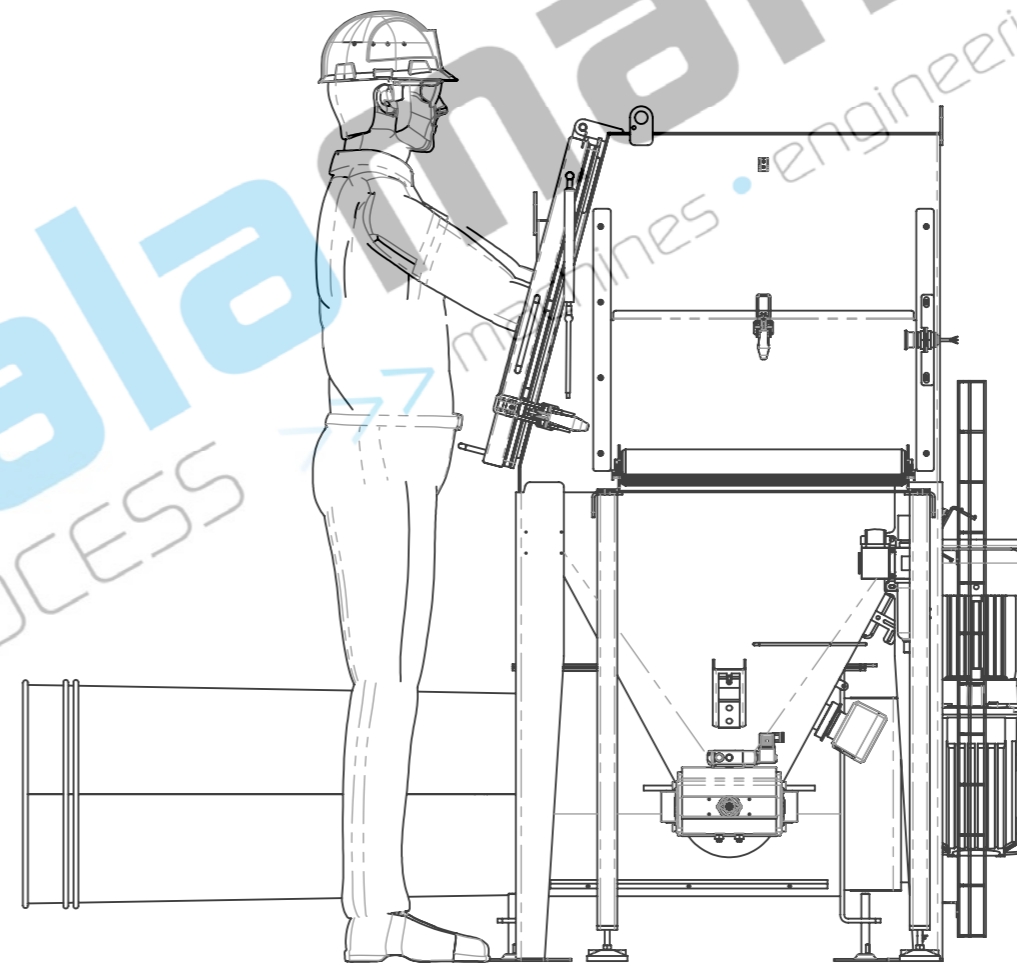
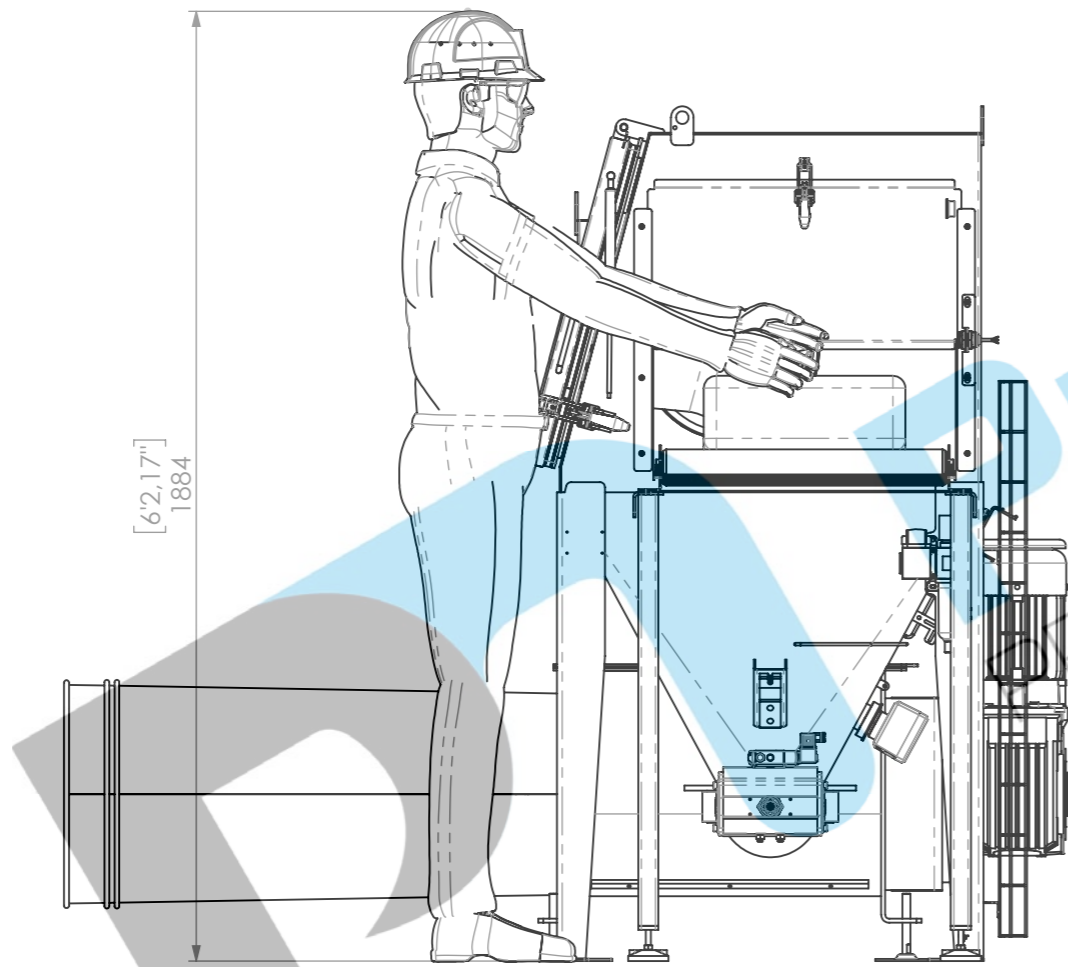
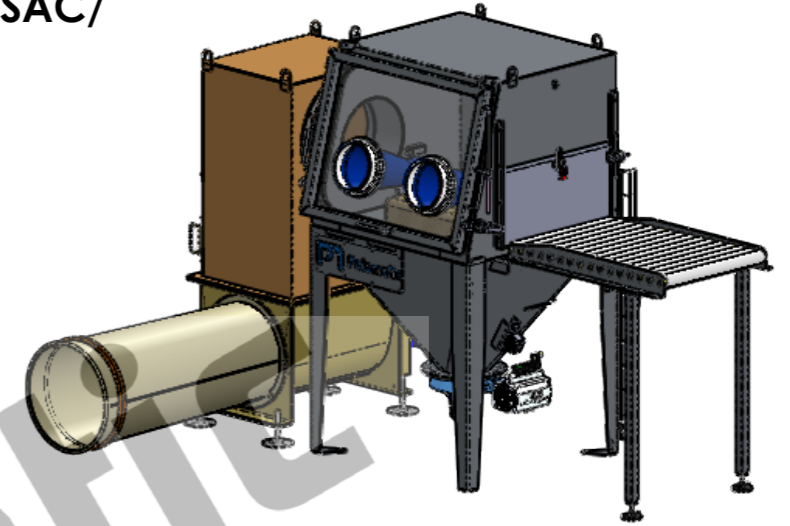
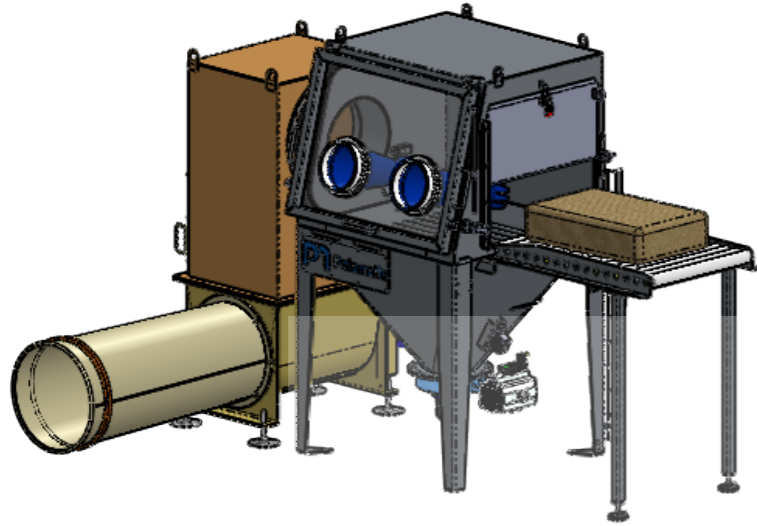
1 2 3 4 5 6 7 8

A  
B  
C  
D  
E  
F

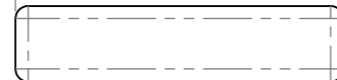
A  
B  
C  
D  
E  
F

**CHARGEMENT SAC / SACK LOADING**

**DECOUPE ET DECHARGEMENT DU SAC / SACK CUTTING AND UNLOADING**



[2'1,59"]  
650  
LONGUEUR SAC MAXIMUM / MAXIMUM SACK LENGTH



DIMENSION : [inch] / mm PLAN D'INFORMATION / INFORMATION DRAWING

PALAMATIC N'AYANT PAS EN CHARGE LE GENIE CIVIL, IL EST DE VOTRE RESPONSABILITE DE VOUS ASSURER DE LA RESISTANCE, DE LA STABILITE ET DE LA PLANEITE DE VOS SUPPORT OU SOLS RECEVANTS NOS EQUIPEMENTS, AUX DIFFERENTS EFFORTS ET CONTRAINTES AUQUELS ILS POURAIENT ETRE SOUMIS.

CIVIL ENGINEERING WORKS ARE NOT INCLUDED IN PALAMATIC'S SCOPE OF SUPPLY. IT IS THE CLIENT'S RESPONSIBILITY TO ENSURE THE STABILITY, RESISTANCE AND FLATNESS OF THE STRUCTURES AND TERRAIN ON WHICH, PALAMATIC'S EQUIPMENT WILL BE MOUNTED. THESE STRUCTURES AND TERRAIN MUST BE ABLE TO WITHSTAND THE DIFFERENT LOADS AND CONSTRAINTS BROUGHT ON BY THESE EQUIPMENTS

CE PLAN EST LA PROPRIETE DE LA SOCIETE PALAMATIC - IL NE PEUT ETRE COPIE OU UTILISE SANS AUTORISATION

THIS DRAWING IS THE PROPERTY OF THE COMPANY PALAMATIC - IT CANNOT BE COPIED OR USED WITHOUT AUTHORIZATION

Rue de l'Écolais 02 90 56 20 61  
Z.A. de la Croix Rouge  
35530 BRECE CYRIL.PICHARD@PALAMATIC.FR



Designation / Name : <b>VIDE SAC CONFINEE</b>		Dessiné par / Drawn by : <b>PICHARD</b>	
Description : <b>SECOMP800</b>		Ref. Dossier / Project reference:	
21-03-19	A	DIFFUSION	CYP
DATE	REV	OBSERVATION	REVISUR / REVISER
Format : A3		Echelle / Scale : 1:15	N° Plan / Drawing number : [Symbol]
		REV: A	4 / 4

1 2 3 4 5 6 7 8