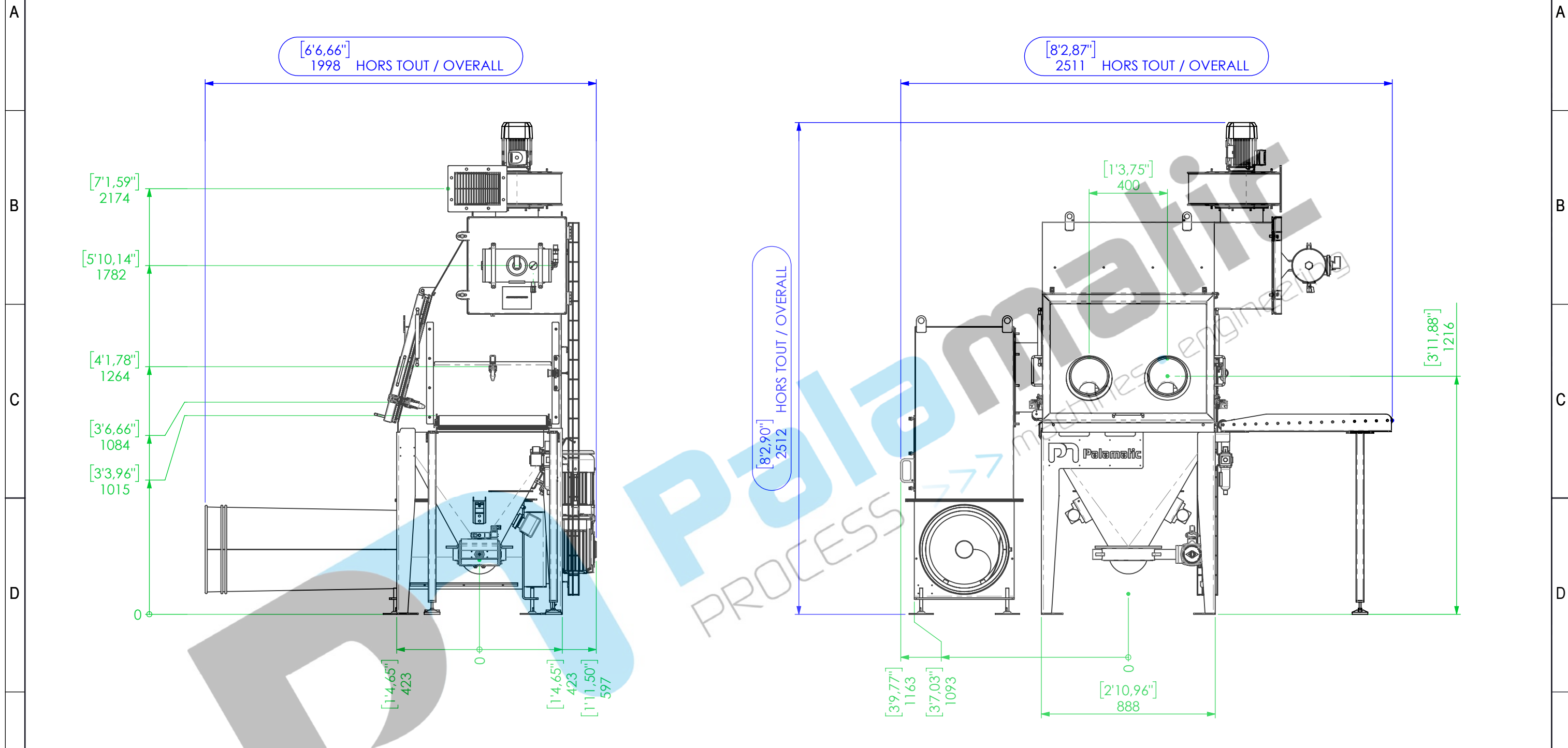


Table de nomenclature			
REP.	DESIGNATION (FR)	DESIGNATION (ENGLISH)	QTE
1	VENTILATEUR DU DEPOUSSIEREUR	DUST EXTRACTOR FAN	1
2	BOMBONNE DE DECLOMATAGE	UNCLOGGINIG DEVICE	1
3	CARTOUCHE FILTRANTE	FILTERING CARTRIDGE	
4	CORPS VIDE SAC	SACKTIP BODY	1
5	SAUTERELLE A CROCHET	CLAMP LEVER	2
6	CONVOYEUR A ROULEAU	ROLLER CONVEYOR	1
7	FILTRE REGULATEUR PNEUMATIQUE	PNEUMATIC REGULATOR FILTER	1
8	SONDE DE NIVEAU	LEVEL PROBE	1
9	COMPACTEUR DE SAC	SACK COMPACTOR	1
10	PORTE VITREE	GLASS DOOR	1
11	GANT DE PROTECTION	PROTECTIVE GLOVE	2
12	TRAPPE D'ACCES SAC	SACK ACCESS TRAP	1
13	VIBREUR PNEUMATIQUE	PNEUMATIC VIBRATOR	2
14	VANNE DE VIDANGE PRODUIT	OUTLET PRODUCT VALVE	1

DIMENSION : [inch] mm		PLAN D'INFORMATION / INFORMATION DRAWING	
<p>PALAMATIC N'AYANT PAS EN CHARGE LE GENIE CIVIL, IL EST DE VOTRE RESPONSABILITE DE VOUS ASSURER DE LA RESISTANCE, DE LA STABILITE ET DE LA PLANEITE DE VOS SUPPORT OU SOLS RECEVANTS NOS EQUIPEMENTS, AUX DIFFERENTS EFFORTS ET CONTRAINTES AUQUELS ILS POURAIENT ETRE SOUMIS.</p> <p>CIVIL ENGINEERING WORKS ARE NOT INCLUDED IN PALAMATIC'S SCOPE OF SUPPLY. IT IS THE CLIENT'S RESPONSIBILITY TO ENSURE THE STABILITY, RESISTANCE AND FLATNESS OF THE STRUCTURES AND TERRAIN ON WHICH, PALAMATIC'S EQUIPMENT WILL BE MOUNTED. THESE STRUCTURES AND TERRAIN MUST BE ABLE TO WITHSTAND THE DIFFERENT LOADS AND CONSTRAINTS BROUGHT ON BY THESE EQUIPMENTS</p>		<p>CE PLAN EST LA PROPRIETE DE LA SOCIETE PALAMATIC - IL NE PEUT ÊTRE COPIE OU UTILISE SANS AUTORISATION</p> <p>THIS DRAWING IS THE PROPERTY OF THE COMPANY PALAMATIC - IT CANNOT BE COPIED OR USED WITHOUT AUTHORIZATION</p>	
<p>Rue de l'Écolais Z.A. de la Croix Rouge 35530 BRECE</p>		<p>02 90 56 20 61 CYRIL.PICHARD@PALAMATIC.FR</p>	
		<p>Designé par / Drawn by : PICHARD</p> <p>Description : SACKTIP SECOMPDEP 800</p> <p>Ref. Dossier / Project reference:</p>	
22-03-19	A	DIFFUSION	CYP
DATE	REV	OBSERVATION	REVISER / REVISER
Format : A3		Echelle / Scale : 1:20	N° Plan / Drawing number : A 1/4

SACKTIP FERME / CLOSED



DIMENSION : [inch] mm		PLAN D'INFORMATION / INFORMATION DRAWING	
<p>PALAMATIC N'AYANT PAS EN CHARGE LE GENIE CIVIL, IL EST DE VOTRE RESPONSABILITE DE VOUS ASSURER DE LA RESISTANCE, DE LA STABILITE ET DE LA PLANEITE DE VOS SUPPORT OU SOLS RECEVANTS NOS EQUIPEMENTS, AUX DIFFERENTS EFFORTS ET CONTRAINTES AUQUELS ILS POURAIENT ETRE SOUMIS.</p> <p>CIVIL ENGINEERING WORKS ARE NOT INCLUDED IN PALAMATIC'S SCOPE OF SUPPLY. IT IS THE CLIENT'S RESPONSIBILITY TO ENSURE THE STABILITY, RESISTANCE AND FLATNESS OF THE STRUCTURES AND TERRAIN ON WHICH, PALAMATIC'S EQUIPMENT WILL BE MOUNTED. THESE STRUCTURES AND TERRAIN MUST BE ABLE TO WITHSTAND THE DIFFERENT LOADS AND CONSTRAINTS BROUGHT ON BY THESE EQUIPMENTS</p>		<p>CE PLAN EST LA PROPRIETE DE LA SOCIETE PALAMATIC - IL NE PEUT ETRE COPIE OU UTILISE SANS AUTORISATION</p> <p>THIS DRAWING IS THE PROPERTY OF THE COMPANY PALAMATIC - IT CANNOT BE COPIED OR USED WITHOUT AUTHORIZATION</p>	
<p>Rue de l'Écolais Z.A. de la Croix Rouge 35530 BRECE</p>		<p>02 90 56 20 61 CYRIL.PICHARD@PALAMATIC.FR</p>	
<p>Designation / Name : VIDE SAC CONFINEE</p>		<p>Dessiné par / Drawn by : PICHARD</p>	
<p>Description : SACKTIP SECOMPDEP 800</p>		<p>Ref. Dossier / Project reference:</p>	
22-03-19	A	DIFFUSION	CYP
DATE	REV	OBSERVATION	REVISER / REVISER
Format : A3		Echelle / Scale : 1:20	
N° Plan / Drawing number:		REV: A 2/4	

SACKTIP OUVERTE / OPEN

[7'2,80"]
2205

[6'5,63"]
1972

123°

[27,30"]
795
OUVERTURE / OPENING

[1'10,06"]
560
OUVERTURE / OPENING

DIMENSION : [inch] / mm PLAN D'INFORMATION / INFORMATION DRAWING

PALAMATIC N'AYANT PAS EN CHARGE LE GENIE CIVIL, IL EST DE VOTRE RESPONSABILITE DE VOUS ASSURER DE LA RESISTANCE, DE LA STABILITE ET DE LA PLANEITE DE VOS SUPPORT OU SOLS RECEVANTS NOS EQUIPEMENTS, AUX DIFFERENTS EFFORTS ET CONTRAINTES AUQUELS ILS POURAIENT ETRE SOUMIS.

CIVIL ENGINEERING WORKS ARE NOT INCLUDED IN PALAMATIC'S SCOPE OF SUPPLY. IT IS THE CLIENT'S RESPONSIBILITY TO ENSURE THE STABILITY, RESISTANCE AND FLATNESS OF THE STRUCTURES AND TERRAIN ON WHICH, PALAMATIC'S EQUIPMENT WILL BE MOUNTED. THESE STRUCTURES AND TERRAIN MUST BE ABLE TO WITHSTAND THE DIFFERENT LOADS AND CONSTRAINTS BROUGHT ON BY THESE EQUIPMENTS

CE PLAN EST LA PROPRIETE DE LA SOCIETE PALAMATIC - IL NE PEUT ÊTRE COPIÉ OU UTILISÉ SANS AUTORISATION
THIS DRAWING IS THE PROPERTY OF THE COMPANY PALAMATIC - IT CANNOT BE COPIED OR USED WITHOUT AUTHORIZATION

Rue de l'Écolais 02 90 56 20 61
Z.A. de la Croix Rouge
35530 BRECE
CYRIL.PICHARD@PALAMATIC.FR



Designation / Name : VIDE SAC CONFINEE		Dessiné par / Drawn by : PICHARD	
Description: SACKTIP SECOMPDEP 800		Ref. Dossier / Project reference:	
22-03-19	A	DIFFUSION	CYP
DATE	REV	OBSERVATION	REVISER / REVISER
Format / Echelle / Scale: A3 1:15		N° Plan / Drawing number: A 3 / 4	

1 2 3 4 5 6 7 8

A

B

C

D

E

F

A

B

C

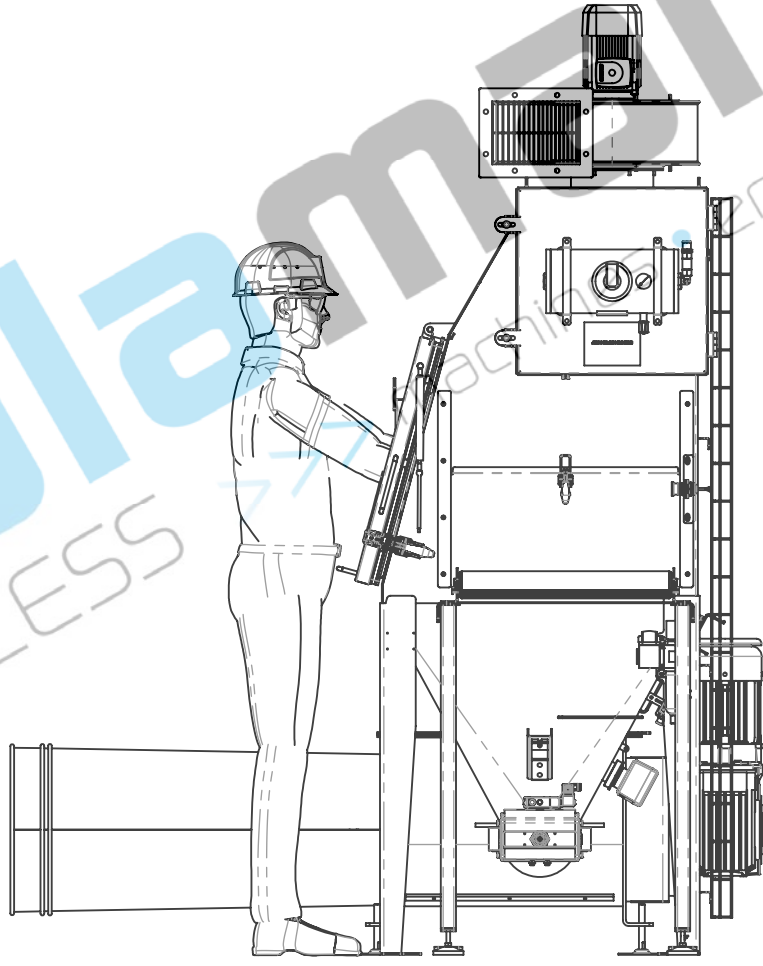
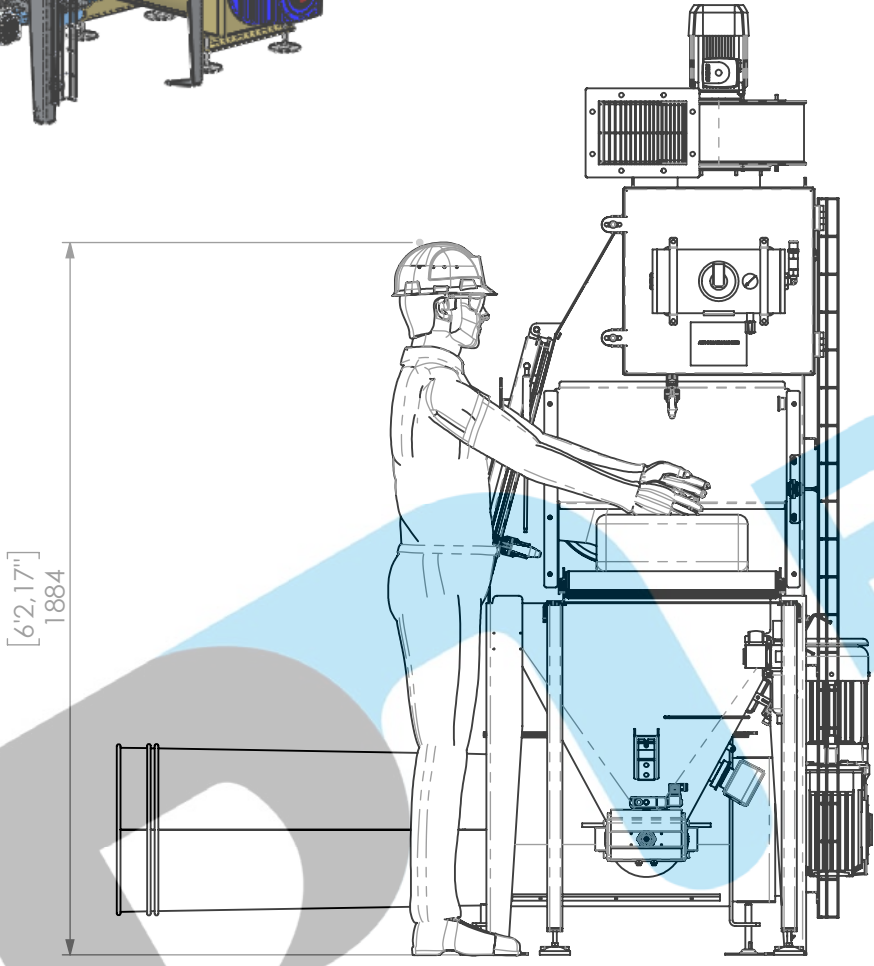
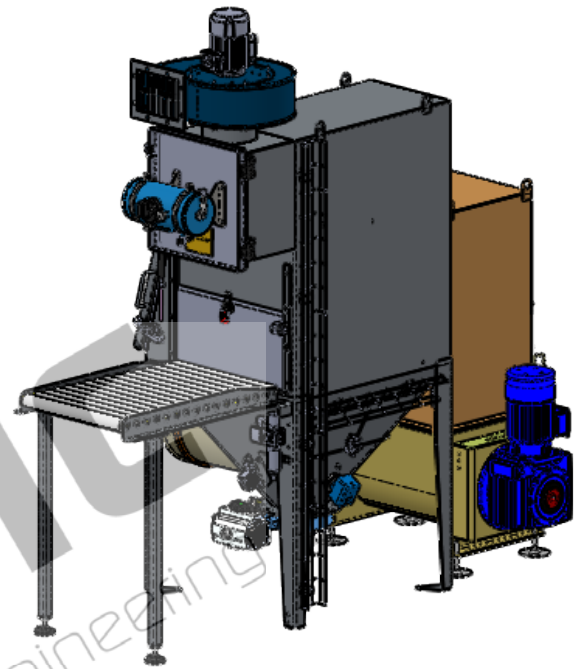
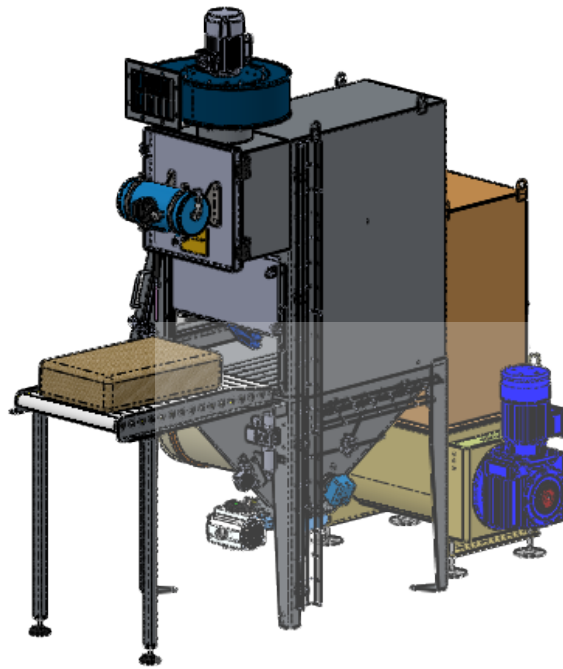
D

E

F

CHARGEMENT SAC / SACK LOADING

DECOUPE ET DECHARGEMENT DU SAC / SACK CUTTING AND UNLOADING



[2'1,59"]
650
LONGUEUR SAC MAXIMUM / MAXIMUM SACK LENGTH



DIMENSION : [inch] / mm PLAN D'INFORMATION / INFORMATION DRAWING

PALAMATIC N'AYANT PAS EN CHARGE LE GENIE CIVIL, IL EST DE VOTRE RESPONSABILITE DE VOUS ASSURER DE LA RESISTANCE, DE LA STABILITE ET DE LA PLANEITE DE VOS SUPPORT OU SOLS RECEVANTS NOS EQUIPEMENTS, AUX DIFFERENTS EFFORTS ET CONTRAINTES AUQUELS ILS POURAIENT ETRE SOUMIS.

CIVIL ENGINEERING WORKS ARE NOT INCLUDED IN PALAMATIC'S SCOPE OF SUPPLY. IT IS THE CLIENT'S RESPONSIBILITY TO ENSURE THE STABILITY, RESISTANCE AND FLATNESS OF THE STRUCTURES AND TERRAIN ON WHICH, PALAMATIC'S EQUIPMENT WILL BE MOUNTED. THESE STRUCTURES AND TERRAIN MUST BE ABLE TO WITHSTAND THE DIFFERENT LOADS AND CONSTRAINTS BROUGHT ON BY THESE EQUIPMENTS

CE PLAN EST LA PROPRIETE DE LA SOCIETE PALAMATIC - IL NE PEUT ETRE COPIE OU UTILISE SANS AUTORISATION
THIS DRAWING IS THE PROPERTY OF THE COMPANY PALAMATIC - IT CANNOT BE COPIED OR USED WITHOUT AUTHORIZATION

Rue de l'Écolais 02 90 56 20 61
Z.A. de la Croix Rouge
35530 BRECE
CYRIL.PICHARD@PALAMATIC.FR



Designation / Name :		Description / Drawn by :	
VIDE SAC CONFINEE		PICHARD	
Description :		Ref. Dossier / Project reference :	
SACKTIP SECOMPDEP 800			

22-03-19	A	DIFFUSION	CYP	Format / Echelle / Scale :	N° Plan / Drawing number :	REV: A 4
DATE	REV	OBSERVATION	REVISER / REVISER	A3 1:20		4

1 2 3 4 5 6 7 8