

Table de nomenclature			
REP.	DESIGNATION (FR)	DESIGNATION (ENGLISH)	QTE
1	BOMBONNE DE DECOLMATAGE	UNCLOGGING TANK	1
2	CORPS CYCLONE	BODY	1
3	VANNE DE MISE A L'AIR	VALVE FOR VENTING	1
4	SONDE DE NIVEAU	HIGHT LEVEL PROBE	1
5	VIBREUR PNEUMATIQUE	PNEUMATIC VIBRATOR	1
6	VANNE DE VIDANGE PRODUIT	OUTLET PRODUCT VALVE	1
7	TUYAU TIRAGE DU VIDE	VACUUM PIPE	1
8	VANNE TIRAGE DU VIDE	VACUUM VALVE	1
9	VANNE ENTREE PRODUIT	INLET PRODUCT VALVE	1
10	TUBE ENTREE PRODUIT	INLET PRODUCT PIPE	1
11	BOITE DE JONCTION ELECTRIQUE	JUNCTION ELECTRICAL BOX	1
12	FILTRE REGULATEUR PNEUMATIQUE	PNEUMATIC REGULATOR FILTER	1
13	CARTOUCHE FILTRANTE FLPAL	REMOVABLE FILTERING CARTRIDGE	1
14	VOLUME PRODUIT 25L MAXIMUM	PRODUCT VOLUME 25 LITER MAXIMUM	

POIDS APPROXIMATIF / APPROXIMATE WEIGHT : 130 kg SANS PRODUITS / WITHOUT PRODUCTS

DIMENSION : [inch] / mm PLAN D'INFORMATION / INFORMATION DRAWING

PALAMATIC N'AYANT PAS EN CHARGE LE GENIE CIVIL, IL EST DE VOTRE RESPONSABILITE DE VOUS ASSURER DE LA RESISTANCE, DE LA STABILITE ET DE LA PLANEITE DE VOS SUPPORT OU SOLS RECEVANTS NOS EQUIPEMENTS, AUX DIFFERENTS EFFORTS ET CONTRAINTES AUQUELS ILS POURAIENT ETRE SOUMIS.

CE PLAN EST LA PROPRIETE DE LA SOCIETE PALAMATIC - IL NE PEUT ETRE COPIE OU UTILISE SANS AUTORISATION
THIS DRAWING IS THE PROPERTY OF THE COMPANY PALAMATIC - IT CANNOT BE COPIED OR USED WITHOUT AUTHORIZATION

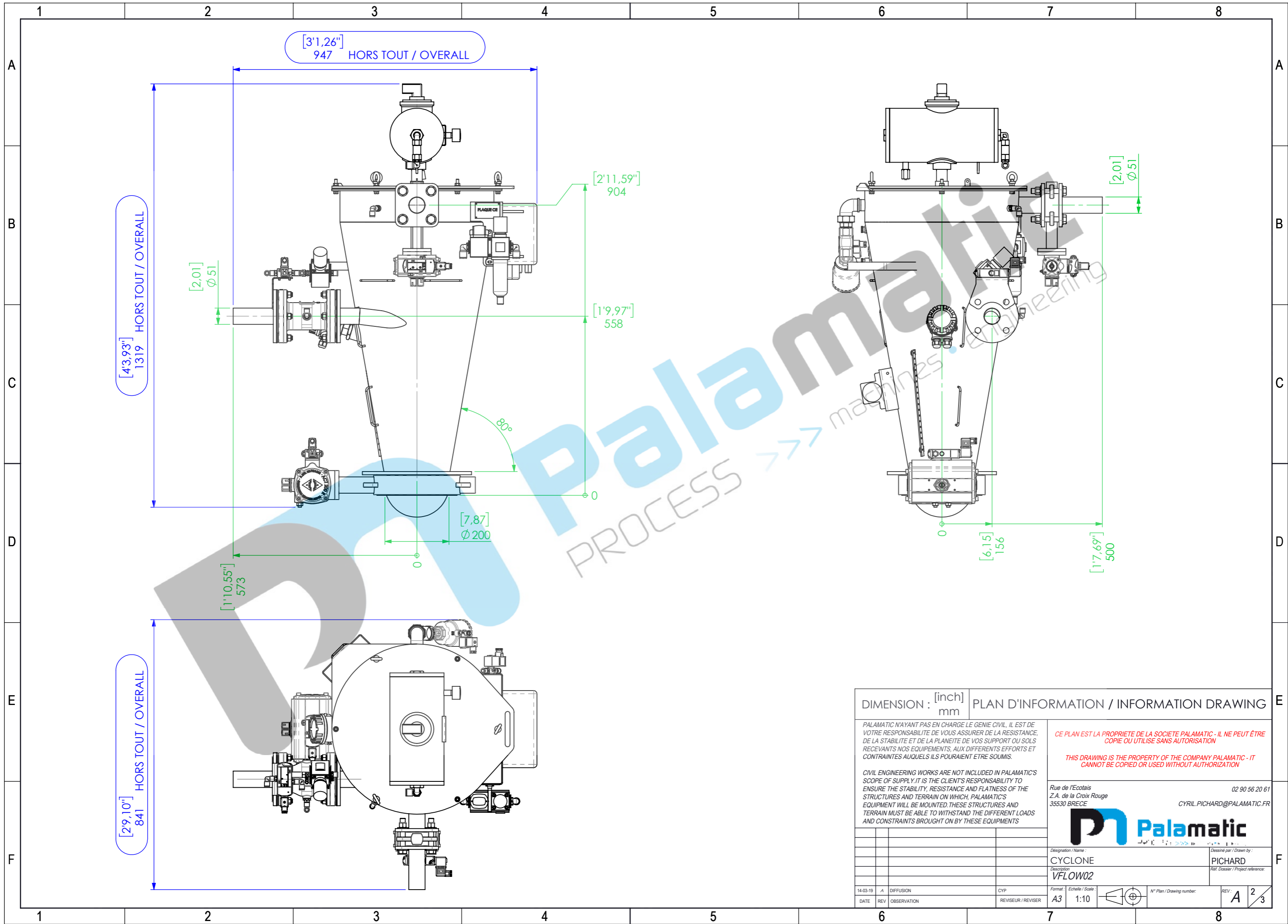
CIVIL ENGINEERING WORKS ARE NOT INCLUDED IN PALAMATIC'S SCOPE OF SUPPLY. IT IS THE CLIENT'S RESPONSIBILITY TO ENSURE THE STABILITY, RESISTANCE AND FLATNESS OF THE STRUCTURES AND TERRAIN ON WHICH, PALAMATIC'S EQUIPMENT WILL BE MOUNTED. THESE STRUCTURES AND TERRAIN MUST BE ABLE TO WITHSTAND THE DIFFERENT LOADS AND CONSTRAINTS BROUGHT ON BY THESE EQUIPMENTS

Rue de l'Ecotais 02 90 56 20 61
Z.A. de la Croix Rouge
35530 BRECE
CYRIL.PICHARD@PALAMATIC.FR



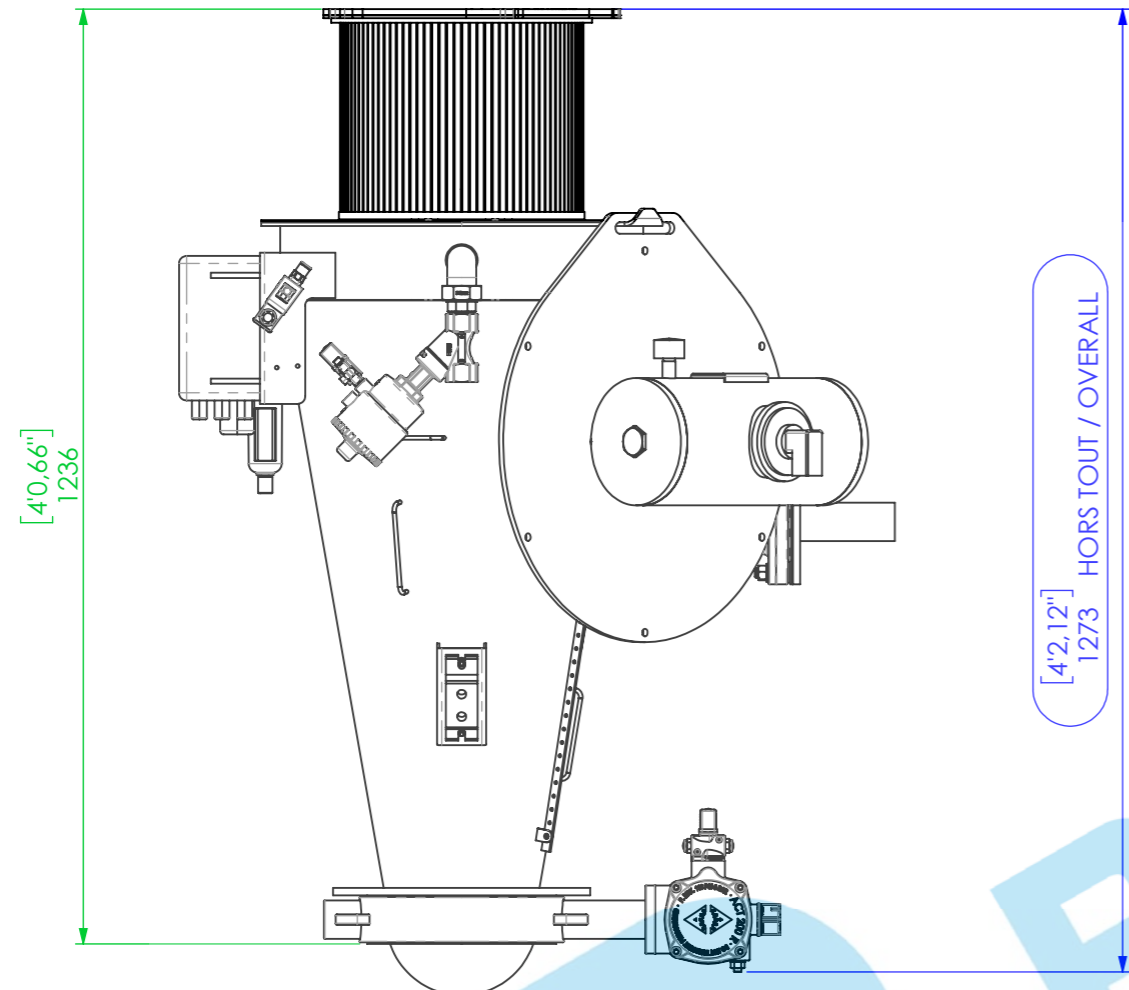
14-03-19	A	DIFFUSION	CYP	Format / Echelle / Scale	A3	1:7	N° Plan / Drawing number	REV: A 1/3
DATE	REV	OBSERVATION	REVISER / REVISER					

Designation / Name : CYCLONE
Description : VFLOW02
Dessiné par / Drawn by : PICHARD
Ref. Dossier / Project reference :

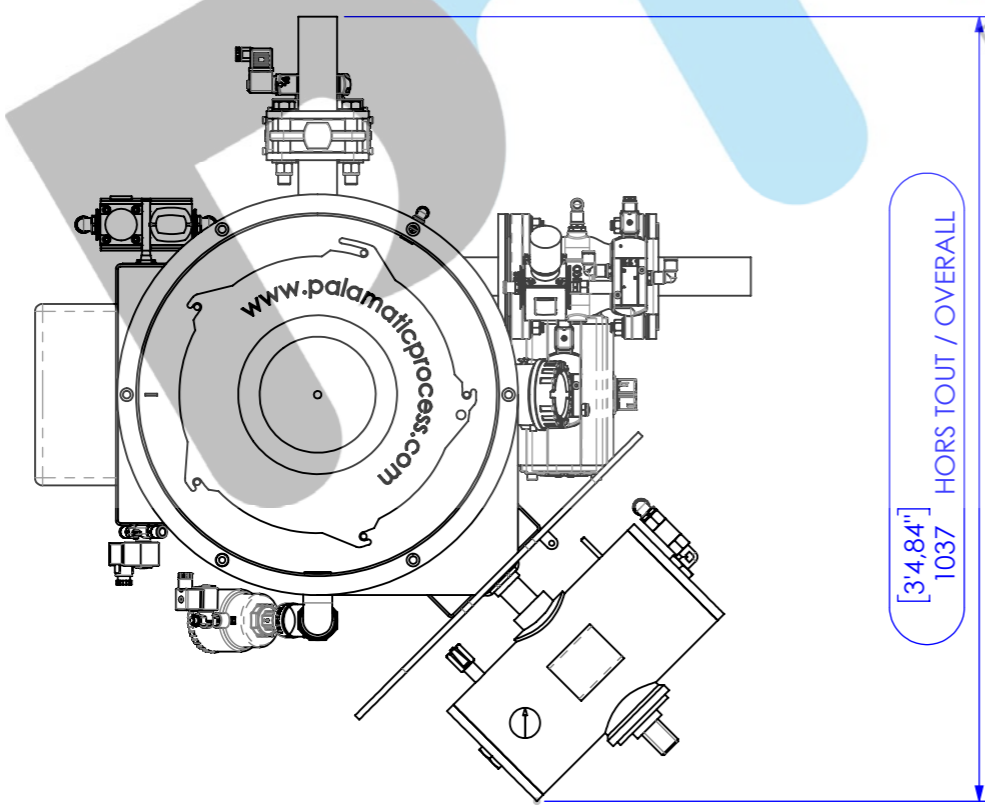


DIMENSION : [inch] mm		PLAN D'INFORMATION / INFORMATION DRAWING	
<p>PALAMATIC N'AYANT PAS EN CHARGE LE GENIE CIVIL, IL EST DE VOTRE RESPONSABILITE DE VOUS ASSURER DE LA RESISTANCE, DE LA STABILITE ET DE LA PLANEITE DE VOS SUPPORT OU SOLS RECEVANTS NOS EQUIPEMENTS, AUX DIFFERENTS EFFORTS ET CONTRAINTES AUQUELS ILS POURAIENT ETRE SOUMIS.</p> <p>CIVIL ENGINEERING WORKS ARE NOT INCLUDED IN PALAMATIC'S SCOPE OF SUPPLY. IT IS THE CLIENT'S RESPONSIBILITY TO ENSURE THE STABILITY, RESISTANCE AND FLATNESS OF THE STRUCTURES AND TERRAIN ON WHICH, PALAMATIC'S EQUIPMENT WILL BE MOUNTED. THESE STRUCTURES AND TERRAIN MUST BE ABLE TO WITHSTAND THE DIFFERENT LOADS AND CONSTRAINTS BROUGHT ON BY THESE EQUIPMENTS</p>		<p>CE PLAN EST LA PROPRIETE DE LA SOCIETE PALAMATIC - IL NE PEUT ETRE COPIE OU UTILISE SANS AUTORISATION</p> <p>THIS DRAWING IS THE PROPERTY OF THE COMPANY PALAMATIC - IT CANNOT BE COPIED OR USED WITHOUT AUTHORIZATION</p>	
<p>Rue de l'Écolais Z.A. de la Croix Rouge 35530 BRECE</p>		<p>02 90 56 20 61 CYRIL.PICHARD@PALAMATIC.FR</p>	
<p>Designation / Name : CYCLONE</p>		<p>Dessiné par / Drawn by : PICHARD</p>	
<p>Description VFLOW02</p>		<p>Ref. Dossier / Project reference:</p>	
14-03-19	A	DIFFUSION	CYP
DATE	REV	OBSERVATION	REVISER / REVISER
Format : Echelle / Scale : A3 1:10		N° Plan / Drawing number: REV: A 2 / 3	

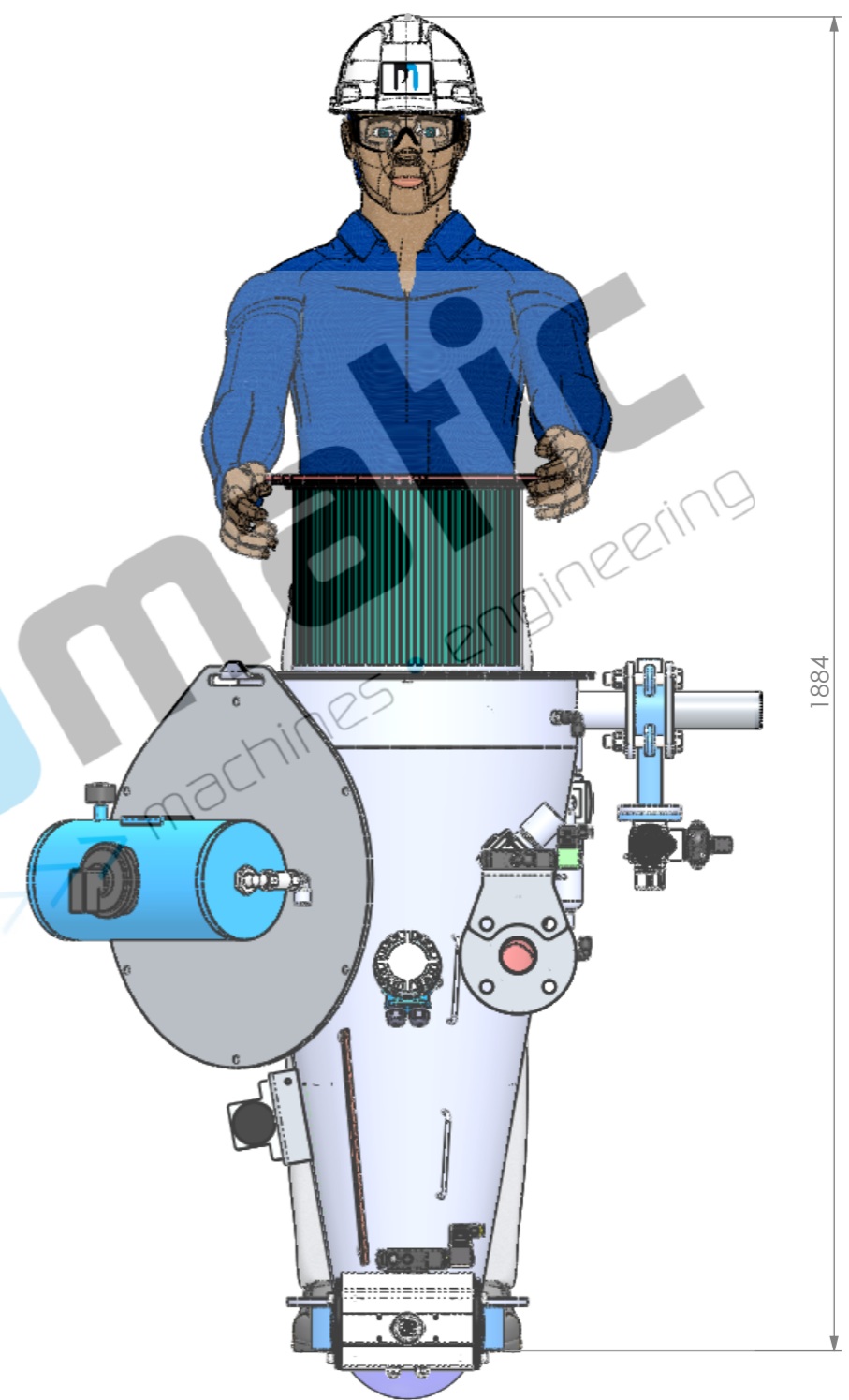
ENTRETIEN FILTRE / FILTER MAINTENANCE :



[4'2,12"]
1273 HORS TOUT / OVERALL



[3'4,84"]
1037 HORS TOUT / OVERALL



1884

DIMENSION : [inch] / mm PLAN D'INFORMATION / INFORMATION DRAWING

PALAMATIC N'AYANT PAS EN CHARGE LE GENIE CIVIL, IL EST DE VOTRE RESPONSABILITE DE VOUS ASSURER DE LA RESISTANCE, DE LA STABILITE ET DE LA PLANEITE DE VOS SUPPORT OU SOLS RECEVANTS NOS EQUIPEMENTS, AUX DIFFERENTS EFFORTS ET CONTRAINTES AUQUELS ILS POURAIENT ETRE SOUMIS.

CIVIL ENGINEERING WORKS ARE NOT INCLUDED IN PALAMATIC'S SCOPE OF SUPPLY. IT IS THE CLIENT'S RESPONSIBILITY TO ENSURE THE STABILITY, RESISTANCE AND FLATNESS OF THE STRUCTURES AND TERRAIN ON WHICH, PALAMATIC'S EQUIPMENT WILL BE MOUNTED. THESE STRUCTURES AND TERRAIN MUST BE ABLE TO WITHSTAND THE DIFFERENT LOADS AND CONSTRAINTS BROUGHT ON BY THESE EQUIPMENTS

CE PLAN EST LA PROPRIETE DE LA SOCIETE PALAMATIC - IL NE PEUT ETRE COPIE OU UTILISE SANS AUTORISATION
THIS DRAWING IS THE PROPERTY OF THE COMPANY PALAMATIC - IT CANNOT BE COPIED OR USED WITHOUT AUTHORIZATION

Rue de l'Écolais 02 90 56 20 61
Z.A. de la Croix Rouge 35530 BRECE
CYRIL.PICHARD@PALAMATIC.FR



14-03-19		A	DIFFUSION	CYP	Format / Echelle / Scale:		N° Plan / Drawing number:	REV: A 3 / 3
DATE	REV	OBSERVATION	REVISER / REVISER	A3	1:10			

Designation / Name : CYCLONE
Description : VFLOW02
Dessiné par / Drawn by : PICHARD
Ref. Dossier / Project reference: