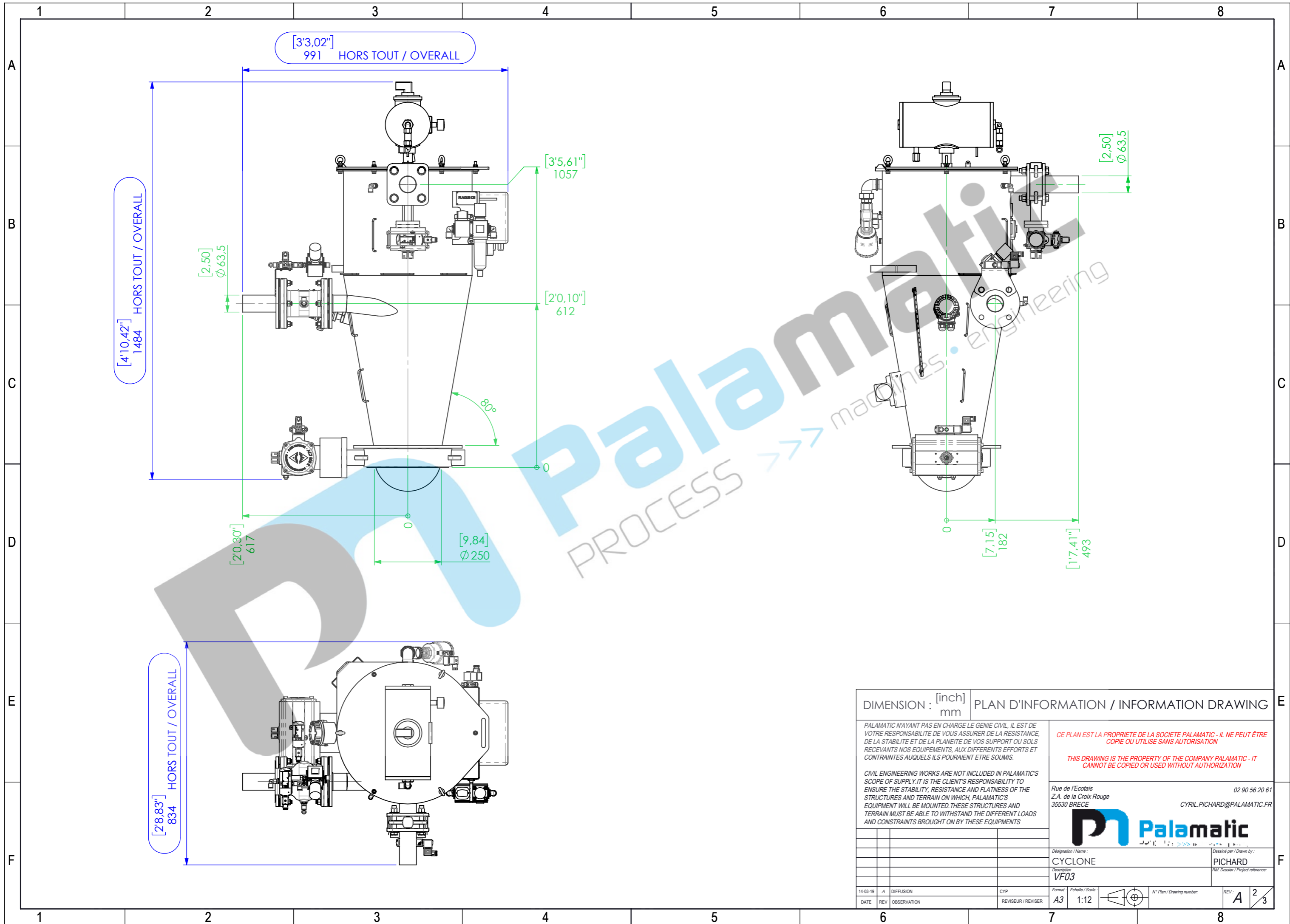


Table de nomenclature			
REP.	DESIGNATION (FR)	DESIGNATION (ENGLISH)	QTE
1	BOMBONNE DE DECOLMATAGE	UNCLOGGING TANK	1
2	VANNE DE MISE A L'AIR	VALVE FOR VENTING	1
3	CORPS CYCLONE	BODY	1
4	SONDE DE NIVEAU	HIGHT LEVEL PROBE	1
5	VIBREUR PNEUMATIQUE	PNEUMATIC VIBRATOR	1
6	VANNE DE VIDANGE PRODUIT	OUTLET PRODUCT VALVE	1
7	TUYAU TIRAGE DU VIDE	VACUUM PIPE	1
8	VANNE TIRAGE DU VIDE	VACUUM VALVE	1
9	VANNE ENTREE PRODUIT	INLET PRODUCT VALVE	1
10	TUBE ENTREE PRODUIT	INLET PRODUCT PIPE	1
11	BOITE DE JONCTION ELECTRIQUE	JUNCTION ELECTRICAL BOX	1
12	FILTRE REGULATEUR PNEUMATIQUE	PNEUMATIC REGULATOR FILTER	1
13	CARTOUCHE FILTRANTE FLPAL	REMOVABLE FILTERING CARTRIDGE	1
14	VOLUME PRODUIT 40L MAXIMUM	PRODUCT VOLUME 40 LITER MAXIMUM	1

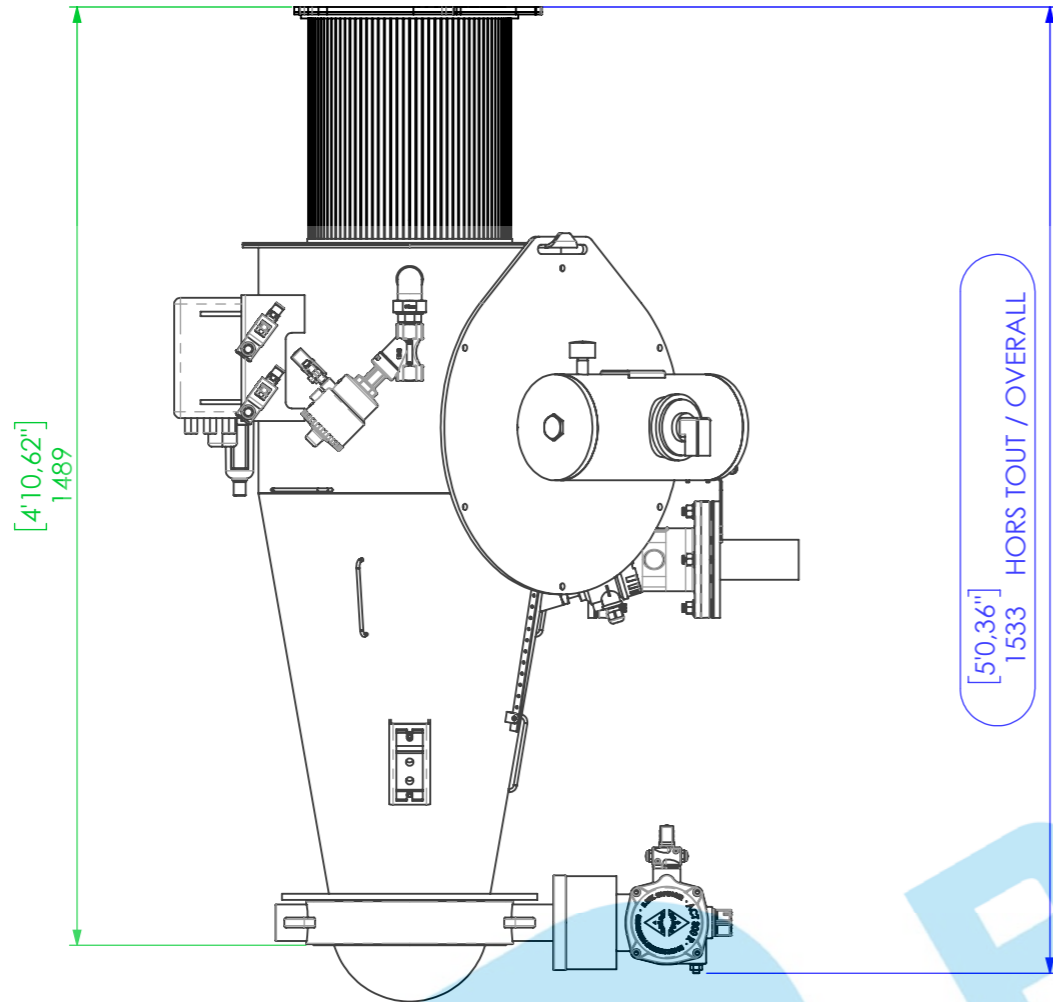
POIDS APROXIMATIF / APPROXIMATE WEIGHT : 165 kg SANS PRODUITS / WITHOUT PRODUCTS

DIMENSION : [inch] mm		PLAN D'INFORMATION / INFORMATION DRAWING	
<p>PALAMATIC N'AYANT PAS EN CHARGE LE GENIE CIVIL, IL EST DE VOTRE RESPONSABILITE DE VOUS ASSURER DE LA RESISTANCE, DE LA STABILITE ET DE LA PLANEITE DE VOS SUPPORT OU SOLS RECEVANTS NOS EQUIPEMENTS, AUX DIFFERENTS EFFORTS ET CONTRAINTES AUQUELS ILS POURAIENT ETRE SOUMIS.</p> <p>CIVIL ENGINEERING WORKS ARE NOT INCLUDED IN PALAMATIC'S SCOPE OF SUPPLY. IT IS THE CLIENT'S RESPONSIBILITY TO ENSURE THE STABILITY, RESISTANCE AND FLATNESS OF THE STRUCTURES AND TERRAIN ON WHICH, PALAMATIC'S EQUIPMENT WILL BE MOUNTED. THESE STRUCTURES AND TERRAIN MUST BE ABLE TO WITHSTAND THE DIFFERENT LOADS AND CONSTRAINTS BROUGHT ON BY THESE EQUIPMENTS</p>		<p>CE PLAN EST LA PROPRIETE DE LA SOCIETE PALAMATIC - IL NE PEUT ETRE COPIE OU UTILISE SANS AUTORISATION</p> <p>THIS DRAWING IS THE PROPERTY OF THE COMPANY PALAMATIC - IT CANNOT BE COPIED OR USED WITHOUT AUTHORIZATION</p>	
<p>Rue de l'Ecotais Z.A. de la Croix Rouge 35530 BRECE</p>		<p>02 90 56 20 61 CYRIL.PICHARD@PALAMATIC.FR</p>	
<p>Designation / Name : CYCLONE</p>		<p>Dessiné par / Drawn by : PICHARD</p>	
<p>Date : 14-03-19</p>		<p>Ref. Dossier / Project reference: VF03</p>	
<p>Format : A3</p>		<p>Echelle / Scale : 1:8</p>	
<p>DATE</p>		<p>N° Plan / Drawing number</p>	
<p>REV</p>		<p>REVISIONS</p>	
<p>OBSERVATION</p>		<p>REVISER / REVISER</p>	
		<p>REV: A 1/3</p>	

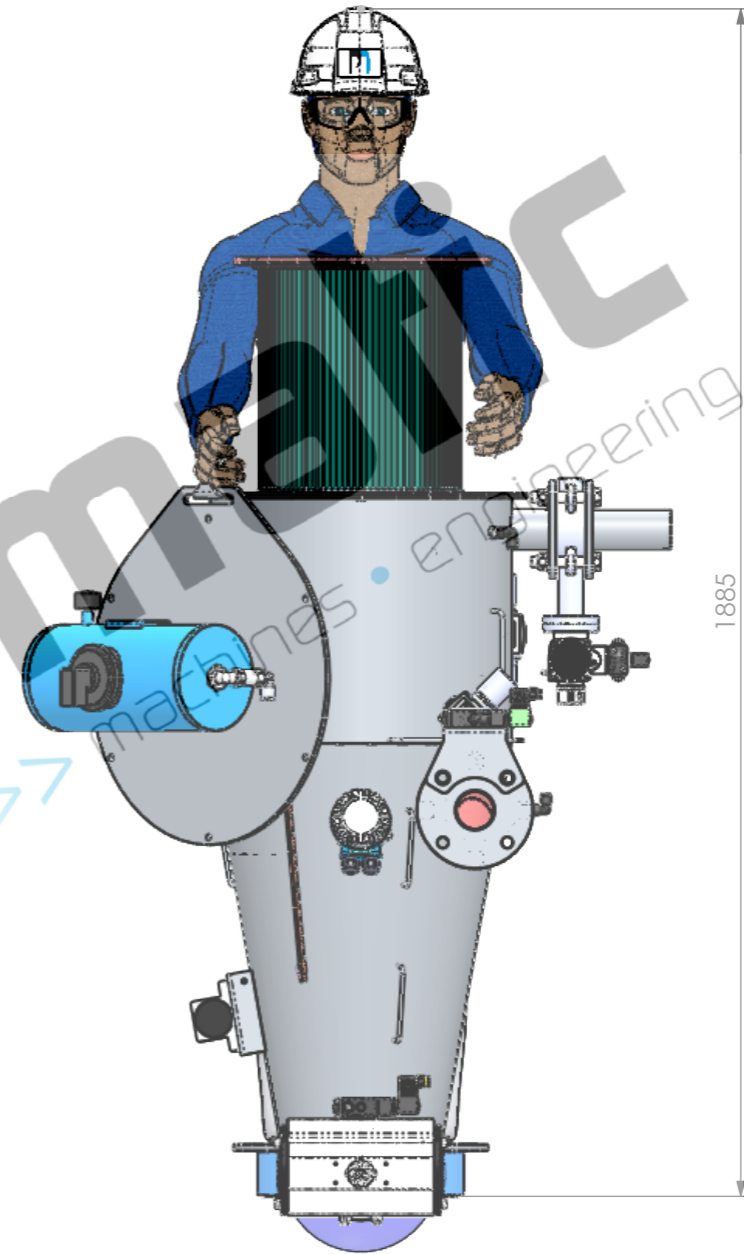


DIMENSION : [inch] mm		PLAN D'INFORMATION / INFORMATION DRAWING	
<p>PALAMATIC N'AYANT PAS EN CHARGE LE GENIE CIVIL, IL EST DE VOTRE RESPONSABILITE DE VOUS ASSURER DE LA RESISTANCE, DE LA STABILITE ET DE LA PLANEITE DE VOS SUPPORT OU SOLS RECEVANTS NOS EQUIPEMENTS, AUX DIFFERENTS EFFORTS ET CONTRAINTES AUQUELS ILS POURAIENT ETRE SOUMIS.</p> <p>CIVIL ENGINEERING WORKS ARE NOT INCLUDED IN PALAMATIC'S SCOPE OF SUPPLY. IT IS THE CLIENT'S RESPONSIBILITY TO ENSURE THE STABILITY, RESISTANCE AND FLATNESS OF THE STRUCTURES AND TERRAIN ON WHICH, PALAMATIC'S EQUIPMENT WILL BE MOUNTED. THESE STRUCTURES AND TERRAIN MUST BE ABLE TO WITHSTAND THE DIFFERENT LOADS AND CONSTRAINTS BROUGHT ON BY THESE EQUIPMENTS</p>		<p>CE PLAN EST LA PROPRIETE DE LA SOCIETE PALAMATIC - IL NE PEUT ETRE COPIE OU UTILISE SANS AUTORISATION</p> <p>THIS DRAWING IS THE PROPERTY OF THE COMPANY PALAMATIC - IT CANNOT BE COPIED OR USED WITHOUT AUTHORIZATION</p>	
<p>Rue de l'Écolais Z.A. de la Croix Rouge 35530 BRECE</p>		<p>02 90 56 20 61 CYRIL.PICHARD@PALAMATIC.FR</p>	
<p>Designation / Name : CYCLONE</p>		<p>Dessiné par / Drawn by : PICHARD</p>	
<p>Description VF03</p>		<p>Ref. Dossier / Project reference:</p>	
14-03-19	A	DIFFUSION	CYP
DATE	REV	OBSERVATION	REVISUR / REVISER
<p>Format : Echelle / Scale : A3 1:12</p>		<p>N° Plan / Drawing number: A 2 / 3</p>	

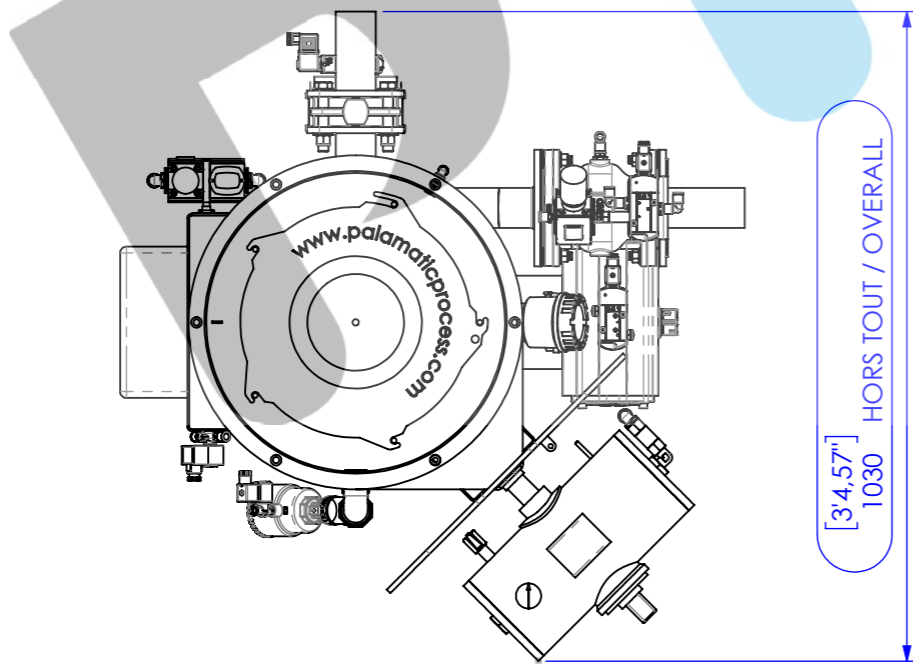
**ENTRETIEN FILTRE / FILTER MAINTENANCE :**



[50,36"]  
1533 HORS TOUT / OVERALL



1885



[3'4,57"]  
1030 HORS TOUT / OVERALL

DIMENSION : [inch] / mm PLAN D'INFORMATION / INFORMATION DRAWING

PALAMATIC N'AYANT PAS EN CHARGE LE GENIE CIVIL, IL EST DE VOTRE RESPONSABILITE DE VOUS ASSURER DE LA RESISTANCE, DE LA STABILITE ET DE LA PLANEITE DE VOS SUPPORT OU SOLS RECEVANTS NOS EQUIPEMENTS, AUX DIFFERENTS EFFORTS ET CONTRAINTES AUQUELS ILS POURAIENT ETRE SOUMIS.

CIVIL ENGINEERING WORKS ARE NOT INCLUDED IN PALAMATIC'S SCOPE OF SUPPLY. IT IS THE CLIENT'S RESPONSIBILITY TO ENSURE THE STABILITY, RESISTANCE AND FLATNESS OF THE STRUCTURES AND TERRAIN ON WHICH, PALAMATIC'S EQUIPMENT WILL BE MOUNTED. THESE STRUCTURES AND TERRAIN MUST BE ABLE TO WITHSTAND THE DIFFERENT LOADS AND CONSTRAINTS BROUGHT ON BY THESE EQUIPMENTS

CE PLAN EST LA PROPRIETE DE LA SOCIETE PALAMATIC - IL NE PEUT ETRE COPIE OU UTILISE SANS AUTORISATION

THIS DRAWING IS THE PROPERTY OF THE COMPANY PALAMATIC - IT CANNOT BE COPIED OR USED WITHOUT AUTHORIZATION

Rue de l'Écolais 02 90 56 20 61  
Z.A. de la Croix Rouge 35530 BRECE  
CYRIL.PICHARD@PALAMATIC.FR



14-03-19		A	DIFFUSION	CYP	Format / Echelle / Scale:		N° Plan / Drawing number:		REV: A 3
DATE	REV	OBSERVATION	REVISUR / REVISER	A3	1:12				3

Designation / Name : CYCLONE  
Description : VF03  
Dessiné par / Drawn by : PICHARD  
Ref. Dossier / Project reference: